



**NATIONAL INTELLECTUAL PROPERTY CENTER OF GEORGIA
SAKPATENTI**

**OFFICIAL BULLETIN
OF THE INDUSTRIAL PROPERTY**

18(454)

**2016
TBILISI**

INID CODES FOR IDENTIFICATION OF BIBLIOGRAPHIC DATA

INVENTIONS, UTILITY MODELS

- (10) Number of publication for application, which has been examined
- (11) Number of patent and kind of document
- (21) Serial number of application
- (22) Date of filing of the application
- (23) Date of exhibition or the date of the earlier filing and the number of application, if any
- (24) Date from which patent may have effect
- (31) Number of priority application
- (32) Date of filing of priority application
- (33) Code of the country or regional organization allotting priority application number
- (44) Date of publication of application not granted, but examined and number of bulletin
- (45) Date of publication of registered document
- (51) International Patent Classification Index
- (54) Title of the invention
- (57) Abstract
- (60) Number of examined patent document granted by foreign patent office, date from which patent has effect and country code
- (62) Number of the earlier application and in case of divided application, date of filing an application
- (71) Name, surname and address of applicant (country code)
- (72) Name, surname of inventor (country code)
- (73) Name, surname and address of patent owner (country code)
- (74) Name, surname of representative or patent attorney
- (85) Date of commencement of the national phase of International Application
- (86) Number and date of filing of international application
- (87) Number and date of publication of international application

DESIGNS

- (10) Number of publication for application
- (11) Number of patent and kind of document or number of registration
- (15) Date of registration/Date of patent renewal
- (18) Expected expiration date of patent or registration
- (21) Serial number of application
- (22) Date of filing of the application
- (23) Date of exhibition or the date of the earlier filing and the number of application, if any
- (24) Date from which patent may have effect
- (28) Number of designs included in the application
- (30) Data relating to priority (number of application, date of filing of application, two-letter code identifying the authority with whom the priority application was made)
- (31) Number of priority application
- (32) Date of filing of priority application
- (33) Code of the country or regional organization allotting priority application number
- (34) Two-letter code according to WIPO St.3 identifying the authority with which the priority application was made
- (44) Date of publication of design and number of bulletin (the first publication)
- (45) Date of publication of design registered by WIPO and number of bulletin
- (51) International Classification for designs (class and subclass of the Locarno Classification)
- (54) Title of the invention
- (55) Reproduction of the design
- (57) Description of characteristic features of the design including indication of colors
- (58) Date of recording of any kind of amendment in the Register
- (62) Number of the earlier application, registration and document number and if available the date of filing an application in case of divided application
- (71) Name, surname and address of applicant (country code)
- (72) Name, surname of creator (country code)
- (73) Name, surname and address of patent owner (country code)
- (74) Name, surname of representative or patent attorney
- (81) Contracting states concerned
 - II designated contracting states according to the 1960 Act
 - III designated contracting states according to the 1999 Act
- (85) Owner's permanent address
- (86) Owner's nationality
- (87) Owner's residence
- (88) State in which the owner has a real and effective industrial or commercial establishment

TRADEMARKS

- (111) - Number of registration
- (151) - Date of registration
- (156) - Date of the renewal
- (181) - Expected expiration date of registration
- (186) - Renewal expiration date of registration
- (141) - Date of cancel of duration of the mark
- (210) - Serial number of application
- (220) - Date of filing of the application
- (230) - Date concerning exhibition
- (260) - Number of application, for which favorable decision of examination about registration has been taken (publication number)
- (310) - Number of the first application
- (320) - Date of filing of the first application
- (330) - Code, identifying national or regional Office where the first application was made
- (511) - International Classification of Goods and Services for the purposes of registration of trade marks and/or list of goods and/or services classified according thereto
- (531) - Description of figurative elements of Trade Marks according to the International Classification of the Figurative Elements of Marks
- (540) - Reproduction of Trade Mark
- (550) - Nature and kind of Trade Mark
- (580) - Date of recording of any kind changes in respect of applications or registrations
- (591) - Information concerning colors claimed
- (731) - Name and address of the applicant
- (732) - Name and address of the holder of the registration
- (740) - Name and address of the representative
- (750) - Address for correspondence
- (770) - Name and address of the previous applicant or holder in case of change in ownership
- (771) - Previous name and address of the applicant or holder in case of change in ownership
- (791) - Name and address of the licensee
- (793) - Indication of conditions and/or restrictions under the license (Type of license, number of license agreement, data of license, data of validity of license)
- (800) - Certain data relating to the international registration of Trade Marks under the Protocol Relating to Madrid Agreement (International registration number)

CODES FOR PUBLICATION IN BULLETIN

- (21) AP 0000 000000 - serial number of application for invention
- (10) AP 0000 0000 A - number of published application for invention (first publication)
- (11) P 0000 0000 B - number of patent for invention (second publication)
- (21) API 0000 000000 - number of application for imported patent
- (11) PI 0000 0000 A - number of imported patent (first publication)
- (21) AU 0000 000000 - serial number of application for utility model
- (10) AU 0000 000 U - number of published application for utility model (first publication)
- (11) U 0000 000 Y - number of patent for utility model (second publication)
- (21) AD 0000 000000 - serial number of application for design
- (10) AD 0000 000 S - number of published application for design (first publication)
- (11) D 0000 000 S - number of patent for design (second publication)

INTERNATIONAL PATENT CLASSIFICATION FOR INVENTIONS AND UTILITY MODELS

- SECTION A - HUMAN NECESSITIES
- SECTION B - PERFORMING OPERATIONS; TRANSPORTING
- SECTION C - CHEMISTRY; METALLURGY
- SECTION D - TEXTILES; PAPER
- SECTION E - FIXED CONSTRUCTIONS
- SECTION F - MECHANICAL ENGINEERING; LIGHTING; HEATING; WEAPONS; BLASTING
- SECTION G - PHYSICS
- SECTION H - ELECTRICITY

-
- M - Trade Mark
 - (210) AM 0000 000000 - Serial number of application;
 - (260) AAM 0000 00000 A - Publication number of application;
 - (111) M 0000 00000 R - Number of registration;
 - (111) MMM0000 00000 Rn - Number of renewals, in which n=1,2,3;
 - (111) M 0000 00000 R(P) - Number of registration under partial assignment of rights
-

**NATIONAL INTELLECTUAL PROPERTY CENTER OF GEORGIA
SAKPATENTI**

**OFFICIAL BULLETIN
OF THE INDUSTRIAL PROPERTY**

18(454)

**INVENTIONS
UTILITY MODELS
DESIGNS
TRADEMARKS**

DATE OF PUBLICATION
2016 09 26

CONTENTS

PUBLISHED TITLES OF PROTECTION	3
INVENTIONS	
▪ APPLICATIONS APPROVED FOR GRANTING PATENTS	4
▪ PATENTED INVENTIONS	11
UTILITY MODELS	
▪ APPLICATIONS APPROVED FOR GRANTING PATENTS	14
▪ PATENTED UTILITY MODEL	16
DESIGNS	
▪ REGISTERED DESIGN	17
TRADEMARKS	
▪ APPLICATIONS FILED UNDER THE NATIONAL PROCEDURE APPROVED FOR REGISTRATION	18
▪ REGISTERED TRADEMARKS	21
▪ TRADEMARKS REGISTERED ACCORDING TO THE ACCELERATED PROCEDURE	26
▪ INTERNATIONAL TRADEMARKS FOR WHICH A DECISION ON GANTING PROTECTION IS TAKEN	28
▪ INTERNATIONAL TRADEMARKS PROTECTED IN GEORGIA	116
OFFICIAL NOTIFICATIONS	
INVENTIONS	
▪ COMPLETE TRANSFER OF RIGHTS	122
▪ CHANGES IN NAMES AND/OR ADDRESSES OF PATENTOWNERS	122
▪ RENEWAL OF A PATENT	123
UTILITY MODELS	
▪ RENEWAL OF A PATENTS	124
DESIGNS	
▪ CANCELLED OF REGISTRATION	125
▪ RENEWAL OF INDUSTRIAL DESIGNS PATENTS	125
▪ RENEWAL OF DESIGN REGISTRATION	126
▪ RENEWAL OF PATENTS ON INDUSTRIAL DESIGNS	126
▪ LICENSE AGREEMENT	127
▪ INTERNATIONAL DESIGNS APPLICATION, WHICH WAS REGISTERED ON THE TERRITORY OF GEORGIA	128
TRADEMARKS	
▪ RENEWAL OF REGISTRATIONS	132
▪ COMPLETE TRANSFER OF RIGHTS	140
▪ CHANGES IN NAMES AND/OR ADDRESSES OF OWNERS	141
▪ INVALIDATION OF TRADEMARKS REGISTRATION	145
CLASSIFICATION INDEXES	
INVENTIONS	153
UTILITY MODELS	155
DESIGNS	156
TRADEMARKS	157

PUBLISHED TITLES OF PROTECTION

INVENTIONS

- **APPLICATIONS APPROVED FOR GRANTING PATENTS:**
13790; 13935; 12842; 13558; 13231; 13565; 13020; 13930; 13912; 13378; 13816; 13660; 13820; 13916; 13319;
13131; 12972
- **PATENTED INVENTIONS:**
6542-6549

UTILITY MODELS

- **APPLICATIONS APPROVED FOR GRANTING PATENTS:**
13963; 13993; 13928; 13873; 13885
- **PATENTED UTILITY MODEL:**
1907

DESIGNS

- **REGISTERED DESIGN:**
691

TRADEMARKS

- **APPLICATIONS FILED UNDER THE NATIONAL PROCEDURE APPROVED FOR REGISTRATION:**
84934; 84952; 85083, 85084; 85086; 85109; 85115; 85236, 85237; 85306; 85736; 85749; 85751; 85755; 85763;
85765; 85825; 85887; 85892; 85990; 86130
- **REGISTERED TRADEMARKS:**
27569-27625
- **TRADEMARKS REGISTERED ACCORDING TO THE ACCELERATED PROCEDURE:**
27565-27568; 27626-27632
- **INTERNATIONAL TRADEMARKS FOR WHICH A DECISION ON GRANTING PROTECTIONS IS TAKEN:**
83741; 84239; 84389; 84508; 84567-84569; 84573; 84578; 84582, 84583; 84587, 84588; 84590, 84591; 84595;
84598-84600; 84602; 84605; 84607; 84609-84611; 84615-84619; 84660, 84661; 84668-84671; 84674; 84676,
84677; 84710; 84722-84724; 84727; 84731; 84735-84737; 84739-84741; 84743, 84744; 84760-84762; 84765-
-84767; 84777; 84781; 84785, 84786; 84806-84815; 84817-84823; 84828; 84833; 84835-84844; 84863-84866;
84868-84871; 84873-84876; 84890, 84891; 84913-84915; 84918; 84955; 85009; 85012; 85015; 85028; 85057,
85058; 85062; 85068; 85076, 85077; 85087; 85092; 85096, 85097; 85099-85105; 85147; 85200-85202; 85204,
85205; 85272-85274; 85276; 85312; 85317; 85322; 85373; 85448; 85451, 85452; 85455, 85456; 85458, 85459;
85463; 85593; 85622; 85638-85641; 85707, 85708; 85719; 85801; 85804; 85808; 85876; 85907
- **INTERNATIONAL TRADEMARKS PROTECTED IN GEORGIA:**
83176; 83179; 83182; 83204; 83208; 83355; 83385, 83386; 83439-83443; 83445; 83448, 83449; 83451-83453;
83455; 83466; 83525-83529; 83531; 83533; 83536, 83537; 83539-83541; 83549, 83550; 83552; 83554; 83556;
83558; 83560, 83561; 83565, 83566; 83569-83572; 83604; 83613; 83659; 83661-83670; 83771-83773; 83781;
83844; 83911; 83913; 83965, 83966; 83992; 84002; 84025; 84028, 84029; 84031; 84035, 84036; 84038-84041;
84052

INVENTIONS

APPLICATIONS APPROVED FOR GRANTING PATENTS

The decision can be appealed at the Chamber of Appeal of Sakpatenti within 3 months from the publication or at the Mtskheta District Court Administrative Cases Board (Address: №17, Samkhedro str., Mtskheta), within 1 month following the publication.

PART A

A 01

(10) AP 2016 13790 A (51) Int. Cl. (2006)
A 01 D 46/04
A 01 G 23/00

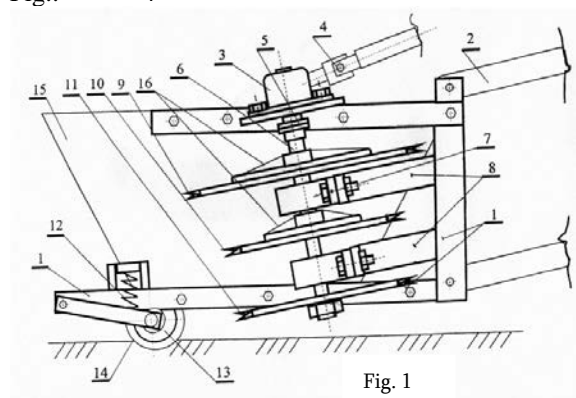
(21) AP 2015 013790 (22) 2015 04 14
(71) LEPL SCIENTIFIC-RESEARCH
CENTER OF AGRICULTURE (GE)
Marshal Gelovanis gamz. 6, 0159, Tbilisi (GE)
(72) Nugzar Ebanoidze (GE);
Vladimer Miruashvili (GE);
Giorgi Kutelia (GE);
Nodar Natenadze (GE)

(54) **TEA BUSH CUTTING-BREAKING
AGREGATE**

(57) An aggregate includes cutting-breaking apparatus having propeller 3 connected to tractor by means of hanging system 2. Cutting labour body of apparatus is executed as disc saws 9-11 installed in tiers on propeller output shaft 6. Disc saws radiuses are decreasing from up to down gradually, above which the oval cutters 16 are disposed for breaking cut mass.

Claims: 1 independent
1 dependent

Fig.: 4



(10) AP 2016 13935 A (51) Int. Cl. (2006)
A 01 D 46/04
A 01 G 23/00

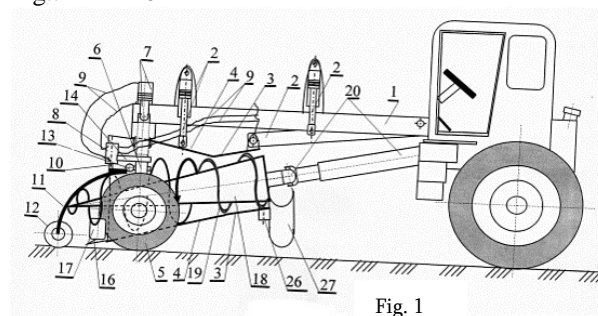
(21) AP 2015 013935 (22) 2015 09 14
(71) LEPL SCIENTIFIC-RESEARCH
CENTER OF AGRICULTURE (GE)
Marshal Gelovanis gamz. 6, 0159, Tbilisi (GE)
(72) Vladimer Miruashvili (GE);
Giorgi Toriashvili (GE).

(54) **BUSH CUTTING-BREAKING
APPARATUS**

(57) An apparatus includes labour body having a propeller, which is executed as cutters fastned to continues chain 16 and conic screw 19 placed behind thereof. The chain is placed in a plate 15 having triangular treadmill and is equipped with individual propeller 17. Rare of conic screw is executed with capability to break cut mass, and is placed in in cylindrical casing 3 whereto the guides 4 are connected creating with casing shape of funnel.

Claims: 1 independent

Fig.: 6



(10) AP 2016 12842 A (51) Int. Cl. (2006)
A 01 H 5/00
C 12 N 15/82
C 12 N 15/29

(21) AP 2011 012842 (22) 2011 01 21
(31) 61/297,641; PCT/US2011/022145
(32) 2010 01 22; 2011 01 21
(33) US; WO
(71) DOW AGROSCIENCES LLC (US)
9330 Zionsville Road, Indianapolis, Indiana
46268 (US)
(72) AINLEY, William, Michael (US);
BLUE, Ryan, C. (US);
MURRAY, Michael, G. (US);

CORBIN, David, Richard (US);
 MILES, Rebecca, Ruth (US);
 WEBB, Steven, R. (CA)

(74) Tamar Kochlamazashvili
 (85) 2012 08 21

(86) PCT/US2011/022145, 2011 01 21

(54) **ENGINEERED LANDING PADS FOR GENE TARGETING IN PLANTS**

(57) A method relates to: transgenic plant producing method providing nucleic acid, by comprising two regions of nucleic acid with lack of sequence homology with genomic DNA of plant cell, and zinc finger nuclease recognition sites, wherein nucleic acid sequence with genomic DNA of plant cell flank zinc finger nuclease recognition sites and nucleic acid molecule stably integrated into genome of plant cell; and plant tissue generation from plant cell, transgenic plant tissue or transgenic plant and seeds produced by transgenic plant, as well.

Claims: 6 independent
 13 dependent

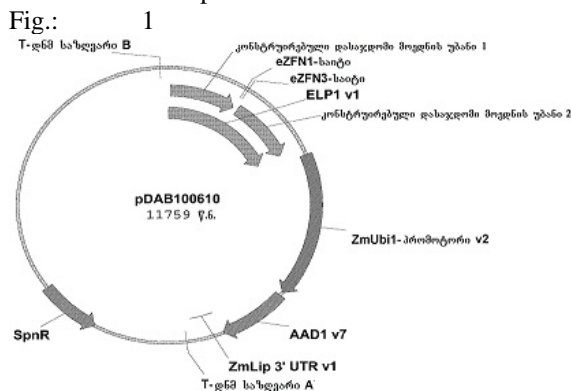


Fig. 1

(10) AP 2016 13558 A (51) Int. Cl. (2006)

A 01 N 25/12
 A 01 N 25/14
 A 01 N 39/02
 A 01 N 43/40
 A 01 N 43/54
 A 01 N 43/76
 A 01 N 43/90
 A 01 N 47/36
 A 01 P 13/00

(21) AP 2013 013558 (22) 2013 01 24

(31) 61/590,388

(32) 2012 01 25

(33) US

(71) DOW AGROSCIENCES LLC (US)
 9330 Zionsville Road, Indianapolis, Indiana
 46268 (US)

(72) DAVE, Hiteshkumar (US);

LIU, Lei (US);

LI, Mei (US);

OUSE, David (US)

(74) Shalva Gvaramadze

(85) 2014 08 22

(86) PCT/US2013/022876, 2013 01 24

(54) **IMPROVED SOLID HERBICIDE COMPOSITIONS WITH BUILT-IN ADJUVANT**

(57) Present invention relates to improved solid herbicidal compositions, such as granules and powders containing built-in adjuvant with improved stability and exhibit acceptable herbicidal efficacy when used to control weeds in flooded rice paddies fields, or cereal crop fields.

Claims: 3 independent
 19 dependent

Table: 5

Fig.: 1

A 61

(10) AP 2016 13231 A (51) Int. Cl. (2006)

A 61 K 9/00

A 61 K 33/04

A 61 P 15/02

(21) AP 2012 013231 (22) 2012 02 16

(31) A201/2011

(32) 2011 02 16

(33) AT

(71) SELO MEDICAL GMBH (AT)

Moosham 29 A-5585 Unternberg (AT)

(72) FUCHS, Norbert (AT)

(74) Larisa Mirkhanyan

(85) 2013 09 16

(86) PCT/AT2012/000032, 2012 02 16

(54) **PHARMACEUTICAL PREPARATION CONTAINING SELENITE OR SELENITE-CONTAINING COMPOUNDS FOR TREATING CERVICAL DYSPLASIA OR CARCINOMAS**

(57) There are described compositions containing selenite-containing compounds and pharmaceutically acceptable acids, selected from citric acid, acetic acid, malic acid, carbonic acid, sulphuric acid, nitric acid, hydrochloric acid, fruit acids or mixtures therefor use at cervical inflammations, dysplasia and/or carcinomas treatment.

Claims: 1 independent
 11 dependent

(10) AP 2016 13565 A (51) Int. Cl. (2006)

A 61 K 31/21

(21) AP 2014 013565 (22) 2014 09 01

(31) a2013135212

(32) 2013 11 20

(33) UA

(71) BIOSCIENCE LTD (GB)

Office 21, *Shepherd Market, London
 W1J7JY (GB)

(72) CHUMASHENKO, Lidia Filipovna (UA)

(74) Shalva Gvaramadze

(54) PHARMACEUTICAL COMPOSITION OF SEDATIVE AND SPASMOLYTIC ACTION IN SOFT GELATIN CAPSULES (VARIATIONS)

(57) An invention relates to pharmaceutical composition of therapeutic agent of sedative and spasmolytic action in soft gelatin capsules, containing α -bromisovaleric acid ethyl ether, additional componentry and menthol solution in isovaleric acid methyl ether.

Claims: 2 independent
2 dependent

(10) AP 2016 13020 A (51) Int. Cl. (2006) A 61 K 31/4745 B 67 B 5/00

(21) AP 2011 013020 (22) 2011 08 05

(31) 61/377,336; 61/376,154; 61/401997; 61/375,580; 61/402,052; 12/875,787; 61/371,137; 61/402,251

(32) 2010 08 26; 2010 08 26; 2010 08 20; 2010 08 20; 2010 08 23; 2010 09 03; 2010 08 05; 2010 08 26

(33) US; US; US; US; US; US; US; US

(71) Medicis Pharmaceutical Corporation (US)
7720 N Dobson Rd., Scottsdale, AZ 85256 (US)

(72) NORDSIEK, Michael, T. (US);
BALAJI, Kodumudi, S. (US)

(74) Tamaz Shilakadze

(85) 2013 03 04

(86) PCT/US2011/046847, 2011 08 05

(54) PUMP SYSTEMS AND METHODS FOR STORING AND DISPENSING A PLURALITY OF PRECISELY MEASURED UNIT-DOSES OF IMIQUIMOD CREAM

(57) An invention relates to airless storage and dosage systems and usage thereof, which contains pre-filled pump with imiquimod cream or dosing package 10 ("pump systems"), wherefrom preliminarily measured multiple dose release is provided.

Claims: 20 independent
38 dependent

Fig.: 13

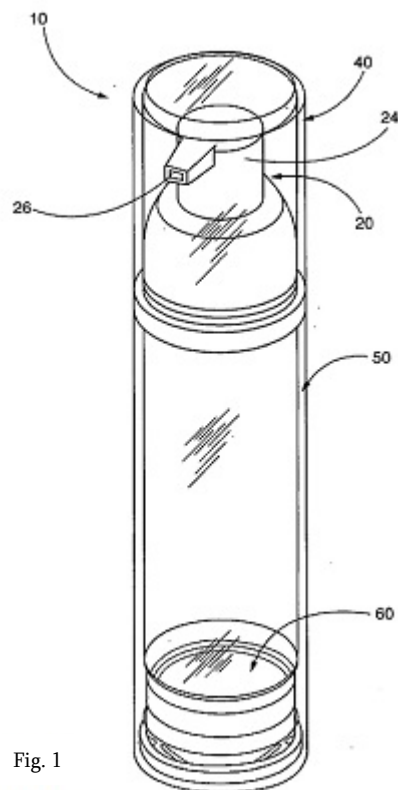


Fig. 1

PART B

B 23

(10) AP 2016 13930 A (51) Int. Cl. (2006) B 23 P 6/00 B 23 K 9/00

(21) AP 2015 013930 (22) 2015 09 09

(71) Jemal Katsitadze (GE)
Ertsos q. 4, b. 138, 0192, Tbilisi (GE);
Vladimer Miruashvili (GE)
Dolidzis q. 132, 0115, Tbilisi (GE);
Giorgi Kutelia (GE)
Nostes q. 7, 0101, Tbilisi (GE)

(72) Jemal Katsitadze (GE);
Vladimer Miruashvili (GE);
Giorgi Kutelia (GE)

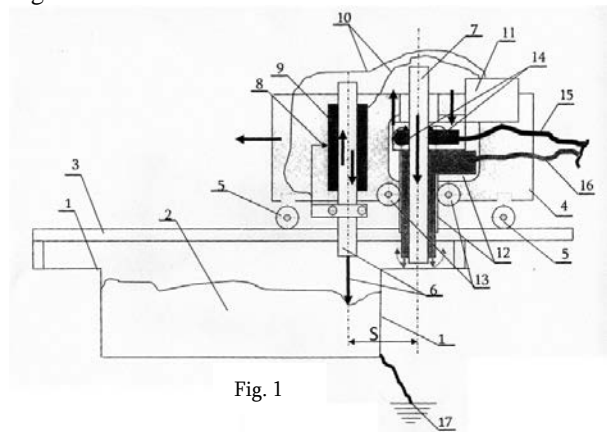
(54) INSTALLATION FOR RIPPERS LIKE DETAILS RENEWAL

(57) An installation includes a frame 1 with renewal detail 2 fastened thereon and welder device having automatic control system. Welder device is a carriage 4 installed movable reciprocal-advance on frame treadmills 3, whereon guide block 6 and electrode 7 are placed. Control system is capable of received from detail the signal later supplement to carriage and electrode supplier propellers, and includes variable impedance rheostat 9 connected

to guide block and switched to said propellers feed system.

Claims: 1 independent

Fig.: 2



PART C

C 04

(10) AP 2016 13912 A (51) Int. Cl. (2006)

C 04 B 14/04

C 04 B 14/10

C 04 B 14/20

C 04 B 28/04

B 28 B 3/006

C 04 B 111/20

C 04 B 111/27

(21) AP 2015 013912 (22) 2015 08 17

(71) LEPL LEVAN SAMKHARAULI
LEGAL EXPERTISE BUREAU (GE)
I. Chavchavadzis Gamz. 84, 0162, Tbilisi (GE)

(72) Razhden Skhvtaridze (GE);
Giorgi Tsintskaladze (GE);
Bela Keshelava (GE);
Malkhaz Turdzeladze (GE)

(74) Liana Chumburidze (GE);
Nino Tsiklauri (GE)

(54) METHOD FOR HIGH STRENGTH CONCRETE PRODUCTION

(57) A method for high strength concrete production provides mountain rock containing aluminosilicate mechanical activation in such level that watershed nano channels and emptiness would be maintained, and mix with concret componentry is executed with 5-15 % of calculated for 1 m³ volume concrete preparation the shingle mass used as filler.

Claims: 1 independent

Table: 1

C 07

(10) AP 2016 13378 A (51) Int. Cl. (2006)

C 07 D 213/26

C 07 D 213/30

C 07 D 213/40

C 07 D 213/61

C 07 D 213/64

C 07 D 213/71

C 07 D 213/74

C 07 D 213/78

C 07 D 405/12

C 07 D 491/04

A 61 K 31/44

A 61 K 31/4355

A 61 K 31/436

A 61 K 31/505

A 61 P 25/00

(21) AP 2012 013378 (22) 2012 07 06

(31) PA20110520; 61/505,847

(32) 2011 07 08; 2011 07 08

(33) DK; US

(71) H. LUNDBECK A/S (DK)
Ottiliavej 9 DK-2500 Valby (DK)

(72) ESKILDSEN, Jørgen (DK);
SAMS, Anette Graven (DK);
PÜSCHL, Ask (DK)

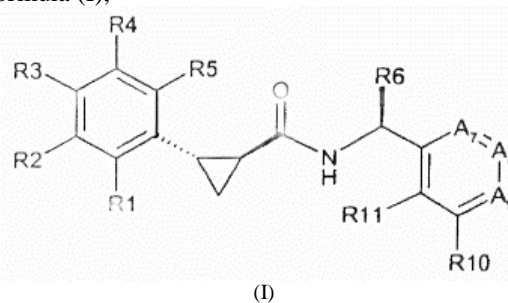
(74) Shalva Gvaramadze

(85) 2014 02 05

(86) PCT/EP2012/063219, 2012 07 06

(54) POSITIVE ALLOSTERIC MODULATORS OF NICOTINIC ACETYLCHOLINE RECEPTOR

(57) An invention relates to compounds of formula (I),



(I)

referred to positive allosteric modulators (PAMs) of nicotinic acetylcholine $\alpha 7$ receptor, compositions containing them, and usage thereof the therapy.

Claims: 12 independent

9 dependent

Table: 1

(10) AP 2016 13816 A (51) Int. Cl. (2006)

C 07 D 401/04

A 61 K 31/4155

A 61 K 31/454

A 61 P 29/00

A 61 P 35/00

- (21) AP 2013 013816 (22) 2013 11 01
 (31) 61/721,920; 61/772,028
 (32) 2012 11 02; 2013 03 04
 (33) US; US
 (71) PFIZER INC. (US)
 235 East 42nd Street New York, New York
 10017 (US)
 (72) SPRINGER, John Robert (US);
 DEVADAS, Balekudru (US);
 GARLAND, Danny James (US);
 GRAPPERHAUS, Margaret Lanahan (US);
 HAN, Seungil (US);
 HOCKERMAN, Susan Landis (US);
 HUGHES, Robert Owen (US);
 SAIAH, Eddine (US);
 SCHNUTE, Mark Edward (US);
 SELNESS, Shaun Raj (US);
 WALKER, Daniel Patrick (US);
 WAN, Zhao-Kui (US);
 XING, Li (US);
 ZAPF, Christoph Wolfgang (US);
 SCHMIDT, Michelle, Ann (US)

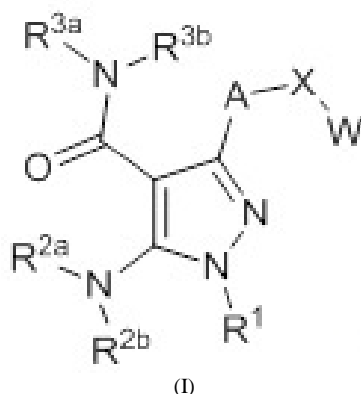
(74) Tamar Kochlamazashvili

(85) 2015 05 01

(86) PCT/IB2013/059846, 2013 11 01

(54) **BRUTON'S TYROSINE KINASE
 INHIBITORS**

(57) An invention relates to pyrazole carboxamide derivatives of formula (I),



used as Bruton's tyrosine kinase (BTK) inhibitors; and pharmaceutical compositions containing them, and usage thereof autoimmune and autoimmune diseases, and cancer treatment, as well.

Claims: 11 independent
 17 dependent

(10) AP 2016 13660 A (51) Int. Cl. (2006)
 C 07 D 413/12
 A 61 K 31/422
 A 61 P 33/00
 A 61 P 31/00

(21) AP 2013 013660 (22) 2013 03 13
 (31) 12167640.7
 (32) 2012 05 11
 (33) EP

- (71) POLICHEM S.A. (LU)
 50, Val Fleuri L-1526 Luxembourg (LU)
 (72) GAGLIARDI, Stefania (IT);
 CONSONNI, Alessandra (IT);
 MAILLAND, Federico (IT);
 BULGHERONI, Anna (IT)

(74) Aleksandre Gegechkori

(85) 2014 12 10

(86) PCT/EP2013/055078, 2013 03 13

(54) **(R) -NIFURATEL, ITS USE FOR THE
 TREATMENT OF INFECTIONS AND
 SYNTHESIS OF (R) AND (S) -
 NIFURATEL**

(57) (R)-nifuratel, preparation method thereof, pharmaceutical compositions on basis thereof, and usage thereof infection treatment.

Claims: 4 independent
 17 dependent

Table: 5

Fig.: 2

(10) AP 2016 13820 A (51) Int. Cl. (2006)
 C 07 D 471/04
 A 61 K 31/437

(21) AP 2013 013820 (22) 2013 10 30

(31) 61/723,995

(32) 2012 11 08

(33) US

(71) PFIZER INC. (US)

235 East 42nd Street New York, New York
 10017 (US)

- (72) DAVOREN, Jennifer E. (US);
 DOUNAY, Amy Beth (US);
 EFREMOV, Ivan V. (US);
 GRAY, David L. F. (US);
 MENTE, Scot R. (US);
 O'NEIL, Steven V. (US);
 ROGERS, Bruce N. (US);
 SUBRAMANYAM, Chakrapan (US);
 ZHANG, Lei (US)

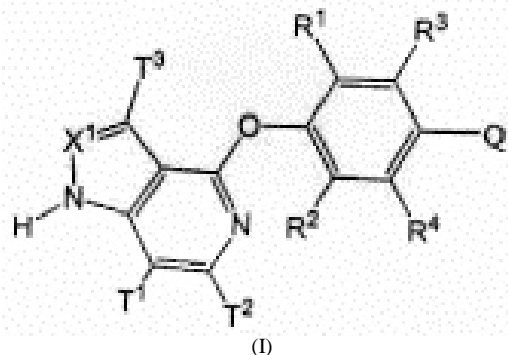
(74) Tamar Kochlamazashvili

(85) 2015 05 07

(86) PCT/IB2013/059768, 2013 10 30

(54) **HETEROAROMATIC COMPOUNDS AS
 DOPAMINE D1 LIGANDS**

(57) Compound of formula (I),



pharmaceutical compositions on basis thereof, and usage thereof D1-mediated (or D1-associated) disorders treatment.

Claims: 3 independent
25 dependent

Table: 4

(10) AP 2016 13916 A **(51) Int. Cl. (2006)**
C 07 D 487/04
A 61 K 31/519
C 07 D 519/00
A 61 P 37/00

(21) AP 2014 013916 (22) 2014 02 11

(31) 61/767,947

(32) 2013 02 22

(33) US

(71) PFIZER INC. (US)

235 East 42nd Street New York, New York
10017 (US)

(72) BROWN, Matthew Frank (US);

FENWICK, Ashley Edward (GB);

FLANAGAN, Mark Edward (US);

GONZALES, Andrea (US);

JOHNSON, Timothy Allan (US);

KAILA, Neelu (US);

MITTON-FRY, Mark J. (US);

STROHBACH, Joseph Walter (US);

TENBRINK, Ruth E. (US);

TRZUPEK, John David (US);

UNWALLA, Rayomand Jal (US);

VAZQUEZ, Michael L. (US);

PARIKH, Mihir, D. (IN)

(74) Shalva Gvaramadze

(85) 2015 08 17

(86) PCT/IB2014/058889, 2014 02 11

(54) **PYRROLO [2,3 -D]PYRIMIDINE**

DERIVATIVES AS INHIBITORS

OF JANUS- RELATED KINASES (JAK)

(57) Pyrrolo{2,3-d}pyrimidine derivatives, their usage as Janus Kinase (JAK) inhibitors, and pharmaceutical compositions containing them.

Claims: 3 independent
16 dependent

Table: 1

C 08

(10) AP 2016 13319 A **(51) Int. Cl. (2006)**
C 08 B 37/08
C 08 L 5/08
A 61 K 31/737

(21) AP 2012 013319 (22) 2012 05 10

(31) MI2011A000829; MI2012A000136

(32) 2011 05 12; 2012 02 02

(33) IT; IT

(71) GNOSIS S.P.A. (IT)

Piazza del Carmine, 4 I-20121 Milano (IT)

(72) BIANCHI, Davide (IT);

VALETTI, Marco (IT);

BAZZA, Paola (IT);

MIRAGLIA, Niccolò (IT);

VALOTI, Ermanno (IT)

(74) Tamar Kochlamazashvili

(85) 2013 12 10

(86) PCT/EP2012/058654, 2012 05 10

(54) **BIOTECHNOLOGICAL SULPHATED CHONDROITIN SULPHATE AT POSITION 4 OR 6 ON THE SAME POLYSACCHARIDE CHAIN, AND PROCESS FOR THE PREPARATION THEREOF**

(57) A method for chondroitin sulphate production provides received unsulphated chondroitin backbone chemical sulphation by biotechnological process providing N-acetyl-D-galactosamine unit monosulphation in the same polysaccharide chain at position 4 or 6 close to chondroitin natural sulphation.

Claims: 1 independent
10 dependent

Fig.: 3

C 12

(10) AP 2016 13131 A **(51) Int. Cl. (2006)**
C 12 N 1/20
A 61 K 35/74
A 61 P 17/00
C 12 R 1/36

(21) AP 2011 013131 (22) 2011 12 22

(31) 1061081; PCT/EP2011/073747

(32) 2010 12 22; 2011 12 22

(33) FR; WO

(71) PIERRE FABRE DERMOCOSMETIQUE (FR)

45, place Abel Gance F-92100 Boulogne-Billancourt (FR);

UNIVERSITE PIERRE ET MARIE CURIE (PARIS 6) (FR)

4, place Jussieu F-75005 Paris (FR);

CENTRE NATIONAL DE LA RECHERCHE SCIENTIFIQUE (CNRS) (FR)

3, rue Michel Ange F-75016 Paris (FR)

(72) LEBARON, Philippe (FR);

BOURRAIN, Muriel (FR);

CASTEX-RIZZI, Nathalie (FR);

NGUYEN, Thien (FR)

(74) Shalva Gvaramadze

(85) 2013 06 21

(86) PCT/EP2011/073747; 2011 12 22

(54) **NOVEL BACTERIUM AND EXTRACTS OF SAID BACTERIUM AND THE USE OF SAME IN DERMATOLOGY**

(57) An invention relates to novel non-pathogenic gram-negative bacteria of Betaproteobacteria class,

Neisseraceae subfamily, and bacterial extracts received from bacterial suspensions, composition received by usage of said bacteria, and usage thereof inflammatory disorders treatment and/or prevention.

Claims: 11 independent
13 dependent

**(10) AP 2016 12972 A (51) Int. Cl. (2006)
C 12 N 15/09**

(21) AP 2012 012972 (22) 2012 08 31

(31) US61/530,873; US61/532,534; US61/628,999;
US61/568,110

(32) 2011 09 02; 2011 09 08; 2011 11 12;
2011 12 07

(33) US; US; US; US

(71) NOVAMEDICA LIMITED LIABILITY

COMPANY (RU)

Prem. VII, Sokolnicheskaya Wall Street 38,
107113, Moscow (RU)

(72) GOODENOW, Robert (US);
ORDENTLICH, Peter (US)

(74) Khatuna Imnadze

(85) 2013 01 18

(86) PCT/US2012/053551, 2012 08 31

**(54) METHODS FOR THE TREATMENT
OF BREAST CANCER**

(57) Combination of entinostat and exemestane is used at breast cancer treatment.

Claims: 1 independent
10 dependent

Fig.: 33

PATENTED INVENTIONS

PART A

A 01

(11) P 2016 6544 B (51) **Int. Cl. (2006)**
A 01 H 5/00
C 12 N 15/82
C 12 N 15/29

(10) AP 2016 12837 A (44) 11(447)/2016
 (21) AP 2011 012837
 (22) 2011 01 21
 (24) 2011 01 21
 (31) 61/297,628
 (32) 2010 01 22
 (33) US
 (86) PCT/US2011/022135, 2011 01 21
 (73) DOW AGROSCIENCES LLC (US)
 9330 Zionsville Rd., Indianapolis, Indiana
 46268 (US)
 (72) RUSSELL, Sean (US);
 PETOLINO, Joseph F. (US)
 (74) Tamaz Shilakadze
 (54) **EXCISION OF TRANSGENES**
IN GENETICALLY MODIFIED
ORGANISMS

A 23

(11) P 2016 6546 B (51) **Int. Cl. (2006)**
A 23 L 2/00

(10) AP 2016 13576 A (44) 11(447)/2016
 (21) AP 2014 013576
 (22) 2014 09 22
 (24) 2014 09 22
 (73) Temur Revishvili (GE)
 Universitetis q. 9, b. 13, 3503, Ozurgeti (GE);
 Davit Apkhazava (GE)
 N. Dumbadzis I shesakh. 4, 3500,
 Ozurgeti (GE);
 Zurab Dzneladze (GE)
 Metsnierebis q. 9, b. 5, 3500, Ozurgeti (GE);
 Merab Khomeriki (GE)
 D. Aghmasheneblis q. 100, 3503,
 Ozurgeti (GE);
 Raul Gotsiridze (GE)
 L. Asatianis q. 2/27, 6000, Batumi (GE);
 Ekaterine Gobronidze (GE)
 Chavchavadzis q. 19, b. 11, 3500,
 Ozurgeti (GE)
 (72) Temur Revishvili (GE);
 Davit Apkhazava (GE);
 Zurab Dzneladze (GE);
 Merab Khomeriki (GE);

Raul Gotsiridze (GE);
 Ekaterine Gobronidze (GE)

(54) **METHOD FOR NON-ALCOHOLIC**
TONIC CARBONATED BEVERAGE
PREPARATION

A 61

(11) P 2016 6543 B (51) **Int. Cl. (2006)**
A 61 K 9/28
A 61 K 31/215
A 61 P 17/06

(10) AP 2016 12819 A (44) 11(447)/2016
 (21) AP 2010 012819
 (22) 2010 01 08
 (24) 2010 01 08
 (31) PA 2009 00034; 61/143,613; AP 2010 12819
 (32) 2009 01 09; 2009 01 09; 2010 01 08
 (33) DK; US; GE
 (86) PCT/EP2010/050172, 2010 01 08
 (73) FORWARD PHARMA A/S (DK)
 Ostergade 24A, 1. DK-1100 Copenhagen
 K. (DK)
 (72) NILSSON, Henrik (CH);
 RUPP, Roland (DE)
 (74) Shalva Gvaramadze
 (85) 2012 08 06
 (86) PCT/EP2010/050172, 2010 01 08
 (54) **PHARMACEUTICAL FORMULATION**
COMPRISING ONE OR MORE
FUMARIC ACID ESTERS IN EROSION
MATRIX

PART C

C 07

(11) P 2016 6548 B (51) **Int. Cl. (2006)**
C 07 C 67/29
C 07 C 69/18
C 07 F 7/18
C 12 P 41/00
C 07 C 47/565
C 07 C 47/575
C 07 C 51/377
C 07 C 59/72

(10) AP 2016 13668 A (44) 11(447)/2016
 (21) AP 2013 013668
 (22) 2013 05 22
 (24) 2013 05 22
 (31) 12172191.4; 61/650,836

- (32) 2012 06 15; 2012 05 23
 (33) EP; US
 (86) PCT/EP2013/060472, 2013 05 22
 (73) SCIPHARM SÀRL (LU)
 26-28, rue Edward Steichen L-2540
 Luxembourg (LU)
 (72) JAIN, Nareshkumar F. (US);
 KIRKUP, Michael P. (US);
 MARELLA, Michael A. (US);
 GHONE, Sanjeevani, A. (US)
 (74) Liliana Darakhvelidze
 (54) **PROCESS FOR THE PREPARATION
 OF TREPROSTINIL AND DERIVATIVES
 THEREOF**

-
- (11) P 2016 6545 B** **(51) Int. Cl. (2006)**
C 07 D 279/08
A 61 K 31/5415
A 61 P 31/06
- (10) AP 2016 13122 A (44) 11(447)/2016
 (21) AP 2011 013122
 (22) 2011 11 21
 (24) 2011 11 21
 (31) PCT/RU2010/000688
 (32) 2010 11 19
 (33) RU
 (86) PCT/IB2011/055209, 2011 11 21
 (73) ECOLE POLYTECHNIQUE
 FEDERALE DE LAUSANNE (EPFL) (CH)
 EPFL-SRI Stasion 10, CH-1015
 Lausanne (CH)
 (72) MAKAROV, Vadim (RU);
 COLE, Stewart (GB)
 (74) Shalva Gvaramadze
 (54) **2-PIPERAZIN-1-YL-4H-1,3-BENZO-
 THIAZIN-4-ONE DERIVATIVES AND
 THEIR USE FOR TREATMENT
 OF MAMMALIAN INFECTIONS**

C 12

-
- (11) P 2016 6542 B** **(51) Int. Cl. (2006)**
C 12 N 1/21
C 07 K 14/555
C 12 N 9/02
C 12 N 9/00
- (10) AP 2016 13338 A (44) 9(445)/2016
 (21) AP 2012 013338
 (22) 2012 05 21
 (24) 2012 05 21
 (31) 11167761.3
 (32) 2011 05 26
 (33) EP
 (86) PCT/EP2012/059373, 2012 05 21
 (73) RICHTER-HELM BIOTEC
 GMBH & CO. KG (DE)
 Nordkanalstrasse 28, 20097 Hamburg (DE)

- (72) SCHILLING, Ralf (DE);
 DIEDERICH, Bettina (DE)
 (74) Khatuna Imnadze
 (54) **RECOMBINANT EXPRESSION OF
 SOLUBLE INTERFERON**

PART E

E 01

-
- (11) P 2016 6549 B** **(51) Int. Cl. (2006)**
E 01 D 21/00
- (10) AP 2016 13698 A (44) 11(447)/2016
 (21) AP 2015 013698
 (22) 2015 01 21
 (24) 2015 01 21
 (73) Jondo Togonidze (GE)
 T. Tabidzis q. 28, 0179, Tbilisi (GE)
 (72) Jondo Togonidze (GE)
 (54) **METHOD FOR GUILDING LARGE-
 SPAN BRIDGES**

E 02

-
- (11) P 2016 6547 B** **(51) Int. Cl. (2006)**
E 02 D 29/02
E 02 D 17/20
E 02 B 3/04
- (10) AP 2016 13601 A (44) 11(447)/2016
 (21) AP 2013 013601
 (22) 2013 03 07
 (24) 2013 03 07
 (31) BO2012A000151
 (32) 2012 03 21
 (33) IT
 (86) PCT/IB2013/051829, 2013 03 07
 (73) OFFICINE MACCAFERRI S.P.A. (IT)
 Via Kennedy, 10, I-40069 Zola Predosa
 (Bologna) (IT)
 (72) FERRAILOLO, Francesco (IT)
 (74) Aleksandre Gegechkori
 (54) **GABION**

UTILITY MODELS

APPLICATIONS APPROVED FOR GRANTING PATENTS

The decision can be appealed at the Chamber of Appeal of Sakpatenti within 3 months from the publication or at the Mtskheta District Court Administrative Cases Board (Address: №17, Samkhedro str., Mtskheta), within 1 month following the publication.

PART A

A 61

- (10) AU 2016 13963 U (51) Int. Cl. (2006)
A 61 K 9/10
A 61 K 36/00
- (21) AU 2015 013963 (22) 2015 10 16
- (71) LEPL TBILISI STATE MEDICAL
UNIVERSITY (GE)
Vazha-Pshavelas gamz. 33, 0186, Tbilisi (GE)
- (72) Nana Gorgaslidze (GE);
Dali Chanturia (GE);
Giorgi Erkomaishvili (GE);
Liana Nadirashvili (GE);
Nino Nizharadze (GE)
- (74) Nana Gorgaslidze
- (54) **GEL FOR ELECTROTHERAPY**
- (57) The gel contains papain, methylcellulose, glycerol, and water.
Claims: 1 independent
-

- (10) AU 2016 13993 U (51) Int. Cl. (2006)
A 61 K 47/06
A 61 K 47/30
A 61 K 35/12
A 61 K 35/56
- (21) AU 2015 013993 (22) 2015 11 12
- (71) Khvicha Tvalabeishvili (GE)
Marjori Uordropis q. 13, 0113, Tbilisi (GE)
- (72) Khvicha Tvalabeishvili (GE)
- (74) Shalva Gvaramadze
- (54) **THERAPEUTIC AGENT FOR
LACTOSTASIS, MASTOPATHY, AND
MASTITIS TREATMENT AND/OR
PROPHYLAXIS**
- (57) Therapeutic agent contains keratin, lactose, povidone, polyethylene glycol, starch, and magnesium stearate.
Claims: 1 independent
-

PART B

B 66

- (10) AU 2016 13928 U (51) Int. Cl. (2006)
B 66 B 3/00
B 66 B 5/00
G 02 B 25/10
- (21) AU 2015 013928 (22) 2015 09 07
- (71) Konstantine Mchedlishvili (GE)
Dighmis masivi me-3 kvart., korp. 38,
b. 76, 0159, Tbilisi (GE);
Davit Gegeshidze (GE)
Mitskevichis q. 20, b. 86, 0194, Tbilisi (GE);
Shalva Zviadadze (GE)
Dighmis masivi me-3 kvart., korp. 39, b. 86,
0159, Tbilisi (GE)
- (72) Konstantine Mchedlishvili (GE);
Davit Gegeshidze (GE);
Shalva Zviadadze (GE)
- (54) **METHOD FOR LIFT AUTOMATIC
DISPATCHING**
- (57) A method provides notification of control unit computer about lift accident condition, before which the predefined time counting is provided with a timer, and notification is provided after said time expiration.
Claims: 1 independent
2 dependent
Fig.: 3
-

PART C

C 25

- (10) AU 2016 13873 U (51) Int. Cl. (2006)
C 25 D 3/44
- (21) AU 2015 013873 (22) 2015 06 30
- (71) Nodar Gasviani (GE)
Vazha-Pshavelas gamz. kvart. V, korp. 4,
b. 130, 380086, Tbilisi (GE)
- (72) Nodar Gasviani (GE);
Gulnara Kipiani (GE);
Sergo Gasviani (GE);
Davit Gventsadze (GE);

Nino Skhiladze (GE);
 Lia Gventsadze (GE);
 Lia Abazadze (GE)

(54) **METHOD FOR POLYMERIC COMPOSITE MATERIALS**

ELECTROCHEMICAL ALUMINIZATION

(57) Method for electrochemical aluminization, which means this that composite polymeric composite material is used as a cathode previously electrochemically covered with copper thin layer on 0.002-0.01 a/cm² power density, aluminization is provided on 95-110°C temperature; at that, the electrolyte additionally contains barium chloride with following ratio of componentry, in mass%:

AlCl₃ – 74-76;
 BaCl₂ – 4-5;
 NaCl – 14,5-17,6; and
 Urea – 2-4,5.

Claims: 1 independent

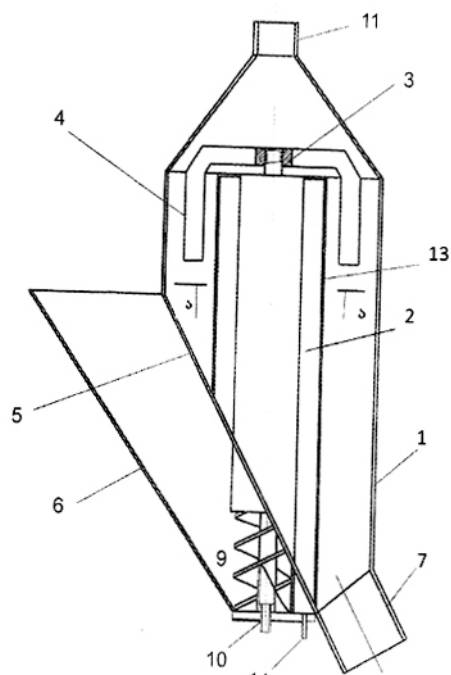


Fig. 1

PART F

F 26

(10) AU 2016 13885 U (51) Int. Cl. (2006)
 F 26 B 17/22
 F 26 B 17/18

(21) AU 2015 013885 (22) 2015 07 15

(71) Tinatin Lezhava (GE)
 Nutsubidzis perd., II mkr., III kvart.,
 korp. 3, b. 35, 0183, Tbilisi (GE)

(72) Suren Nikogosiani (AM);
 Tinatin Lezhava (GE);
 Tamaz Natriashvili (GE);
 Jumber Meskhi (GE)

(54) **DRYING DEVICE**

(57) A device includes cylindrical case 1 disposed vertically, drying material loading bin 6, ready product unloading connecting pipe 10, inclined install partition 5 separating case inner space in two insulated parts, auger transporter 2 having propeling perforated hollow shaft 3, and the blades 4. Auger transporter is placed in vertical cylindrical chamber 13 rigidly connected to partition. Perforation is executed on auger transporter casing, above cross point of chamber and partition.

Claims: 1 independent

Fig.: 2

PATENTED UTILITY MODEL

PART F

F 16

- (11) U 2016 1907 Y (51) Int. Cl. (2006)
F 16 D 69/02
- (10) AU 2016 13693 U (44) 11(447)/2016
- (21) AU 2015 013693
- (22) 2015 01 06
- (24) 2015 01 06
- (73) Joni Gigineishvili (GE)
Nutsubidzis perd. II mkr., II kvart.,
korp. 5, b. 10, 0183, Tbilisi (GE);
Akaki Chkhaidze (GE)
Rustavelis q. 28, Daba Tskneti, Tbilisi (GE);
Nana Intskirveli (GE)
G. Rcheulishvilis q. 32, korp. 2, b. 9,
Tbilisi (GE)
- (72) Joni Gigineishvili (GE);
Akaki Chkhaidze (GE);
Nana Intskirveli (GE)
- (54) **RAIL TRANSPORT COMPOSITE
BRAKE BLOCK**
-

DESIGNS

REGISTERED DESIGN

- (11) **D 2016 691 S** (51) **27-99**
(10) AD 2016 901 S (44) 11(447)/2016
(21) AD 2016 000901
(22) 2016 03 02
(24) 2016 03 02
(18) 2021 03 02
(73) Rali Saghinadze (GE)
 Tsknetis q. I a, b. 6, 0162, Tbilisi (GE);
 Mikheil Khukhashvili (GE)
 L. Asatianis q. 32, Tbilisi (GE)
(72) Rali Saghinadze (GE);
 Mikheil Khukhashvili (GE)
(74) Tamaz Shilakadze
(54) **LIGHTER FASTENER ON
 CIGARETTE BOX**
-

TRADEMARKS

APPLICATIONS FILED UNDER THE NATIONAL PROCEDURE APPROVED FOR REGISTRATION

The decision can be appealed at the Chamber of Appeal of Sakpatenti within 3 months from the publication or at the Mtskheta District Court Administrative Cases Board (Address: №17, Samkhedro St., Mtskheta), within 1 month following the publication.

(260) AM 2016 84934 A
(210) AM 84934
(220) 2015 11 30
(731) LTD "BERIKA"
I. Chavchavadzis gamz. I, shes. 6, b. 80,
0179, Tbilisi, Georgia
(740) Tornike Bochorishvili
(540)

ოგაზი
OPHAZI
ΟΦΑΖΗ

(511) 33

(260) AM 2016 84952 A
(210) AM 84952
(220) 2015 12 01
(731) THE COCA-COLA COMPANY
One Coca-Cola Plaza, Atlanta, Georgia
30313, USA
(740) Giorgi Taktakishvili
(540)

გასინჯე... იგრძენი...

(591) Black, white
(511) 30, 32

(260) AM 2016 85083 A
(210) AM 85083
(220) 2015 12 09
(731) MARRIOTT WORLDWIDE
CORPORATION
10400 Fernwood Road, Bethesda, Maryland
20817, USA
(740) Tamaz Shilakadze
(540)

DELTA

(511) 35, 36, 41, 43

(260) AM 2016 85084 A
(210) AM 85084
(220) 2015 12 09
(731) MARRIOTT WORLDWIDE
CORPORATION

10400 Fernwood Road, Bethesda, Maryland
20817, USA

(740) Tamaz Shilakadze
(540)

DELTA HOTELS

(511) 35, 36, 41, 43

(260) AM 2016 85086 A
(210) AM 85086
(220) 2015 12 09
(731) MARRIOTT WORLDWIDE
CORPORATION
10400 Fernwood Road, Bethesda, Maryland
20817, USA
(740) Tamaz Shilakadze
(540)


DELTA
HOTELS

(591) Black, white
(531) 27.05.10, 27.05.21
(511) 35, 36, 41, 43

(260) AM 2016 85109 A
(210) AM 85109
(220) 2015 12 10
(731) LTD "NANO TECHI"
V. Megrelishvilis q. 24, b. 33, 4600, Kutaisi,
Georgia
(740) Niko Ushveridze
(540)

Гумат+7 йод

(511) 35

(260) AM 2016 85115 A
(210) AM 85115
(220) 2015 12 10
(731) PHILIP MORRIS PRODUCTS S.A.
Quai Jeanrenaud 3, 2000 Neuchâtel,
Switzerland

(740) Shalva Gvaramadze
(540)



(591) Black, white
(531) 05.03.01, 05.03.14, 27.05.10
(511) 34

(260) AM 2016 85236 A
(210) AM 85236
(220) 2015 12 17
(310) 30032
(320) 2015 09 30
(330) AD
(731) BRITISH AMERICAN TOBACCO (BRANDS) INC. (a Delaware corporation)
2711 Centerville Road, Suite 300,
Wilmington, Delaware 19808, USA
(740) Tamar Kochlamazashvili
(540)



(591) Black, white
(531) 25.03.13, 26.01.04, 26.01.19
(511) 34

(260) AM 2016 85237 A
(210) AM 85237
(220) 2015 12 17
(310) 30029
(320) 2015 09 30
(330) AD
(731) BRITISH AMERICAN TOBACCO (BRANDS) INC. (a Delaware corporation)
2711 Centerville Road, Suite 300,
Wilmington, Delaware 19808, USA
(740) Tamar Kochlamazashvili
(540)



(591) Blue, grey
(531) 27.05.25, 26.11.09, 29.01.12
(511) 34

(260) AM 2016 85306 A
(210) AM 85306
(220) 2015 12 18
(731) CROCS, INC.
7477 East Dry Creek Parkway, Niwot,
CO 80503, USA
(740) Tamaz Shilakadze
(540)

CROCS

(511) 25, 35

(260) AM 2016 85736 A
(210) AM 85736
(220) 2016 01 13
(731) ELGUJA GVILAVA
Petritsis q.6, b. 62, 0131, Tbilisi, Georgia
(740) Khatuna Imnadze
(540)

ფელუკა
Feluca
Фелука

(511) 29

(260) AM 2016 85749 A
(210) AM 85749
(220) 2016 01 14
(731) DABUR INDIA LIMITED
8/3, Asaf Ali Road, New Delhi 110 002, India
(740) Giorgi Taktakishvili
(540)



(591) White, pink, flat pink, yellow, grey
(531) 26.01.20, 27.05.19, 28.01, 29.01.14, 05.05.01,
19.03.24
(511) 3

(260) AM 2016 85751 A
(210) AM 85751
(220) 2016 01 14
(731) DABUR INDIA LIMITED
8/3, Asaf Ali Road, New Delhi 110 002, India
(740) Giorgi Taktakishvili

(540)

DermaViva

(591) Black, white
(531) 27.05.01
(511) 3

(260) AM 2016 85755 A
(210) AM 85755
(220) 2016 01 14
(731) DABUR INDIA LIMITED
8/3, Asaf Ali Road, New Delhi 110 002, India
(740) Giorgi Taktakishvili
(540)



(591) Black, white
(531) 02.07.02, 02.09.10, 19.03.24, 27.05.24, 28.05
(511) 3

(260) AM 2016 85763 A
(210) AM 85763
(220) 2016 01 14
(731) LTD "TIFLISSKI VINNI POGREB"
Umashevis q. 27, 0198, Tbilisi, Georgia
(740) Shalva Gvaramadze
(540)

ТИФЛИССКИЕ ЗАМЕТКИ
TIFLIS MEMORIES

ტიფლის მემორის

(526) The trademark is protected as a whole. "ТИФЛИССКИЕ", "TIFLIS", "ტიფლის" shall not be subject to independent legal protection.
(511) 33

(260) AM 2016 85765 A
(210) AM 85765
(220) 2016 01 14
(731) LTD "TIFLISSKI VINI POGREB"
Umashevis q. 27, 0198, Tbilisi, Georgia
(740) Shalva Gvaramadze

(540)

Тбилиси пик
თბილისი პიკ
Tbilisi peak

(526) The trademark is protected as a whole. "Тбилиси", "თბილისი", "Tbilisi" shall not be subject to independent legal protection.
(511) 33

(260) AM 2016 85825 A
(210) AM 85825
(220) 2016 01 22
(731) ACCOR
110 avenue de France, 75013 Paris, France
(740) Liliana Darakhvekidze
(540)

მერკური

(511) 43

(260) AM 2016 85887 A
(210) AM 85887
(220) 2016 01 27
(731) Gia Agirba
I. Gordezianis q. 12, Batumi, Georgia
(740) Vakhtang Torotadze
(540)



(591) White, black, red, yellow, orange, white, moderately red, brown, silver-greyni
(531) 02.01.11, 08.01.16, 29.01.15
(526) The protection is not required for words "გობს ცომგამოცლილი აჭარული" and "AJARIAN FROM GIA".
(511) 30, 43

(260) AM 2016 85892 A
(210) AM 85892
(220) 2016 01 28
(731) IVYBRIDGE VENTURES LIMITED
Lampousas 1, P.C. 1095, Nicosia, Cyprus
(740) Tamar Kochlamazashvili

(540)



(591) Lilac, yellow, white, green, grey
(531) 05.05.04, 27.05.01, 27.05.11, 29.01.15
(511) 3, 5, 35

(260) AM 2016 85990 A

(210) AM 85990

(220) 2016 02 03

(731) CJSC "PEPTEK"

Ul. Miklukho-Maklaya, dom. 16/10,
17997, Moskow, Russian Federation

(740) Shalva Gvaramadze

(540)

ლიკოპიდი

(511) 5

(260) AM 2016 86130 A

(210) AM 86130

(220) 2016 02 11

(731) WORLDWIDE FRANCHISE SYSTEMS,
INC.

One StarPoint, Stamford, Connecticut 06902,
USA

(740) Shalva Gvaramadze

(540)



(591) Red, light yellow, sky-blue, blue
(531) 05.05.20, 15.01.13, 26.02.09, 29.01.14
(511) 36, 39, 43

REGISTERED TRADEMARKS

(111) M 2016 27569 R
 (151) 2016 09 12
 (181) 2026 09 12
 (260) AM 2016 77157 A
 (220) 2014 05 15
 (732) JSC "SHATEAU MUKHRANI"
 Sop. Mukhrani, 3309, Mtskhეთის რაიონი, Georgia

(111) M 2016 27570 R
 (151) 2016 09 12
 (181) 2026 09 12
 (260) AM 2016 77627 A
 (220) 2014 06 20
 (732) LTD "CAUCASIAN ALCO"
 M. Tamarashviliძის ქ. 11, ბ. 179, Tbilisi, Georgia

(111) M 2016 27571 R
 (151) 2016 09 12
 (181) 2026 09 12
 (260) AM 2016 80516 A
 (220) 2015 01 28
 (732) PATRÓN SPIRITS INTERNATIONAL AG
 QuaistraJSce 11, 8200 Schaffhausen,
 Switzerland

(111) M 2016 27572 R
 (151) 2016 09 12
 (181) 2026 09 12
 (260) AM 2016 81626 A
 (220) 2015 04 09
 (732) Pharmaceutical Chemical Cosmetic industry
 ALKALOID AD - Skopje
 Bul. Aleksandar Makedonski, 12, The Former
 Yugoslav Republic of Macedonia

(111) M 2016 27573 R
 (151) 2016 09 12
 (181) 2026 09 12
 (260) AM 2015 81693 A
 (220) 2015 04 17
 (732) LTD "NETWORK OF HOTELS
 MGZAVREBI"
 D. Guramishviliძის გამზ. 12a, კორპ. 4, ბ. 22,
 0192, Tbilisi, Georgia

(111) M 2016 27574 R
 (151) 2016 09 12
 (181) 2026 09 12
 (260) AM 2016 81709 A
 (220) 2015 04 20

(732) LTD "VELYAMINOV"
 Sh. Dadianis ქ. 8, 0105, Tbilisi, Georgia

(111) M 2016 27575 R
 (151) 2016 09 12
 (181) 2026 09 12
 (260) AM 2016 81725 A
 (220) 2015 04 21
 (732) Eldar Iukuridze
 Zhukovskis ქ. 19, ბ. 9, Odessa, Ukraine;
 LTD "SHABO-GEORGIA"
 I. Chavchavadze av. 29/31/33, 0179, Tbilisi,
 Georgia

(111) M 2016 27576 R
 (151) 2016 09 12
 (181) 2026 09 12
 (260) AM 2016 81926 A
 (220) 2015 05 04
 (732) LTD "STANDART TOBACO
 INCORPORATED"
 Abuseridze-Tbelis ქ. 13, 0120, Tbilisi, Georgia

(111) M 2016 27577 R
 (151) 2016 09 12
 (181) 2026 09 12
 (260) AM 2016 82235 A
 (220) 2015 05 25
 (732) TOYOTA JIDOSHA KABUSHIKI KAISHA
 (also trading as Toyota Motor Corporation)
 1, Toyota-cho, Toyota-shi, Aichi-ken, Japan

(111) M 2016 27578 R
 (151) 2016 09 12
 (181) 2026 09 12
 (260) AM 2016 82236 A
 (220) 2015 05 25
 (732) TOYOTA JIDOSHA KABUSHIKI KAISHA
 (also trading as Toyota Motor Corporation)
 1, Toyota-cho, Toyota-shi, Aichi-ken, Japan

(111) M 2016 27579 R
 (151) 2016 09 12
 (181) 2026 09 12
 (260) AM 2016 82343 A
 (220) 2015 06 02
 (732) LTD "ATENK"
 Makhatis ქ. 3, 0103, Tbilisi, Georgia

(111) M 2016 27580 R (151) 2016 09 12 (181) 2026 09 12 (260) AM 2016 82570 A (220) 2015 06 17 (732) LTD "GEOTURAN" Kavtaradzis q. 25, korp. 3, b. 41, Tbilisi, Georgia	(111) M 2016 27586 R (151) 2016 09 12 (181) 2026 09 12 (260) AM 2016 82871 A (220) 2015 07 08 (732) AIK CHEONG COFFEE ROASTER SDN. BHD Lot 1-1, Jalan TTC 1, Kawasan Perindustrian Cheng, 75250 Melaka, Malaysia
(111) M 2016 27581 R (151) 2016 09 12 (181) 2026 09 12 (260) AM 2016 82620 A (220) 2015 06 22 (732) HEADHUNTER FSU LIMITED Diagorou 4, KERMIA BUILDING, 6th floor, office 601, 1097 Nicosia, Cyprus	(111) M 2016 27587 R (151) 2016 09 12 (181) 2026 09 12 (260) AM 2016 82874 A (220) 2015 07 09 (732) LIFECARE INNOVATIONS PVT. LTD. A-13, Iris Tech. Park, Sector-48, Sohna Roas, Gurgaon – 122018, Haryana, India
(111) M 2016 27582 R (151) 2016 09 12 (181) 2026 09 12 (260) AM 2016 82621 A (220) 2015 06 22 (732) HEADHUNTER FSU LIMITED Diagorou 4, KERMIA BUILDING, 6th floor, office 601, 1097 Nicosia, Cyprus	(111) M 2016 27588 R (151) 2016 09 12 (181) 2026 09 12 (260) AM 2016 83052 A (220) 2015 07 21 (732) BAYER HEALTHCARE LLC 100 Bayer Rd, Pittsburgh, Pennsylvania 15205, USA
(111) M 2016 27583 R (151) 2016 09 12 (181) 2026 09 12 (260) AM 2016 82640 A (220) 2015 06 23 (732) SAVENCIA SA 42 Rue RieuJSCec, 78220 Viroflay, France	(111) M 2016 27589 R (151) 2016 09 12 (181) 2026 09 12 (260) AM 2016 83110 A (220) 2015 07 23 (732) MOLINARI ITALIA S.p.A. Via karlo linneo 8, 00197, Romi, Italy
(111) M 2016 27584 R (151) 2016 09 12 (181) 2026 09 12 (260) AM 2016 82740 A (220) 2015 06 30 (732) LTD "KARAVANI" Shio Mghvimelis q. 7, Tbilisi, Georgia	(111) M 2016 27590 R (151) 2016 09 12 (181) 2026 09 12 (260) AM 2016 83117 A (220) 2015 07 23 (732) LTD "BOLERO & COMPANY" Kuchishvilis q.12-14-16, b. 13, 0179, Tbilisi, Georgia
(111) M 2016 27585 R (151) 2016 09 12 (181) 2026 09 12 (260) AM 2016 82870 A (220) 2015 07 08 (732) AIK CHEONG COFFEE ROASTER SDN. BHD Lot 1-1, Jalan TTC 1, Kawasan Perindustrian Cheng, 75250 Melaka, Malaysia	(111) M 2016 27591 R (151) 2016 09 12 (181) 2026 09 12 (260) AM 2016 83249 A (220) 2015 07 31 (732) BIOGEN MA INC. a Massachusetts corporation, 250 Binney Street, Cambridge, MaJSCachusetts 02142, USA

(111) M 2016 27592 R
(151) 2016 09 12
(181) 2026 09 12
(260) AM 2016 83263 A
(220) 2015 08 04
(732) TOYOTA JIDOSHA KABUSHIKI KAISHA
(also trading as Toyota Motor Corporation)
1, Toyota-cho, Toyota-shi, Aichi-ken, Japan

(111) M 2016 27593 R
(151) 2016 09 12
(181) 2026 09 12
(260) AM 2016 83265 A
(220) 2015 08 04
(732) KURT GEIGER LIMITED
24 Britton Street, London EC1M 5UA, United
Kingdom

(111) M 2016 27594 R
(151) 2016 09 12
(181) 2026 09 12
(260) AM 2016 83268 A
(220) 2015 08 04
(732) Vazha Imnadze
Makhaldianis q.16 (Askuravas q.), Tbilisi,
Georgia

(111) M 2016 27595 R
(151) 2016 09 12
(181) 2026 09 12
(260) AM 2016 83322 A
(220) 2015 08 07
(732) BAYER HEALTHCARE LLC
100 Bayer Road, Pittsburgh, Pennsylvania
15205, USA

(111) M 2016 27596 R
(151) 2016 09 12
(181) 2026 09 12
(260) AM 2016 83408 A
(220) 2015 08 17
(732) SMYK GLOBAL ASSETS GMBH
c/o Haeusermann + Partner AG Schwanenga
JSCe 5/7, 3011 Bern, Switzerland

(111) M 2016 27597 R
(151) 2016 09 12
(181) 2026 09 12
(260) AM 2016 83586 A
(220) 2015 08 27
(732) LTD "EMAS CREDIT"
Mitskevichis q. 52, Tbilisi, Georgia

(111) M 2016 27598 R
(151) 2016 09 12
(181) 2026 09 12
(260) AM 2016 83607 A
(220) 2015 08 28
(732) LRC PRODUCTS LIMITED
103-105 Bath Road, Slough, SL1 3UH, United
Kingdom

(111) M 2016 27599 R
(151) 2016 09 12
(181) 2026 09 12
(260) AM 2016 83608 A
(220) 2015 08 28
(732) LRC PRODUCTS LIMITED
103-105 Bath Road, Slough, SL1 3UH, United
Kingdom

(111) M 2016 27600 R
(151) 2016 09 12
(181) 2026 09 12
(260) AM 2016 83609 A
(220) 2015 08 28
(732) LRC PRODUCTS LIMITED
103-105 Bath Road, Slough, SL1 3UH, United
Kingdom

(111) M 2016 27601 R
(151) 2016 09 12
(181) 2026 09 12
(260) AM 2016 83610 A
(220) 2015 08 28
(732) LRC PRODUCTS LIMITED
103-105 Bath Road, Slough, SL1 3UH, United
Kingdom

(111) M 2016 27602 R
(151) 2016 09 12
(181) 2026 09 12
(260) AM 2016 83631 A
(220) 2015 08 31
(732) WALMARK, A.S.
Oldřichovice č.44, 739 61 Třinec, Czech
Republic

(111) M 2016 27603 R
(151) 2016 09 12
(181) 2026 09 12
(260) AM 2016 83682 A
(220) 2015 09 04
(732) MLS Co., LTD.
No.1 MuLinSen Avenue, Xiaolan, Zhongshan
City, Guangdong Province, China

(111) M 2016 27604 R (151) 2016 09 12 (181) 2026 09 12 (260) AM 2016 83702 A (220) 2015 09 04 (732) SILK ROAD GROUP S.A. Akara Bldg., 24 De Castro Street, Wickhams Cay 1, Road Town, Tortola, British Virgin Islands	(111) M 2016 27610 R (151) 2016 09 12 (181) 2026 09 12 (260) AM 2016 83753 A (220) 2015 09 11 (732) LTD "BARAMBO" Sop. Natakhtari, 3308, Mtskheta, Georgia
(111) M 2016 27605 R (151) 2016 09 12 (181) 2026 09 12 (260) AM 2016 83729 A (220) 2015 09 08 (732) ACHAVAL – FERRER S.A. Cobos 2601, Perdriel, Lujan de Cuyo 5509, provincial de Mendoza, Argentina	(111) M 2016 27611 R (151) 2016 09 12 (181) 2026 09 12 (260) AM 2016 83119 A (220) 2015 07 23 (732) LTD "BOLERO & COMPANY" Kuchishvilis q.12-14-16, Tbilisi, Georgia
(111) M 2016 27606 R (151) 2016 09 12 (181) 2026 09 12 (260) AM 2016 83730 A (220) 2015 09 08 (732) ACHAVAL – FERRER S.A. Cobos 2601, Perdriel, Lujan de Cuyo 5509, provincial de Mendoza, Argentina	(111) M 2016 27612 R (151) 2016 09 12 (181) 2026 09 12 (260) AM 2016 83833 A (220) 2015 09 17 (732) LTD "G-M-P" Sop. Ponichala 65, 0165, Tbilisi, Georgia
(111) M 2016 27607 R (151) 2016 09 12 (181) 2026 09 12 (260) AM 2016 83731 A (220) 2015 09 08 (732) ACHAVAL – FERRER S.A. Cobos 2601, Perdriel, Lujan de Cuyo 5509, provincial de Mendoza, Argentina	(111) M 2016 27613 R (151) 2016 09 12 (181) 2026 09 12 (260) AM 2016 83880 A (220) 2015 09 21 (732) APPLE INC 1, Infinite Loop, Cupertino, California 95014, USA
(111) M 2016 27608 R (151) 2016 09 12 (181) 2026 09 12 (260) AM 2016 83736 A (220) 2015 09 09 (732) JSC "SHATEAU MUKHRANI" Sop. Mukhrani, 3309, Mtskheta, Georgia	(111) M 2016 27614 R (151) 2016 09 12 (181) 2026 09 12 (260) AM 2016 83883 A (220) 2015 09 22 (732) TECNO TELECOM (HK) LIMITED A corporation organized and existing under the laws of Hong Kong RMS 05-15, 13A/F South Tower, World Finance Ctr Harbour City, 17 Canton Rd Tst Kln, Hong Kong
(111) M 2016 27609 R (151) 2016 09 12 (181) 2026 09 12 (260) AM 2016 83738 A (220) 2015 09 10 (732) HIMALAYA GLOBAL HOLDINGS LTD 106 Elizabethan Square, P.O. Box 1162, Grand Cayman, KY1-1102, Cayman Islands	(111) M 2016 27615 R (151) 2016 09 12 (181) 2026 09 12 (260) AM 2016 84013 A (220) 2015 09 29 (732) TEQUILA SAUZA, S. DE R.L. DE C.V. Avenida Vallarta 6503, Interior 49, Colonia Ciudad Granja, C.P. 45010, Zapopan, Jalisco, Mexico

(111) M 2016 27616 R
 (151) 2016 09 12
 (181) 2026 09 12
 (260) AM 2016 84015 A
 (220) 2015 09 29
 (732) Carl's Jr. Restaurants LLC
 a Delaware limited liability company
 6303 Carpinteria Ave., Carpinteria, CA 93013,
 USA

(111) M 2016 27617 R
 (151) 2016 09 12
 (181) 2026 09 12
 (260) AM 2016 84019 A
 (220) 2015 09 29
 (732) Carl's Jr. Restaurants LLC
 a Delaware limited liability company
 6303 Carpinteria Ave., Carpinteria, CA 93013,
 USA

(111) M 2016 27618 R
 (151) 2016 09 12
 (181) 2026 09 12
 (260) AM 2016 84026 A
 (220) 2015 09 29
 (732) S.C. JOHNSON & SON, INC.
 a Wisconsin corporation
 1525 Howe Street, Racine, Wisconsin
 53403-2236, USA

(111) M 2016 27619 R
 (151) 2016 09 12
 (181) 2026 09 12
 (260) AM 2016 84030 A
 (220) 2015 09 29
 (732) S.C. JOHNSON & SON, INC.
 a Wisconsin corporation
 1525 Howe Street, Racine, Wisconsin
 53403-2236, USA

(111) M 2016 27620 R
 (151) 2016 09 12
 (181) 2026 09 12
 (260) AM 2016 84061 A
 (220) 2015 10 02
 (732) GILEAD SCIENCES IRELAND UC
 IDA Business and Technology Park,
 Carrigtohill, Co. Cork, Ireland

(111) M 2016 27621 R
 (151) 2016 09 12
 (181) 2026 09 12
 (260) AM 2016 84062 A
 (220) 2015 10 02

(732) GILEAD SCIENCES IRELAND UC
 IDA Business and Technology Park,
 Carrigtohill, Co. Cork, Ireland

(111) M 2016 27622 R
 (151) 2016 09 12
 (181) 2026 09 12
 (260) AM 2016 84081 A
 (220) 2015 10 06
 (732) NIHON NOHYAKU CO., LTD.
 (A corporation duly organized and existing
 under the laws of Japan)
 19-8, Kyobashi 1-chome, Chuo-Ku, Tokyo,
 Japan

(111) M 2016 27623 R
 (151) 2016 09 12
 (181) 2026 09 12
 (260) AM 2016 84223 A
 (220) 2015 10 16
 (732) NIHON NOHYAKU CO., LTD.
 19-8, Kyobashi 1- Chome, Chuo-ku, Tokyo,
 Japan

(111) M 2016 27624 R
 (151) 2016 09 12
 (181) 2026 09 12
 (260) AM 2016 84224 A
 (220) 2015 10 16
 (732) NIHON NOHYAKU CO., LTD.
 19-8, Kyobashi 1- Chome, Chuo-ku, Tokyo,
 Japan

(111) M 2016 27625 R
 (151) 2016 09 12
 (181) 2026 09 12
 (260) AM 2016 84264 A
 (220) 2015 10 21
 (732) LTD "ALTA"
 Tsintsadzis q. 5, Vake-Saburtalos raioni, Tbilisi,
 Georgia

**TRADEMARKS REGISTERED ACCORDING TO THE
ACCELERATED PROCEDURE**

The decision can be appealed at the Chamber of Appeal of Sakpatenti within 3 months from the publication.

(111) M 2016 27565 R
(151) 2016 09 06
(181) 2026 09 06
(210) AM 88396
(220) 2016 08 24
(732) LTD "G AND G TRADING"
Varketili me-3 masivi, me-7 kv, me-6 korp.
b.20, 0163, Tbilisi, Georgia
(740) Malkhaz Kaulashvili
(540)



(591) Blue, sky-blue
(531) 01.15.21, 27.05.03, 29.01.04
(511) 3

(111) M 2016 27568 R
(151) 2016 09 08
(181) 2026 09 08
(210) AM 88458
(220) 2016 08 30
(732) LTD "APTOS"
Orbelianis q. 20/4, 0105, Tbilisi, Georgia
(740) Dito Khvichia
(540)



(591) Black, white
(531) 26.11.12, 27.05.11
(511) 44

(111) M 2016 27566 R
(151) 2016 09 06
(181) 2026 09 06
(210) AM 88372
(220) 2016 08 23
(732) LTD "SAYALI"
Uznadzis q. 58/Ushangi Chkheidzis q. 17,
0102, Tbilisi, Georgia
(740) Paata Khatashvili
(540)

SAYALI
საიალი
САИАЛИ

(511) 44

(111) M 2016 27626 R
(151) 2016 09 14
(181) 2026 09 14
(210) AM 88367
(220) 2016 08 23
(732) RENAISSANCE HOTEL HOLDINGS, INC.
10400 Fernwood Road, Bethesda, Maryland
20817, USA
(740) Shalva Gvaramadze
(540)

RENAISSANCE

(511) 35, 43

(111) M 2016 27567 R
(151) 2016 09 08
(181) 2026 09 08
(210) AM 88459
(220) 2016 08 30
(732) LTD "APTOS"
Orbelianis q. 20/4, 0105, Tbilisi, Georgia
(740) Dito Khvichia
(540)

APTOS
АПТОС
აპტოს

(511) 44

(111) M 2016 27627 R
(151) 2016 09 14
(181) 2026 09 14
(210) AM 88368
(220) 2016 08 23
(732) RENAISSANCE HOTEL HOLDINGS, INC.
10400 Fernwood Road, Bethesda, Maryland
20817, USA
(740) Shalva Gvaramadze
(540)

R
RENAISSANCE

(591) Black, white

(531) 27.05.05, 27.05.21
(511) 35, 43

(111) M 2016 27628
(151) 2016 09 14
(181) 2026 09 14
(210) AM 88369
(220) 2016 08 23
(732) RENAISSANCE HOTEL HOLDINGS, INC.
10400 Fernwood Road, Bethesda, Maryland
20817, USA
(740) Shalva Gvaramadze
(540)

PEHECCAHC

(511) 35, 43

(111) M 2016 27629
(151) 2016 09 14
(181) 2026 09 14
(210) AM 88370
(220) 2016 08 23
(732) RENAISSANCE HOTEL HOLDINGS, INC.
10400 Fernwood Road, Bethesda, Maryland
20817, USA
(740) Shalva Gvaramadze
(540)

რენესანსი

(511) 35, 43

(111) M 2016 27630
(151) 2016 09 19
(181) 2026 09 19
(210) AM 88481
(220) 2016 09 02
(732) LTD "KOPALA"
Chekhovis q. 8/10, 0103, Tbilisi, Georgia
(540)



კოპალა

(591) White, cornelian red, black, golden
(531) 05.07.10, 27.05.08, 28.19, 29.01.13
(511) 35, 43

(111) M 2016 27631 R
(151) 2016 09 20
(181) 2026 09 20
(210) AM 88410
(220) 2016 08 26
(732) LTD "INTERCO TRAVEL"
I. Chavchavadzis gamz. 33a, b. 42, 0179,
Tbilisi, Georgia
(740) Berdia Akhalbedashvili
(540)



(591) White, orange, cornelian red
(531) 26.04.24, 27.05.24, 28.19, 29.01.14
(511) 39

(111) M 2016 27632 R
(151) 2016 09 20
(181) 2026 09 20
(210) AM 88411
(220) 2016 08 26
(732) LTD "INTERCO TRAVEL"
I. Chavchavadzis gamz. 33a, b. 42, 0179,
Tbilisi, Georgia
(740) Berdia Akhalbedashvili
(540)



(591) White, orange, cornelian red
(531) 26.04.24, 27.05.01, 27.05.24, 29.01.13
(511) 39

INTERNATIONAL TRADEMARKS FOR WHICH A DECISION ON GRANTING PROTECTIONS IS TAKEN

The decision can be appealed at the Chamber of Appeal of Sakpatenti within 3 months from the publication or at the Mtskheta District Court Administrative Cases Board (Address: №17, Samkhedro str., Mtskheta), within 1 month following the publication.

(260) AM 2016 83741 A
(800) 1262653
(891) 2015 06 25
(731) Obschestvo s ogranichennoy otvetstvennostyu "MAY"
1 Ozernaya, RU-141191 Fryazino
Moskovskoy obl. Ru, Russian Federation

(540)



(591) White, black, yellow, orange, bordeaux red, brown, gray

(511)

30 – Tea.

(260) AM 2016 84239 A
(800) 1267697
(891) 2015 08 12
(731) FARMAPRIM S.R.L.
Str. Crinilor nr. 5, Porumbeni, MD-4829
Criuleni, Republic of Moldova

(540)

GRANDIFERON
ГРАНДИФЕРОН

(591) Black, white

(511)

5 – Pharmaceutical and veterinary products; sanitary products for medical purposes; dietetic food and substances for medical or veterinary use, food for babies; food supplements for humans and animals; plasters and materials for dressings; material for dental fillings and dental impressions; disinfectants; products for destroying vermin; fungicides, herbicides.

(260) AM 2016 84389 A
(800) 1269316
(891) 2015 07 15
(731) THE EUROPEAN COMPUTER DRIVING LICENCE FOUNDATION LIMITED
The Grange, Stillorgan Road, Blackrock, Co. Dublin, Ireland

(540)

EUROPEAN COMPUTER DRIVING LICENCE

(511)

9 – Instructional and teaching apparatus and instruments; computer software; compact discs; video and audio cassette tapes and discs; computer software and publications in electronic form supplied online from databases or from facilities provided on the Internet; none of the aforesaid goods relating to vehicle driving or to vehicle driving licences.

41 – Education and training; arranging and conducting competitions, seminars, conferences and workshops; publication of books and texts; instruction services; certification and examination services; none of the aforesaid services relating to vehicle driving or to vehicle driving licences.

(260) AM 2016 84508 A

(800) 1270865

(891) 2014 11 28

(731) BORSA ISTANBUL ANONIM SIRKETI,
Resitpasa Mahallesi, Tuncay Artun Caddesi,
Emirgan Sarıyer, TR-34467 İSTANBUL,
Turkey

(540)



(591) Blue and dark blue.

(511)

35 – Information, prices, statistical information within the scope of stock exchanges and organized market and calculations regarding financial and economic data of stock exchanges and organized market; accession of such information, prices and data to database; retention of database; arrangement and systematize of such information; computer aided processing information relating to stock exchanges and organized market; commercial services; information and consultancy services about services mentioned above; price analysis services; economic analysis and forecasting services, services regarding advertising, marketing and public relations; exhibition and trade fair organization services for commercial and advertising.

36 – Financial and monetary services; computer aided analysis of securities and index values; computer aided financial services; organizational consulting services regarding financial and monetary ser-

vices; computer aided services of providing of financial information; finance technologies.

38 – Communications services by satellite; communication services between computers; communication services by telephone communication services; services for transmission of images and messages with the help of computer; electronic mail services, fax services, Internet services; namely; transmission services of price information, statistical data, index data, settlement and custody data, brokerage operations data and other all financial and economic data.

41 – Education and training services; symposia, conferences, congresses and seminars organizing services, education services regarding finance technology computer software and hardware; publication services of price information, statistical data, index data, settlement and custody data, all financial and economic data regarding stock exchanges and organized market via books, periodical publications, magazines.

42 – Computer software services are as follows; computer programming services, services regarding design of computer software, services of regarding maintenance of computer software, services of updating of computer software, consultancy services in the area of computer software and hardware, services of building computer database, services of computer data recovery, services of correction of computer data, services of computer system analysis, services of computer renting, services of computer software renting, services of increasing computer programs, services of installation and setup of computer software, together with information, prices, statistical information in the scope of organized markets and stock exchanges calculations regarding economic and financial data of other all organized markets and stock exchanges and entry of database of such information, price and data, preserving them within database; testing, editing and systematizing of such information; services of software development on the subject of computer aided processing of information regarding stock exchanges and organized markets; services of software and hardware development in order to ensure purchasing and selling of precious stones together with capital market instruments, foreign exchange and precious metals, other agreements, documents and values which approved by the capital market board; software development services relating to determining and announcing prices consisted in stock exchanges and organized markets; software development services collection, matching and surveillance of purchase and sale orders in order to finalize them; software and hardware development services for settlement and custody services; software and hardware development services regarding distribution and publishing of price information regarding securities and other capital market

instruments, statistical data, index data, settlement and custody data, brokerage activities data; data center and hosting services, data center operation services, hardware maintenance and repair supporting services, communication link services.

(260) AM 2016 84567 A

(800) 1272311

(891) 2014 12 29

(731) DOMPE' FARMACEUTICI S.P.A.

Via San Martino della Battaglia, 12 I-20122
MILANO, Italy

(540)



(591) Black, red and white

(511)

5 – Pharmaceutical and veterinary preparations; sanitary preparations for medical purposes; dietetic food and substances adapted for medical or veterinary use, food for babies; dietary supplements for humans and animals; plasters, materials for dressings; material for stopping teeth, dental wax; disinfectants; preparations for destroying vermin; fungicides, herbicides.

41 – Education; providing of training; entertainment; sporting and cultural activities.

42 – Scientific and technological services and research and design relating thereto; industrial analysis and research services; design and development of computer hardware and software.

(260) AM 2016 84568 A

(800) 1272312

(891) 2014 12 29

(731) DOMPE' FARMACEUTICI S.P.A.

Via San Martino della Battaglia, 12, I-20122
MILANO, Italy

(540)



(591) Black, white

(511)

5 – Pharmaceutical and veterinary preparations; sanitary preparations for medical purposes; dietetic food and substances adapted for medical or veterinary use, food for babies; dietary supplements for humans and animals; plasters, materials for dressings; material for stopping teeth, dental wax; disinfectants; preparations for destroying vermin; fungicides, herbicides.

41 – Education; providing of training; entertainment; sporting and cultural activities.

42 – Scientific and technological services and research and design relating thereto; industrial analysis and research services; design and development of computer hardware and software.

(260) AM 2016 84569 A

(800) 1271503

(891) 2014 12 29

(731) DOMPE FARMACEUTICI S.P.A.

Via San Martino della Battaglia, 12 I-20122
MILANO, Italy

(540)



(591) black and white

(511)

5 – Pharmaceutical and veterinary preparations; sanitary preparations for medical purposes; dietetic food and substances adapted for medical or veterinary use, food for babies; dietary supplements for humans and animals; plasters, materials for dressings; material for stopping teeth, dental wax; disinfectants; preparations for destroying vermin; fungicides, herbicides.

41 – Education; providing of training; entertainment; sporting and cultural activities.

42 – Scientific and technological services and research and design relating thereto; industrial analysis and research services; design and development of computer hardware and software.

(260) AM 2016 84573 A

(800) 1271515

(891) 2015 07 16

(731) Dochirnie pidpriemstvo "KONDYTERSKA
KORPORATSIIA "ROSHEN"

Elektrykiv vul., 26/9, Kyiv 04176, Ukraine

(540)



(591) Red, yellow, green, black, gray and white

(511)

30 – Confectionery; caramels [candy]; sweetmeats [candy].

(260) AM 2016 84578 A

(800) 1271603

(891) 2015 06 15

(731) IMEX GROUP LLC

Tbilisyan Highway 25, 0052 Yerevan,
Armenia

(540)



(591) Blue, white and red

(511)

6 – Common metals and their alloys; metal building materials; transportable buildings of metal; materials of metal for railway tracks; non-electric cables and wires of common metal; ironmongery, small items of metal hardware; pipes and tubes of metal; safes; goods of common metal not included in other classes; ores.

17 – Rubber, gutta-percha, gum, asbestos, mica and goods made from these materials and not included in other classes; plastics in extruded form for use in manufacture; packing, stopping and insulating materials; flexible pipes, not of metal.

19 – Building materials (non-metallic); non-metallic rigid pipes for building; asphalt, pitch and bitumen; non-metallic transportable buildings; monuments, not of metal.

37 – Building construction; repair; installation services.

(260) AM 2016 84582 A

(800) 1271617

(891) 2015 07 27

(731) EUROPCAR GROUPE

2 rue René Caudron, Bâtiment OP, F-78960
Voisins le Bretonneux, France

(540)



(591) Purple, white and green

(511)

36 – Insurance services relating to vehicles; information and advice relating to all these services; all of the aforesaid services excluding services relating to supermarket trolleys.

39 – Transport; packaging and storage of goods; travel arrangement; transportation of persons or merchandise (by air, land or water); arranging for the transportation of persons or merchandise (by air, land or water); rental of vehicles for locomotion by air, land or water; rental of cars, camping cars, trucks, lorries, vans, coaches, buses, caravans; vehicle leasing services; arranging for the rental of vehicles for locomotion by air, land or water; rental of vehicle equipment and accessories; vehicle and transport reservation services; chauffeur services; rental of chauffeur driven vehicles; haulage services; courier services (messages or merchandise); vehicle towing services; hiring of transportation vehicles; information and advice relating to all these services; all of the aforesaid services excluding services relating to supermarket trolleys.

(260) AM 2016 84583 A

(800) 1272373

(891) 2015 07 22

(731) KIRCHHOFF ECOTEC GMBH

Stefanstraße 2, 58638 Iserlohn, Germany

(540)



(591) Black, white, blue

(511)

7 – Street washing machines, street sweeping machines.

12 – Chassis for waste collection vehicles, waste collection vehicles, lifting gears for waste collection vehicles, lifting gears for waste containers, waste collection containers as superstructures of waste collection vehicles, sewer cleaning vehicles, street sprinkler vehicles.

(260) AM 2016 84587 A

(800) 1271627

(891) 2015 06 29

(731) BIG STAR LIMITED Sp. z o.o.

Al. Wojska Polskiego 21/21a, PL-62-800

KALISZ, Poland

(540)



(591) White, dark and red

(511)

9 – Eyeglass frames; spectacle cases; sunglasses.

18 – Leather wallets; briefbags; haversacks; key cases; leather and imitation leather; vanity cases not fitted; Boston bags; baby carriers worn on the body; umbrellas; hiking rucksacks; trunks and suitcases; business card cases; wallets; purses; parasols; boxes made of leather; boxes of vulcanized fiber; net bags for shopping; bags for sports; school book bags; satchels; school knapsacks; garment carriers; shopping bags; beach bags; holdalls; wheeled shopping bags; handbags; suitcases.

25 – Clothing; footwear; hats; neckerchiefs; underwear; sweat-absorbent underwear; brassieres; blouses; tracksuit tops; sweat shirts; hooded sweatshirts; hooded tops; overalls; spots caps and hats; knitwear; aprons; suits; gaiters; vests; trunks; shirts; bathing suits; sports shirts with short sleeves; printed T-shirts; neckties; leggings; jackets; fur jackets; parkas; underpants; babies pants; ear muffs; overcoats; waist belts; money belts; coats; bathrobes; tights; gloves; socks; pants; trousers shorts; trousers; skirts; sweaters; scarfs; lounging robes; knit jackets; maillots; layettes; morning coats; tops; boxer shorts; casual shirts; short-sleeved shirts; short-sleeved or long-sleeved T-shirts; boots for sports; lace boots; beach shoes; rain boots; fittings of metal for footwear; sports shoes; leisure shoes; footwear not for sports; footwear for men and women; berets; caps; sports caps; visors; hoods; cap peaks.

(260) AM 2016 84588 A

(800) 1271628

(891) 2015 07 24

(731) BIG STAR LIMITED Sp. z o.o.

Al. Wojska Polskiego 21/21a, PL-62-800

KALISZ, Poland

(540)



(591) White and dark red

(511)

9 – Eyeglass frames; spectacle cases; sunglasses.

18 – Leather wallets; brief bags; haversacks; key cases; leather and imitation leather; vanity cases not fitted; Boston bags; baby carriers worn on body; umbrellas; hiking rucksacks; trunks and suitcases;

business card cases; wallets; purses; parasols; boxes made of leather; boxes of vulcanized fibre; net bags for shopping; bags for sports; school book bags; satchels; school knapsacks; garment carriers; shopping bags; beach bags; holdalls; wheeled shopping bags; handbags; suitcases.

25 – Clothing; footwear; hats; neckerchiefs; underwear; sweat-absorbent underwear; brassieres; blouses; tracksuit tops; sweat shirts; hooded sweatshirts; hooded tops; overalls; sports caps and hats; knitwear; aprons; suits; gaiters; vests; trunks; shirts; bathing suits; sports shirts with short sleeves; printed T-shirts; neckties; leggings; jackets; fur jackets; parkas; underpants; babies pants; ear muffs; overcoats; waist belts; money belts; coats; bathrobes; tights; gloves; socks; pants; trousers, shorts; trousers; skirts; sweaters; scarfs; lounging robes; knit jackets; mail-lots; layettes; morning coats; tops; boxer shorts; casual shirts; short-sleeved shirts; short-sleeved or long-sleeved T-shirts; boots for sports; lace boots; beach shoes; rain boots; fittings of metal for footwear; sports shoes; leisure shoes; footwear not for sports; footwear for men and women; berets; caps; sports caps; visors; hoods; cap peaks.

(260) AM 2016 84590 A

(800) 1271638

(891) 2015 08 06

(731) FERRING B.V.

Polarisavenue 144, NL-2132 JX Hoofddorp,
Netherlands

(540)

PROPESS

(511)

5 – Pharmaceutical preparations and substances; vaginal suppositories, hygienic products, preparations and substances.

10 – Pessaries, chiralurgical and medical apparatus and instruments; parts of and ancillaries for (as far as not included in other classes) all aforesaid materials.

(260) AM 2016 84591 A

(800) 1271681

(891) 2015 09 29

(731) IMPERIAL TOBACCO LIMITED

121 Winterstoke Road, Bristol BS3 2LL,
United Kingdom

(540)

SL-LINE

(511)

34 – Tobacco, whether manufactured or unmanufactured; tobacco products; cigarettes; cigars; tobacco substitutes, none being for medicinal or curative purposes; electronic cigarettes; liquids for electronic cigarettes; matches and smokers' articles.

(260) AM 2016 84595 A

(800) 1272413

(891) 2015 07 30

(731) ANATOLIY VASYLOVYCH HONCHAR

Vul. Myru., 33, s. Shylyvtsi, Khotynskyyi r-n
Chernivetska obl. 60022, Ukraine

(540)



(591) Black, white

(511)

6 – Bottle caps of metal; bottle closures of metal; closures of metal for containers; foils of metal for wrapping and packaging; hardware of metal, small; packaging containers of metal; preserve tins; reservoirs of metal; screw tops of metal for bottles; sealing caps of metal; tinplate; tinplate packings.

(260) AM 2016 84598 A

(800) 1272477

(891) 2015 09 02

(731) MAHARISHI VEDIC UNIVERSITY
LIMITED

69, Triq Kananea Attard ATD 2704, Malta

(540)

RAAM RAJ

(511)

45 – Astrological and spiritual services; counselling relating to spiritual direction; mentoring (spiritual), astrology consultation.

(260) AM 2016 84599 A

(800) 1272520

(891) 2015 09 23

(731) VIMPELCOM LTD

rechtspersoon naar het recht van Bermuda
Claude Debussylaan 88, NL-1082 MD
Amsterdam, Netherlands

(540)



(591) Black, white

(511)

35 – Advertising; business management; business administration; office functions; business development services, namely providing start up support for businesses of others; promotion and publicity for sustainability and innovation; promotion and publicity for the stimulation and inspiration of people to contribute to innovation for a more sustainable

world; providing information in the fields of business sustainability and innovation process, business management and business opportunities; charitable services, namely, organizing and conducting programs and projects aimed at the enabling and enhancement of education and employment.

38 – Telecommunications.

41 – Education; providing of training; entertainment; sporting and cultural activities; arranging and conducting of competitions for educational and innovative purposes; arranging and conducting of lectures, conferences and seminars for educational and innovative purposes; organizing and conducting educational programs and educational projects aimed at the enabling and enhancement of education and employment; organizing and conducting educational programs and educational projects aimed at inspiring young people to shape up their future; organizing of events and activities for educational, sportive, cultural and recreation purposes for charity and for the purpose of enabling and enhancement of education and employment.

(260) AM 2016 84600 A
(800) 1271723
(891) 2015 06 08
(731) CHANGZHOU TRINA SOLAR ENERGY CO., LTD.
No. 2 Trina Road, Trina PV Park, Xinbei District, 213031 Changzhou, Jiangsu, China
(540)

DUAL GLASS

(591) black and white
(511)

9 – Inverters [electricity]; distribution boxes [electricity]; junction boxes [electricity]; photovoltaic cells; battery chargers; accumulators, electric; batteries, electric; battery boxes; accumulator boxes; battery jars; accumulator jars; solar batteries.

(260) AM 2016 84602 A
(800) 642935
(891) 2015 08 24
(731) OMEGA SA (OMEGA AG) (OMEGA LTD)
Jakob-Stämpfli-Strasse 96, CH-2502
Biel/Bienne, Switzerland
(540)



(591) Black, white
(511)
14 – Watches and watch parts; jewelry products; jewelry.

(260) AM 2016 84605 A
(800) 642936
(891) 2015 08 23
(731) OMEGA SA (OMEGA AG) (OMEGA LTD)
Jakob-Stämpfli-Strasse 96, CH-2502
Biel/Bienne, Switzerland
(540)



(591) Black, white
(511)
14 – Watches and watch parts; jewelry products; jewelry.

(260) AM 2016 84607 A
(800) 891925
(891) 2015 10 20
(731) ADVANCED MUSIC, S.L.
Zamora, 45-47, Piso 6.A, E-08005
BARCELONA, Spain
(540)

sonar

(591) Black, white
(511)
41 – Education services, training, entertainment; sports and cultural activities; exhibitions for cultural purposes; club, discotheque and record producer services; recording of records; services of use of karaoke equipment, rental of audio equipment; music composition services; disc jockey services.

(260) AM 2016 84609 A
(800) 1271851
(891) 2015 02 10
(731) CYBEX GmbH
Riedinger Strasse 18, 95448 Bayreuth,
Germany
(540)

cybex

(591) black and white

(511)

3 – Bleaching preparations and other substances for laundry use; cleaning, polishing, scouring and abrasive preparations; soaps; perfumery, essential oils, cosmetics, hair lotions; dentifrices; prickly heat powder; washing and bleaching preparations.

10 – Dummies for babies; clinical thermometers; babies' bottles; medical apparatus and instruments; dental apparatus and instruments; veterinary apparatus and instruments; cushions for medical purposes; contraceptives, non-chemical; hair prostheses; orthopedic articles; suture materials.

12 – Vehicles for locomotion by land, air, water or rail; vehicles, namely tricycles, included in this class; pushchairs, included in this class, accessories for the aforesaid vehicles, namely child seats, carrying bags, shopping baskets, all of plastic or textile; child safety seats for motor vehicles and parts therefor, including padding, safety harnesses for vehicle seats.

18 – Trunks and travelling bags; umbrellas; parasols and walking sticks; whips, harness and saddlery, included in this class; bags included in this class; purses, included in this class, pocket wallets, ucksacks, satchels; sling bags for carrying infants, all being rucksack type bags; child carrier frames and baby swing carriers, all included in this class; bags for babies' accessories, included in this class; parasols for pushchairs, rain covers for pushchairs.

20 – Furniture, in particular children's furniture and parts therefor, included in this class; room decoration made out of wood or plastic; baby walkers; highchairs; table seats, infant changing tables; cradles, included in this class; sleeping bags for infants and small children, all for camping.

24 – Bed linen; baby blankets; curtains of textile material; duvets, textile wall hangings and furniture coverings; woolen blankets; blankets of textile; shower curtains, blankets made of terry cloth fabric; quilts; bath towels.

28 – Games and play things; rattles; dolls; baby swings; dolls, swimming pools for children.

35 – Advertising; business management; business administration; office functions; retail or wholesale services, mail order and retailing, in particular bringing together of a variety of goods, enabling customers to conveniently view and purchase those goods, presentation of these goods and publicity therefor, in particular via the Internet, over the telephone, through the post, through the distribution of samples in private or in public, through distribution of advertising material and through direct marketing, of bleaching preparations and other substances for laundry use, cleaning, polishing, scouring and abrasive preparations, soaps, perfumery, essential oils,

cosmetics, hair lotions, dentifrices, prickly heat powder, washing and bleaching preparations, dummies for babies, clinical thermometers, babies' bottles, medical apparatus and instruments, dental apparatus and instruments, veterinary apparatus and instruments, cushions for medical purposes, contraceptives, non-chemical, hair prostheses, orthopedic articles, suture materials, vehicles for locomotion by land, air, water or rail, vehicles, namely tricycles, pushchairs, accessories for the aforesaid vehicles, namely child seats, carrying bags, shopping baskets, all of plastic or textile, child safety seats for motor vehicles and parts therefor, including padding, safety harnesses for vehicle seats, leather and imitations of leather, and goods made of these materials, trunks and travelling bags, umbrellas, parasols and walking sticks, whips, harness and saddlery, bags, purses, pocket wallets, rucksacks, satchels, sling bags for carrying infants, all being rucksack type bags, child carrier frames and baby swing carriers, bags for babies' accessories, parasols for pushchairs, rain covers for pushchairs, furniture, in particular children's furniture and parts therefor, room decoration made out of wood, glass and/or plastic, baby walkers, highchairs, table seats, infant changing tables, cradles, sleeping bags for infants and small children, all for camping, bed linen, baby blankets, curtains of textile material, duvets, textile wall hangings furniture coverings, woolen blankets, blankets of textile, shower curtains, blanket made of terry cloth fabric, quilts, bath towels, games and play things, rattles, dolls, baby swings, dolls, swimming pools for children.

(260) AM 2016 84610 A

(800) 937309

(891) 2015 10 16

(731) Dr. Willmar Schwabe GmbH & Co. KG

Willmar-Schwabe-Strasse 4, 76227 Karlsruhe,
Germany

(540)

Lasea

(511)

5 – Pharmaceutical and veterinary preparations as well as preparations for health care.

(260) AM 2016 84611 A

(800) 1271858

(891) 2015 03 23

(731) SIOEN INDUSTRIES N.V.

Fabriekstraat 23, B-8850 Ardoorie, Belgium

(540)

SIOEN

(511)

25 – Clothing, footwear, headgear; underwear.

(260) AM 2016 84615 A
 (800) 1169081
 (891) 2015 10 12
 (731) SHENZHEN ANTOP TECHNOLOGY LIMITED
 Room 301, No.2 workshop, Qiaohua Industrial Zone, Luotian Forestry Center, Songgang Street, Bao'An District, SHENZHEN, China

(540)



(591) Black, white

(511)

9 – Aerials; transmitters of electronic signals; radios; modems; video telephones; optical communication equipment; network communication equipment; electric door bells; transponders; anti-theft warning apparatus.

(260) AM 2016 84616 A
 (800) 1218294
 (891) 2015 10 16
 (731) INTERNATIONAL HOUSE OF PANCAKES, LLC
 450 North Brand Blvd., 7th Floor Glendale CA 91203, USA

(540)



(591) Black, white

(511)

43 – Restaurant services; carry out food services.

(260) AM 2016 84617 A
 (800) 1219309
 (891) 2015 10 05
 (731) CHRISTAL, DEAN V.
 1482 East Valley Road, 701, Santa Barbara CA 93108, USA

(540)

Olaplex

(511)

3 – Hair care preparations; Hair coloring preparations; Hair relaxing preparations; Hair styling preparations; Preparations for permanent hair waves.

(260) AM 2016 84618 A
 (800) 1244965
 (891) 2015 10 16
 (731) INTERNATIONAL HOUSE OF PANCAKES, LLC
 450 North Brand Blvd., 7th Floor, Glendale CA 91203, USA

(540)

IHOP

(511)

43 – Restaurant services.

(260) AM 2016 84619 A
 (800) 1221899
 (891) 2015 10 20
 (731) ETI GIDA SANAYI VE TICARET ANONIM SIRKETI
 Organize Sanayi Bolgesi 11 Cadde, ESKISEHIR, Turkey

(540)



(591) Navy blue, black, white and red

(511)

30 – Biscuits, chocolates, pastries, crackers, wafers, cakes, tarts, confectionery, ice-cream, edible ices.

(260) AM 2016 84660 A
 (800) 1271874
 (891) 2015 05 13
 (731) NECİP YILDIRIM
 Altınşehir Mahallesi, 311. Sokak, 2C/14, Nilüfer, Bursa, Turkey

(540)



(591) Red, green, blue, yellow and orange are the feature of the mark.

(511)

35 – The bringing together, for the benefit of others, of perfumery, cosmetics, fragrances, deodorants for personal use and animals, soaps, dental care preparations, abrasive preparations, emery cloth, sandpaper, pumice stone, abrasive pastes, polishing preparations for leather, vinyl, metal, wood, dietary supplements, including those adapted for medical purposes, nutritional supplements, dietary supplements for slimming purposes, food for babies, herbs

and herbal beverages adapted for medicinal purposes, sanitary preparations for medical use, hygienic pads, hygienic tampons, plasters, materials for dressings, diapers, including those made of paper and textiles, ironmongery, small hardware of metal, tools and apparatus for shaving, epilation, manicure, pedicure and personal beauty care use, electrical hair straighteners and electric hand implements for hair curling, scissors, medical orthopaedic articles, babies bottles, babies pacifiers, teats, teethers for babies, lighting installations, lights for vehicles and interior-exterior spaces, steam generating installations, fog generators, steam generators, acetylene generators, electric and gas-powered devices, installations and apparatus for cooking, drying and boiling, electric laundry driers, hair driers, hand drying apparatus, water softening apparatus, water purification apparatus, water purification installations, waste water purification installations, bicycles and their bodies, handlebars and mudguards for bicycles, baby carriages, wheelchairs, pushchairs, paper and cardboard, paper and cardboard for packaging and wrapping purposes, cardboard boxes, paper towels, toilet paper, paper napkins, goods made of leather, imitations of leather or other materials, designed for carrying items, bags, boxes and trunks made of leather or stout leather, key cases, umbrellas, parasols, sun umbrellas, walking sticks, furniture, made of any kind of material, mattresses, pillows, air mattresses and cushions, not for medical purposes, sleeping bags for camping, water beds, not for medical purposes, mirrors, bouncing chairs for babies, playpens for babies, cradles, infant walkers, display boards, frames for pictures and paintings, identification plates, identification tags, nameplates, identification labels made of wood or synthetic materials, ornaments and decorative goods of wood, wax, beeswax, plastic or plaster bone, ivory or piaster, bamboo curtains, roller indoor blinds, slatted indoor blinds, trip curtains, bead curtains for decoration, curtain hooks, curtain rings, curtain tie-backs, curtain rods, ornaments and decorative goods of glass, porcelain, earthenware or clay, vases, textile goods for household use, curtains, bed covers, sheets (textile), pillowcases, blankets, quilts, towels, swaddling blankets, clothing, including underwear and outerclothing, other than special purpose protective clothing, socks, footwear, headgear, laces and embroidery, guipures, festoons, ribbons (haberdashery), ribbons and braid, fastening tapes for clothing, cords for clothing, letters and numerals for marking linen, embroidered emblems, badges for wear, not of precious metal, shoulder pads for clothing, buttons for clothing, fasteners for clothing, eyelets for clothing, zippers, buckles for shoes and belts, fasteners, shoe and belt buckles, pins, other than jewellery, adhesive patches for decoration of textile articles, laces, needles, sewing needles, needles for sewing machines, needles for knitting and

embroidery, boxes for needles, needle cushions, carpets, rugs, mats, wallpaper, wall hangings not of textile of goods, games and toys, arcade video game machines, game apparatus and machines for use with an external display screen and monitor, including those coin-operated, toys for outdoor playgrounds, parks and game parks, enabling customers to conveniently view and purchase those goods, such services may be provided by retail stores, wholesale outlets, by means of electronic media or through mail order catalogues.

(260) AM 2016 84661 A

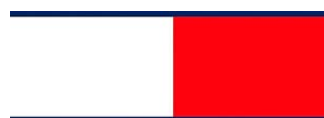
(800) 1271891

(891) 2015 07 29

(731) TOMMY HILFIGER LICENSING B.V.

Stadhouderskade 6, NL-1054 ES Amsterdam,
Netherlands

(540)



(591) Blue, red and white.

(511)

14 – Jewellery, namely, bracelets, necklaces, brooches, rings, earrings, charms, tie tacks, hat ornaments of precious metals, badges of precious metals, buckles for watchstraps; pins being jewellery, cufflinks, key rings (trinkets or fobs); jewellery and precious stones; horological and chronometric instruments, namely, watches, wrist watches, straps for wrist watches and watch cases, clocks, chronographs, chronometers, alarm clocks; watch cases; jewellery cases; shoe ornaments of precious metal; precious metals and their alloys.

18 – Leather unworked or semi worked and imitations of leather; animal skins; full line of bags, namely, all-purpose sports and athletic bags; overnight bags; book bags; tote bags; travelling bags; backpacks; handbags; luggage, namely suitcases; purses; brief cases; travel bags; duffel bags and cloth shopping bags; beach bags, wheeled shopping bags, school bags; garment bags for travel; straps for luggage; overnight cases; clutch bags; travel kit bags sold empty; suitcases with wheels attached; billfolds; wallets, pocket wallets, change purses, coin purses, key cases, leather credit card cases; combined money and credit card holders; card cases, cosmetic cases sold empty, cases and holders for cosmetic articles; beauty-cases for storing cosmetics; umbrellas, parasols and walking sticks; whips, collars for animals; harness for animals; animal skins, hides; leather trimmings for furniture; gut for making sausages.

24 – Fabrics and textile goods not included in other classes, namely, household linen, bed linen, bath li-

nen, bed sheets, pillow shams, pillow cases, blankets, comforters, quilts, bedspreads, bed covers, coasters, duvet covers, duvets, dust ruffles, mattress covers, towels of textile, bath towels, beach towels, travelling rugs, face cloths, shower curtains, table linen, table covers, table cloths, fabric table runners, table napkins of textile, place mats of textile material, curtains of textile, draperies, unfitted fabric furniture covers, fabric flags, handkerchiefs of textile; cloth labels; curtain tie-backs in the nature of textile curtain holders; net curtains; upholstery fabrics, wall hangings of textile; labels of textile for identifying clothing; labels of textile.

35 – Retail store services, and assistance on commercial business in connection with perfumery, cosmetics, clothing, footwear, headgear, textile goods, goods made of leather or imitations of leather, bags, eyewear, jewellery, watches, horological and chronometric instruments, household accessories and articles; the aforesaid services also in connection with franchising; online retail store services by mail order companies in the field of clothing, perfumery, household accessories, cosmetics, watches, jewellery, eyewear, records, compact discs, cassettes, videos, books, art pictures, cards, calendars, posters, prints, stickers and cartoon printed books; administrative services in respect of the closing of franchise agreements for perfumery, cosmetics, clothing, footwear, headgear, textile goods, goods made of leather or imitations of leather, bags, eyewear, jewellery, watches, horological and chronometric instruments, household accessories and articles; assistance in franchised commercial business management; organisation of trade fairs for commercial or advertising purposes; advertising; office functions; aforementioned services also provided via internet; presentation of goods on communication media, for retail purposes; commercial administration of the licensing of the goods and services of others; promotional services; sales promotion for others; personnel management consultancy; relocation services for businesses; secretarial services; accounting; rental of vending machines; sponsorship search.

(260) AM 2016 84668 A
(800) 1272204
(891) 2015 09 14
(731) ETA SA MANUFACTURE HORLOGÈRE
SUISSE
Schild-Rust-Strasse 17, CH-2540 Grenchen,
Switzerland

(540)

FLIK FLAK STORY TIME

(511)

14 – Precious metals and their alloys and goods made of these materials or coated therewith included in this class; jewelry, precious stones; timepieces and chronometric instruments.

(260) AM 2016 84669 A
(800) 1272205
(891) 2015 09 14
(731) ETA SA MANUFACTURE HORLOGÈRE
SUISSE
Schild-Rust-Strasse 17, CH-2540 Grenchen,
Switzerland

(540)

FLIK FLAK POWER TIME

(511)

14 – Precious metals and their alloys and goods made of these materials or coated therewith included in this class; jewelry, precious stones; timepieces and chronometric instruments.

(260) AM 2016 84670 A
(800) 1272206
(891) 2015 09 14
(731) ETA SA MANUFACTURE HORLOGÈRE
SUISSE
Schild-Rust-Strasse 17, CH-2540 Grenchen,
Switzerland

(540)

FLIK FLAK TREASURE & GIFTS

(511)

14 – Precious metals and their alloys and goods made of these materials or coated therewith included in this class; jewelry, precious stones; timepieces and chronometric instruments.

(260) AM 2016 84671 A
(800) 1272207
(891) 2015 09 14
(731) ETA SA MANUFACTURE HORLOGÈRE
SUISSE
Schild-Rust-Strasse 17, CH-2540 Grenchen,
Switzerland

(540)

FLIK FLAK FRIENDS & HEROES

(511)

14 – Precious metals and their alloys and goods made of these materials or coated therewith included in this class; jewelry, precious stones; timepieces and chronometric instruments.

(260) AM 2016 84674 A
(800) 1272251
(891) 2015 06 11
(731) PRIVATE JOINT STOCK COMPANY
"FOZZY RETAIL"
Promyslova Str., 5, Vyshneve, Kyiv-
Sviatoshyn District Kyiv Region 08132,
Ukraine

(540)



(591) Yellow and black.

(511)

35 – Advertising; business management; business administration; office functions; commercial information agencies; administrative processing of purchase orders; cost price analysis; analytical information services for commercial or advertising purposes; audio, video, photo advertising; auctioneering; outsourced administrative management for companies; marketing studies; opinion polling; invoicing; payroll preparation; tax preparation; demonstration of goods; business inquiries; business management assistance; assistance to customers in choosing and acquisition of various goods, including loyalty programs; research and forecasting services with regard to the goods and services markets; business research; economic forecasting; providing business information via a web site; compilation of statistics; compilation of information into computer databases; import-export agencies; business information; business management of reimbursement programmes for others; commercial information and advice for consumers (consumer advice shop); commercial administration of the licensing of the goods and services of others; computerized file management; business management consultancy; marketing; marketing research; provision of commercial and business contact information; provision of an on-line marketplace for buyers and sellers of goods and services; rental of advertising time on communication media; writing of publicity texts; organization of exhibitions or trade fairs for commercial or advertising purposes; organization of various events, actions, campaigns, promotion campaigns, contests, quizzes, shows, and presentations for commercial or advertising purposes, including organization thereof on the Internet; shop window dressing; business appraisals; business management and organization consultancy; business efficiency expert services; outsourcing services (business assistance); commercial intermediation services; price comparison services; tax filing services; public relations; procurement services for others (purchasing goods and services for other businesses); sponsorship search; presentation of goods on communication media, for retail purposes; publicity material rental; publication of publicity texts; on-line advertising on a computer network; dissemination of advertising matter; distribution of samples; the bringing together for the benefit of others of the assortment of various goods (excluding

the transport thereof) that enables customers to conveniently view and buy these goods at the wholesale and retail outlets or shops, on-line shops, through mail order catalogues or by means of electronic media; the bringing together on the Internet and on web pages and web-sites of information as to the choice of various food and non-food products and list of services that allows customers to conveniently view, order and buy these goods and order services from web-sites and web pages on the Internet, as well as get all required information about these good and services; business investigations; sales promotion for others; production of advertising films; telemarketing services; negotiation and conclusion of commercial transactions for third parties; professional business consultancy.

39 – Transport; packaging and storage of goods; travel arrangement; arranging of travel tours; freight brokerage; freight [shipping of goods]; internal and international transportation services; transportation information; delivery of goods; freight forwarding; providing information about delivery of goods and services; stevedoring; guarded transport of valuables; warehousing; traffic information; storage information; lighterage services; transportation logistics; piloting; wrapping of goods; garage rental; parking place rental; rental of warehouses; packaging of goods; hauling; portage; transport reservation; transport brokerage; bottling services; courier services (messages or merchandise); shipbrokerage; taxi transport; chauffeur services; car rental; reservation of cars for rent or leasing; railway truck rental; frozen-food locker rental; rental of storage containers; rental of freezers; rental of navigational systems; vehicle rental; unloading cargo; freighting.

43 – Services for providing food and drink; temporary accommodation; hotels; providing campground facilities; snack-bars; canteens; cafés; cafeterias; food and drink catering; motels; rental of meeting rooms; rental of temporary accommodation; bar services; holiday camp services (lodging); rental of drinking water dispensers; rental of tents; rental of cooking apparatus; rental of lighting apparatus; rental of transportable buildings; rental of chairs, tables, table linen, glassware; hotel reservations; temporary accommodation reservations; restaurants; self-service restaurants; food sculpting; tourist homes; hostels.

(260) AM 2016 84676 A

(800) 1272253

(891) 2015 09 22

(731) CELGENE CORPORATION

86 Morris Avenue, Summit, NJ 07901, USA

(540)

IDHISO

(511)

5 – Pharmaceutical preparations for use in the treatment of leukemia, auto-inflammatory diseases, auto-immune diseases, blood diseases, cancer, arthritis, musculoskeletal and skin diseases in the fields of oncology, immunology and inflammation; pharmaceutical preparations, namely, cytokine inhibitory drugs; pharmaceutical preparations that modulate the immune system.

(260) AM 2016 84677 A

(800) 1272254

(891) 2015 09 22

(731) CELGENE CORPORATION

86 Morris Avenue, Summit, NJ 07901, USA

(540)

FIDHIRO

(511)

5 – Pharmaceutical preparations for use in the treatment of leukemia, auto-inflammatory diseases, auto-immune diseases, blood diseases, cancer, arthritis, musculoskeletal and skin diseases in the fields of oncology, immunology and inflammation; pharmaceutical preparations, namely, cytokine inhibitory drugs; pharmaceutical preparations that modulate the immune system.

(260) AM 2016 84710 A

(800) 1272674

(891) 2015 05 13

(731) ÖNSA GIDA SANAYİ VE TİCARET

LİMİTED ŞİRKETİ

Kocatepe Mah., Mega Center A-Blok No:214,
Bayrampaşa İstanbul, Turkey

(540)



(591) dark blue, light blue, gold, black and white

(511)

3 – Bleaching preparations and other substances for laundry use; cleaning, polishing, scouring and abrasive preparations; soaps; perfumery, essential oils, cosmetics, hair lotions; dentifrices; cleaning preparations and toilet preparations; deodorants for human beings or for animals; room fragrancing preparations; sanitary preparations being toiletries.

5 – Pharmaceutical and veterinary preparations; sanitary preparations for medical purposes; dietetic food and substances adapted for medical or veterinary use, food for babies; dietary supplements for

humans and animals; plasters, materials for dressings; material for stopping teeth, dental wax; disinfectants; preparations for destroying vermin; fungicides, herbicides; sanitary preparations for personal hygiene, other than toiletries; deodorants other than for human beings or for animals; dietary supplements, intended to supplement a normal diet or to have health benefits; meal replacements, dietetic food and beverages, adapted for medical or veterinary use; cigarettes without tobacco, for medical purposes.

16 – Paper, cardboard and goods made from these materials, not included in other classes; printed matter; bookbinding material; photographs; stationery; adhesives for stationery or household purposes; artists' materials; paint brushes; typewriters and office requisites (except furniture); instructional and teaching material (except apparatus); plastic materials for packaging (not included in other classes); printers' type; printing blocks; paper, goods made from that material and office requisites, paper knives; duplicators; plastic sheets, sacks and bags for wrapping and packaging.

21 – Household or kitchen utensils and containers; combs and sponges; brushes (except paint brushes); brush-making materials; articles for cleaning purposes; steelwool; unworked or semi-worked glass (except glass used in building); glassware, porcelain and earthenware not included in other classes; small, hand-operated utensils and apparatus for household and kitchen use as well as toilet utensils, glassware and articles in porcelain; utensils and containers for household and kitchen use, for example, kitchen utensils, pails, pans of iron, of aluminium, of plastics or of other materials, small hand-operated apparatus for mincing, grinding, pressing, etc; electric combs; electric toothbrushes; dish stands and decanter stands.

(260) AM 2016 84722 A

(800) 1273126

(891) 2014 12 19

(731) TIKKURILA OYJ

Kuninkaalantie 1, FI-01300 Vantaa (FI),
Finland

(540)



(591) Red and white

(511)

2 – Paints, varnishes, lacquers; preservatives against rust and against deterioration of wood; colorants; mordants; raw natural resins; metals in foil and powder form for painters, decorators, printers and artists; glazing paints; primers; red lead; fireproof and bactericidal (antibacterial) paints; ceramic paints; colorants for textiles; bronzing lacquers and gildings; thinners and thickeners for paints, preservatives against rust and against deterioration of wood, metal, plastic and other building materials; coatings (paints); coatings; wood stains, glass stains, weather sealing stains, stains as paint, stains for use on floors, water repellent fungicidal wood stains; lime paint and whitewash; badigeon; drying agents for paints; adhesives and binders for colourants.

16 – Paper, cardboard; advertisement boards of paper or cardboard; napkins, tablemats, mats for dishes; printed matter; bookbinding material; photographs; stationery; adhesives for stationery or household purposes; artists' materials; paint brushes; typewriters and office requisites (except furniture); instructional and teaching material (except apparatus); plastic materials for packaging (not included in other classes); printers' type; printing blocks; color charts and cards; brochures; posters; guides; border stencils; printed material in the nature of color samples; printed information and instructional material regarding colours and colouring and also choice of colours and colouring; paint brushes and paint rollers; painting templates for paints and coatings used in exhibition spaces, as far as production material is included in this class; kraft paper; forms, blanks, stencils, templates, charts, diagrams; stickers; newsletters, magazines, printed publications, graphic images; modelling materials, architects' models; manuals (handbooks), instructional and teaching materials (not apparatus); business cards; envelopes; printed product advertisement material; printed advertisements, advertising publications, advertising posters, brochures and leaflets.

35 – Advertising; business management; business administration; office functions; electronic commerce and trading services, namely offering information about products via telecommunications networks for advertising and sales purposes; wholesale and retail services as well as Internet electronic commerce services in the paint, coating and surface treatment business relating to following goods: chemicals, paints, varnishes, lacquers, coatings, preservatives against rust and against deterioration of wood, colorants, mordants, unprocessed natural resins, stains, detergents, metals in foil and powder form for painters, decorators, printers and artists, printed matter, photographs, stationery, adhesives and glues, artist's materials, brushes and painting tools and instruments, rollers for painting; stencils for painting, protective plastic coatings, protective glue based coatings, mas-

king tapes, colour charts and cards, colour and paint samples, instructional and teaching equipment, plastic materials for packaging, building supplies, clothing, footwear, headgear, textiles, fabrics, curtains, materials for covering floor surfaces, wallpapers.

(260) AM 2016 84723 A

(800) 1272942

(891) 2015 05 11

(731) UAB "MIKROVISATA"

Savanorių pr. 125, LT-44146 Kaunas, Lithuania

(540)



(591) Dark blue, light blue and sombre grey

(511)

9 – Aerometers; 3D spectacles; accelerometers; accumulator jars; accumulator boxes; plates for batteries; anode batteries; aerials; antennas; batteries for lighting; USB flash drives; distance measuring apparatus; distance recording apparatus; altimeters; barometers; battery jars; battery chargers; battery boxes; cordless telephones; bar code readers; bullet-proof waistcoats; central processing units (processors); diagnostic apparatus, not for medical purposes; dictating machines; disks, magnetic; disk drives for computers; juke boxes for computers; data processing apparatus; batteries, electric; electronic tags for goods; electronic notice boards; electronic agendas; electronic pocket translators; electronic publications, downloadable; electronic pens (visual display units); transmitters of electronic signals; accumulators, electric; chargers for electric batteries; tripods for cameras; cameras (photography); stands for photographic apparatus; viewfinders, photographic; galvanic batteries; loudspeakers; horns for loudspeakers; cabinets for loudspeakers; speaking tubes; sound reproduction apparatus; audio- and video-receivers; sound recording apparatus; sound recording carriers; sound recording discs; cleaning apparatus for phonograph records; sound transmitting apparatus; global positioning system (GPS) apparatus; speed indicators; holograms; smartphones; computer programs, recorded; computer operating programs, recorded; tone arms for record players; encoded identification bracelets, magnetic; encoded key cards; encoded magnetic cards; compact disc players; comparators; compasses (measuring instruments); computer game software; computer memory devices; computer peripheral devices; computer keyboards; computer programs (downloadable software); printers for use with computers; hands free kits for phones; gauges; microprocessors; mobile telephones; cell phones; cellular phones; cell phone straps; modems; monitors (computer hardware); nautical apparatus and instruments; navigational ins-

truments; portable media players; walkie-talkies; optical discs; optical character readers; downloadable ring tones for mobile phones; computer software applications, downloadable; downloadable music files; downloadable image files; mouse pads; mouse (computer peripheral); tablet computers; radio pagers; baby monitors; processors (central processing units); projection apparatus; projection screens; transparency projection apparatus; magic lanterns; masts for wireless aerials; radios; headphones; transmitting sets (telecommunication); radiotelephony sets; refractors; wrist rests for use with computers; solar batteries; solar panels for the production of electricity; interfaces for computers; digital signs; electronic book readers; digital photo frames; abacuses; laptop computers; sleeves for laptops; bags adapted for laptops; cases especially made for photographic apparatus and instruments; television apparatus; teleprompters; milage recorders for vehicles; navigation apparatus for vehicles (on-board computers); notebook computers; video screens; memory cards for video game machines; camcorders; video baby monitors; video telephones; buzzers; pedometers.

35 – The bringing together, for the benefit of others, of a variety of goods in relation to scientific and nautical apparatus and instruments, surveying and photographic apparatus and instruments, cinematographic and optical apparatus and instruments, weighing and measuring apparatus and instruments, signalling and checking (supervision) apparatus and instruments, life-saving and teaching apparatus and instruments, apparatus and instruments for conducting and switching electricity, apparatus and instruments for transforming and accumulating electricity, apparatus and instruments for regulating or controlling electricity, apparatus for recording and transmission or reproduction of sound or images, magnetic data carriers, recording discs, compact discs, DVDs, digital recording media, mechanisms for coin-operated apparatus, cash registers, calculating machines, data processing equipment, computers, computer software, fire-extinguishing apparatus (excluding the transport thereof), enabling customers to conveniently view and purchase those goods in retail stores, wholesale outlets, through mail order catalogues or by means of electronic media; organization of trade fairs for commercial or advertising purposes.

(260) AM 2016 84724 A

(800) 1273127

(891) 2015 03 11

(731) AUTUMNPAPER LIMITED

5th Floor Rear Suite, Oakfield House,
35 Perrymount Road, Haywards Heath West
Sussex RH16 3BW, United Kingdom

(540)

MCQ

(511)

3 – Soaps; perfumes; essential oils; eau de Cologne; toilettries; talcum powder, for toilet use; shampoos; bath preparations, not for medical purposes; bath salts, not for medical purposes; tissues impregnated with cosmetic lotions; cosmetic creams; almond milk for cosmetic purposes; lotions for cosmetic purposes; cosmetic preparations for skin care; cosmetics; hair lotions; dentifrices; deodorants; preparations for use before shaving and after shaving.

9 – Spectacles; sunglasses; contact lenses; spectacle frames; spectacle cases; eyeglasses cords; pince-nez; pince-nez cases; eyeglass frames; eyeglass cords; binoculars; goggles for sports; computer software applications, downloadable; computers; computer game software; telecommunication transmitting sets.

14 – Precious metals, unwrought or semi-wrought; alloys of precious metal; semi-precious stones; precious stones; watches; clocks; jewellery and imitation jewellery; bracelets; brooches; necklaces; earrings; chains; tie pins; cufflinks; diamonds; pearls; cases for jewellery; cases for watches; straps for wristwatches; watch chains.

18 – Handbags; backpacks; travelling bags; suitcases; trunks; haversacks; fur; fur-skins; collars for animals; covers for animals; boxes of leather or leather board; wallets; key cases; briefcases; card cases; vanity cases, not fitted; parasols; purses; umbrellas; walking sticks; whips; leather pouches; leather leads; furniture coverings of leather.

25 – Clothing; footwear; headgear; boots; shoes; heels; slippers; bath slippers; sandals; sports shoes; socks; hosiery; tights; hats; caps (headwear); berets; scarves; gloves (clothing); mittens; belts (being articles of clothing); T-shirts; shirts; trousers; bathing trunks; bathing suits; underwear; bodices (lingerie); bath robes; outerclothing; coats; jackets; parkas; waterproof clothing; suits; jumpers; knitwear; leggings; neckties; pyjamas; waistcoats; headbands (clothing); wristbands; skirts; jerseys; dresses; stockings; vests; shawls; overalls; sleep masks; cuffs; fur stoles.

35 – Retail services connected with the sale of soaps, perfumes, essential oils, eau de Cologne, toilettries, talcum powder, for toilet use, shampoos, bath preparations, not for medical purposes, bath salts, not for medical purposes, tissues impregnated with cosmetic lotions, preparations for body and beauty care, cosmetics, hair lotions, dentifrices, deodorants, preparations for use before shaving and after shaving, spectacles, sunglasses, contact lenses, spectacle frames, spectacle cases, eyeglasses cords, pince-nez, pince-nez cases, eyeglass frames, eyeglass cords, binoculars, goggles for sports, computer software applications, downloadable,

computers, computer game software, telecommunication transmitting sets, precious metals, unwrought or semi-wrought, alloys of precious metal, semi-precious stones, precious stones, watches, clocks, jewellery and imitation jewellery, bracelets, brooches, necklaces, earrings, chains, tie pins, cufflinks, diamonds, pearls, cases for jewellery, cases for watches, straps for wristwatches, watch chains, handbags, backpacks, travelling bags, suitcases, trunks, haversacks, fur, fur-skins, collars for animals, covers for animals, boxes of leather or leather board, wallets, key cases, briefcases, card cases, vanity cases, not fitted, parasols, purses, umbrellas, walking sticks, whips, envelopes of leather, leather leads, furniture coverings of leather, clothing, footwear, headgear, boots, shoes, heels, slippers, bath slippers, sandals, sports shoes, socks, hosiery, tights, hats, caps (headwear), berets, scarves, gloves (clothing), mittens, belts (being articles of clothing), t-shirts, shirts, trousers, bathing trunks, bathing suits, underwear, bodices (lingerie), bath robes, outerclothing, coats, jackets, parkas, waterproof clothing, suits, jumpers, knitwear, leggings, neckties, pyjamas, waistcoats, headbands (clothing), wristbands, skirts, jerseys, dresses, stockings, vests, shawls, overalls, sleep masks, cuffs and fur stoles; online retail services connected with the sale of soaps, perfumes, essential oils, eau de Cologne, toiletries, talcum powder, for toilet use, shampoos, bath preparations, not for medical purposes, bath salts, not for medical purposes, tissues impregnated with cosmetic lotions, preparations for body and beauty care, cosmetics, hair lotions, dentifrices, deodorants, preparations for use before shaving and after shaving, spectacles, sunglasses, contact lenses, spectacle frames, spectacle cases, eyeglasses cords, pince-nez, pince-nez cases, eyeglass frames, eyeglass cords, binoculars, goggles for sports, computer software applications, downloadable, computers, computer game software, telecommunication transmitting sets, precious metals, unwrought or semi-wrought, alloys of precious metal, semi-precious stones, precious stones, watches, clocks, jewellery and imitation jewellery, bracelets, brooches, necklaces, earrings, chains, tie pins, cufflinks, diamonds, pearls, cases for jewellery, cases for watches, straps for wristwatches, watch chains, handbags, backpacks, travelling bags, suitcases, trunks, haversacks, fur, fur-skins, collars for animals, covers for animals, boxes of leather or leather board, wallets, key cases, briefcases, card cases, vanity cases, not fitted, parasols, purses, umbrellas, walking sticks, whips, envelopes of leather, leather leads, furniture coverings of leather, clothing, footwear, headgear, boots, shoes, heels, slippers, bath slippers, sandals, sports shoes, socks, hosiery, tights, hats, caps (headwear), berets, scarves, gloves (clothing), mittens, belts (being articles of clothing), t-shirts, shirts, trousers, bathing trunks, bathing suits, underwear, bodices (lingerie), bath robes, outerclothing, coats, jackets, parkas, waterproof clothing, suits, jumpers, knitwear, leggings, neckties, pyjamas, waistcoats, headbands (clothing), wristbands, skirts, jerseys, dresses, stockings, vests, shawls, overalls, sleep masks, cuffs and fur stoles.

hing, coats, jackets, parkas, waterproof clothing, suits, jumpers, knitwear, leggings, neckties, pyjamas, waistcoats, headbands (clothing), wristbands, skirts, jerseys, dresses, stockings, vests, shawls, overalls, sleep masks, cuffs and fur stoles; department store retail services connected with the sale of soaps, perfumes, essential oils, eau de Cologne, toiletries, talcum powder, for toilet use, shampoos, bath preparations, not for medical purposes, bath salts, not for medical purposes, tissues impregnated with cosmetic lotions, preparations for body and beauty care, cosmetics, hair lotions, dentifrices, deodorants, preparations for use before shaving and after shaving, spectacles, sunglasses, contact lenses, spectacle frames, spectacle cases, eyeglasses cords, pince-nez, pince-nez cases, eyeglass frames, eyeglass cords, binoculars, goggles for sports, computer software applications, downloadable, computers, computer game software, telecommunication transmitting sets, precious metals, unwrought or semi-wrought, alloys of precious metal, semi-precious stones, precious stones, watches, clocks, jewellery and imitation jewellery, bracelets, brooches, necklaces, earrings, chains, tie pins, cufflinks, diamonds, pearls, cases for jewellery, cases for watches, straps for wristwatches, watch chains, handbags, backpacks, travelling bags, suitcases, trunks, haversacks, fur, fur-skins, collars for animals, covers for animals, boxes of leather or leather board, wallets, key cases, briefcases, card cases, vanity cases, not fitted, parasols, purses, umbrellas, walking sticks, whips, envelopes of leather, leather leads, furniture coverings of leather, clothing, footwear, headgear, boots, shoes, heels, slippers, bath slippers, sandals, sports shoes, socks, hosiery, tights, hats, caps (headwear), berets, scarves, gloves (clothing), mittens, belts (being articles of clothing), t-shirts, shirts, trousers, bathing trunks, bathing suits, underwear, bodices (lingerie), bath robes, outerclothing, coats, jackets, parkas, waterproof clothing, suits, jumpers, knitwear, leggings, neckties, pyjamas, waistcoats, headbands (clothing), wristbands, skirts, jerseys, dresses, stockings, vests, shawls, overalls, sleep masks, cuffs and fur stoles.

(260) AM 2016 84727 A

(800) 1273146

(891) 2015 01 26

(731) CROSS COMPANY INC.

2-8, Saiwaicho, Kita-ku, Okayama-shi,

Okayama 700-0903, Japan

(540)

FAIRFASHION

(511)

9 – Eyeglasses; sunglasses; goggles for sports; eyeglass frames; eyeglass lenses; contact lenses; eyeglass cases; containers for contact lenses; eyeglass chains; eyeglass cords; parts and accessories for eyeglasses;

prerecorded audio compact discs; prerecorded video compact discs; cell phone straps; downloadable digital books; downloadable music files; downloadable image files.

14 – Precious metals; precious stones and their imitations; semi-precious stones; gemstones; jewelry; paste jewelry as costume jewelry; diamonds; jewelry of yellow amber; ivory jewelry; cloisonne jewelry; pearls as jewelry; beads made of ambroid also known as pressed amber; earrings; necklaces as jewelry; rings as jewelry; bracelets as jewelry; jewelry chains; brooches as jewelry; gem brooches as jewelry; pendants as jewelry; charms as jewelry; ornamental pins; tie pins; tie clips; cuff links; badges of precious metal; medals; medallions as jewelry; key rings, being trinkets or fobs, of precious metal; jewelry cases in the form of caskets; jewelry boxes; boxes of precious metal; hat ornaments of precious metal; shoe ornaments of precious metal; clocks; watches; straps for wristwatches; watch bands; watch straps; watch chains.

16 – Stationery and study materials, namely, paper stationery, notebooks, albums for holding photographs, envelopes, writing pads, writing paper, writing implements, pens and pencils, marking pens as stationery, pen stands, pen cases, clips for letters, erasers, seals being stationery, stickers, rulers as stationery, files and binders, labels, not of textile; ink; inkstands; paper knives for offices; paperweights; stamps as seals; stamps as office requisites; terrestrial globes; printed matter, namely, greeting cards, post cards, calendars, diaries, newspapers, maps, books and magazines; paper and cardboard; towels of paper; table napkins of paper; hand towels of paper; handkerchief of paper; tissues; paper bags.

18 – Attache cases; backpacks; bags for sports; beach bags; boston bags; briefcases; business card cases in the nature of wallets; calling card cases in the nature of wallets; canvas bags for shopping; mesh bags for shopping; carry-on bags; coin purses; cosmetic bags sold empty; credit card cases; garment bags for travel; gladstone bags; gym bags; handbags; key cases of leather; card cases of leather; notecases of leather; pocket wallets; purses; rucksacks; school bags and satchels; shoulder bags; suitcases; tote bags; travelling bags; trunks being luggage; waist pouches; imitation leather; leather and fur, unworked or semi-worked; umbrellas; parasols; umbrella covers.

21 – Dental floss; unworked or semi-worked glass, except building glass; electric toothbrushes; gloves for household purposes; containers for household use; portable food or beverage containers; cooking pots and pans; non-electric coffee-makers; kettles; drinking cups; drinking glasses; dishes and plates; salad bowls; dish covers; decanters; lunch boxes; jugs; drinking flasks; salt and pepper shakers; bottle

openers, non-electric; napkin holders; trays; ladles; cake servers; candlesticks; candle extinguishers; flower pots; watering cans; feeding vessels for pets; bird cages; clothes brushes; boxes of metal for dispensing paper towels; soap dispensers; glass goldfish bowls; toilet paper holders; flower vases; perfume burners; cosmetic utensils; toilet utensils; make-up brushes; perfume sprayers; vanity cases, fitted; soap holders; hair brushes; combs; shoe brushes; shoe horns.

25 – Clothing, namely, suits, dresses, coats, overcoats, jackets, rainwear, pants, trousers, shorts, jeans, skirts, blouses, shirts, T-shirts, vests, sweaters, cardigans, underwear and nightwear; sweat suits; swimwear; ties; scarves; shawls; mufflers; gloves for wear; socks; tights; leggings; sock suspenders; stocking suspenders; braces for clothing; Japanese style clothing being kimonos; sashes; wedding dresses; masquerade costumes; waist belts for clothing; headgear, namely, caps, hats and visors; footwear, namely, shoes, boots, sports shoes, sandals, slippers, Japanese style clogs and sandals.

35 – Retail and wholesale store services and online retail services for eyeglasses, sunglasses, goggles for sports, eyeglass frames, eyeglass lenses, contact lenses, eyeglass cases, containers for contact lenses, eyeglass chains, eyeglass cords, parts and accessories for eyeglasses, prerecorded audio compact discs, prerecorded video compact discs, cell phone straps, downloadable digital books, downloadable music files and downloadable image files; retail and wholesale store services and online retail services for jewelry, paste jewelry, earrings, necklaces, rings [jewelry], bracelets [jewelry], jewelry chains, brooches, pendants [jewelry], charms, tie pins, tie clips, cuff links, key rings, being trinkets or fobs, of precious metal, jewelry boxes, hat ornaments of precious metal, shoe ornaments of precious metal, semi-wrought precious and semi-precious stones, clocks and watches; retail and wholesale store services and online retail services for stationery and study materials, paper stationery, notebooks, albums for holding photographs, envelopes, writing pads, writing paper, writing implements, pens and pencils, marking pens as stationery, pen stands, pen cases, clips for letters, erasers, seals being stationery, stickers, rulers as stationery, files and binders, labels not of textile, ink, inkstands, paper knives for offices, paperweights, stamps as seals, stamps as office requisites, terrestrial globes, printed matter, greeting cards, post cards, calendars, diaries, newspapers, maps, books and magazines, paper and cardboard, tissues of paper; retail and wholesale store services and online retail services for handbags, attache cases, briefcases, backpacks, carry-on bags, cosmetic bags sold empty, key cases of leather, pocket wallets, purses, shoulder bags, travelling bags, waist pouches, umbrellas, parasols and umbrella covers; retail and wholesale store services and online retail services

for dental floss, unworked or semi-worked glass, except building glass, electric toothbrushes, gloves for household purposes, containers for household use, portable food or beverage containers, cooking pots and pans, non-electric coffee-makers, kettles, drinking cups, drinking glasses, dishes and plates, salad bowls, dish covers, decanters, lunch boxes, jugs, drinking flasks, salt and pepper shakers, bottle openers, napkin holders, trays, ladles, cake servers, perfume burners, cosmetic utensils, toilet utensils, make-up brushes, make-up pencils, perfume sprayers, vanity cases fitted, soap holders, hair brushes, combs, shoe brushes and shoehorns; retail and wholesale store services and online retail services for clothing, suits, dresses, coats, overcoats, jackets, rainwear, pants, trousers, shorts, jeans, skirts, blouses, shirts, T-shirts, vests, sweaters, cardigans, underwear, nightwear, sweat suits, swimwear, ties, scarves, shawls, mufflers, gloves, socks, tights, leggings, sock suspenders, stocking suspenders, braces for clothing, Japanese style clothing being kimonos, sashes, wedding dresses, waist belts for clothing, caps, hats, visors, shoes, boots, sports shoes, sandals, slippers, Japanese style clogs and sandals; retail and wholesale store services and online retail services for pharmaceutical, veterinary and sanitary preparations and medical supplies; presentation of goods on communication media for advertising purposes; advertising; auctioneering; import-export agencies; advertising for sales promotion for others.

(260) AM 2016 84731 A

(800) 1273254

(891) 2015 09 08

(731) DHL International GmbH

Charles-de-Gaulle-Str 20, 53113 Bonn,

Germany

(540)

DHL Global Forwarding

(511)

36 – Customs brokerage; transport insurance brokerage; transit insurance underwriting.

39 – Transport services, in particular transport of goods by motor vehicle, lorry, rail, ship and aeroplane; packaging and storage of goods; transport of goods, in particular packages, parcels, letters; transportation information; freight brokerage; transport brokerage; transportation logistics; courier services [messages or merchandise]; storage information; tracking and tracing services for letters and parcels; freight forwarding by land; freight forwarding by air; freight forwarding by sea.

(260) AM 2016 84735 A

(800) 1272998

(891) 2015 07 23

(731) TAPMARK

Rue Beyaert 54, B-7500 TOURNAI,

Belgium

(540)

COLOUR YOUR LIFE

(511)

25 – Clothing and underwear for children and babies; ski jackets; anoraks [parkas]; after-ski boots; children's headgear; footwear and headgear for babies and infants; wind-resistant clothing; articles of clothing for theatrical use; ballet flats [flat shoes]; bandanas [neckerchiefs]; headbands [clothing]; stockings and tights; romper suits; baby bottoms; children's and infants' cloth bibs; plastic baby bibs; Bermuda shorts; blazers; overalls; blue jeans; bodysuits for babies; teddies [undergarments]; knotted caps for babies; bathing caps; shower caps; ski hats; snowboard boots; boots and shoes; half-boots; suspenders; caps; caps with visors; leather belts [clothing]; belts made from imitation leather; belts of textile [clothing]; rain hats; hats for infants, babies, toddlers and children; socks; baby booties; dance slippers; beach footwear; footwear for sports; shoes and boots for young children; short-sleeve shirts; blouses; woolen tights; ski suits; pram suits; pajamas, dressing gowns; dresses, skirts, trousers, jackets, coats, sweaters; fleece pullovers; ponchos; jumper suits.

(260) AM 2016 84736 A

(800) 1272999

(891) 2015 08 05

(731) ADP GAUSELMANN GMBH

Merkur-Allee 1-15, 32339 Espelkamp,

Germany

(540)

Merkur Nitro Jackpot

(511)

9 – Scientific, nautical, surveying, photographic, cinematographic, optical, weighing, measuring, signalling, checking (supervision), life-saving and teaching apparatus and instruments; apparatus and instruments for conducting, switching, transforming, accumulating, regulating or controlling electricity; apparatus for recording, transmission or reproduction of sound or images; magnetic data carriers, recording discs; compact discs, DVDs and other digital recording media; cash registers, calculating machines, data processing equipment, computers; computer software; fire-extinguishing apparatus; musical jukeboxes and parts for the aforesaid automatic machines; automatic cash dispensers, automatic money counting and money changing machines; mechanisms for coin-operated apparatus; computer and video games software; games software for use on any computer platform, including electronic entertainment and games consoles; programs for computer games; computer games; video games (software);

computer games provided through a global computer network or supplied by means of multi-media electronic broadcast or through telecommunications or electronic transmission or via the Internet; computer games, leisure and recreational software, video games programs and computer software, all provided in the form of storage media; programs for operating electric and electronic apparatus for games, amusement and/or entertainment purposes; automatic lottery machines; computer software for computer games on the Internet; online games (software); computer software in the form of an app for mobile devices and computers; calculating apparatus in coin-operated machines and parts for the aforesaid goods; apparatus for recording, transmission, processing or reproduction of data, including sound or images, including parts for all the aforesaid goods, except radio sets, television receivers, hi-fi systems, video recorders, telephone apparatus, fax machines and telephone answering machines; computer hardware and software for casino and amusement arcade games, for gaming machines, slot machines or video lottery gaming machines or games of chance via the Internet; electric, electronic, optical or automatic apparatus, for identifying data carriers, identity cards and credit cards, bank notes and coins; electric, electronic or optical alarm and monitoring installations, including video cameras and apparatus for image transmission and image processing; data processing equipment and computers, including data processing apparatus and computers being components for data networks and parts facilitating data network communications; electric wiring harnesses; circuit boards, printed board assemblies (electronic components) and combinations thereof being assemblies and equipment parts, included in this class.

28 – Games; toys; gymnastic and sporting articles not included in other classes; decorations for Christmas trees; gaming apparatus (including coin-operated apparatus); coin-operated arcade games (machines); games for amusement arcades (included in this class); coin-operated video gaming apparatus; video games apparatus adapted for use with external screens or monitors only; casino fittings, namely roulette tables, roulette wheels; coin-operated automatic gaming machines and gaming machines, in particular for gaming arcades, with or without a prize payout; electronic or electrotechnical gaming apparatus, gaming machines, games machines and slot machines operated by coins, tokens, banknotes, tickets or by means of electronic, magnetic or biometric storage media, in particular for commercial use in casinos and amusement arcades, with or without a prize payout; automatic gaming machines and gaming machines, in particular for commercial use in casinos and gaming arcades, with or without a prize payout; coin-operated gaming machines and/or electronic money-based gaming apparatus (machines), with or without prizes; housings adapted for gaming machi-

nes, gaming apparatus and automatic gaming machines, operated by means of coins, tokens, tickets or by means of electronic, magnetic or biometric storage media, in particular for commercial use in casinos and gaming arcades, with or without a prize payout; electronic games; apparatus for electronic games and parts thereof; video output game machines; drawing apparatus for prize games and lotteries, draws or raffles; housings of metal, plastic and/or wood for coin-operated automatic machines; apparatus for games (including video games), other than adapted for use with external screens or monitors only; electropneumatic and electric slot machines (gaming machines); gaming tables, in particular for table football, billiards, sliding games; quoits (playthings) and darts; apparatus for games, namely, electric, electronic or electromechanical apparatus for bingo games, lotteries or video lottery games and for betting offices, networked or unnetworked; LCD games consoles; automatic gaming machines; automatic gaming machines, gaming machines and apparatus operating in networks; apparatus and devices for accepting and storing money, being fittings for the aforesaid automatic machines, included in this class.

41 – Education; providing of training; entertainment; sporting and cultural activities; rental of automatic slot machines and entertainment machines for casinos; arranging and conducting games; gambling; operating lotteries; arranging of games via a computer network, including online and being applications for smartphones; on-line games services provided via a computer network; provision of entertainment and/or educational content for apps for mobile devices and computers; conducting quizzes by means of smartphone applications; providing casino facilities (gambling), betting offices; operating gaming establishments, arcades and/or online Internet casinos and betting platforms; gambling services via the Internet.

(260) AM 2016 84737 A

(800) 1273007

(891) 2015 08 10

(731) ADP GAUSELMANN GMBH

Merkur-Allee 1-15, 32339 Espelkamp, Germany

(540)

Wild Jumper

(511)

9 – Scientific, nautical, surveying, photographic, cinematographic, optical, weighing, measuring, signalling, checking (supervision), life-saving and teaching apparatus and instruments; apparatus and instruments for conducting, switching, transforming, accumulating, regulating or controlling electricity; apparatus for recording, transmission or reproduction of sound or images; magnetic data carriers, recording discs; compact discs, DVDs and other digital recording media; cash registers, calculating machines, data processing equipment, computers; com-

puter software; fire-extinguishing apparatus; musical jukeboxes and parts for the aforesaid automatic machines; automatic cash dispensers, automatic money counting and money changing machines; mechanisms for coin-operated apparatus; computer and video games software; games software for use on any computer platform, including electronic entertainment and games consoles; programs for computer games; computer games; video games (software); computer games provided through a global computer network or supplied by means of multi-media electronic broadcast or through telecommunications or electronic transmission or via the Internet; computer games, leisure and recreational software, video games programs and computer software, all provided in the form of storage media; programs for operating electric and electronic apparatus for games, amusement and/or entertainment purposes; automatic lottery machines; computer software for computer games on the Internet; online games (software); computer software in the form of an app for mobile devices and computers; calculating apparatus in coin-operated machines and parts for the aforesaid goods; apparatus for recording, transmission, processing or reproduction of data, including sound or images, including parts for all the aforesaid goods, except radio sets, television receivers, hi-fi systems, video recorders, telephone apparatus, fax machines and telephone answering machines; computer hardware and software for casino and amusement arcade games, for gaming machines, slot machines or video lottery gaming machines or games of chance via the Internet; electric, electronic, optical or automatic apparatus, for identifying data carriers, identity cards and credit cards, bank notes and coins; electric, electronic or optical alarm and monitoring installations, including video cameras and apparatus for image transmission and image processing; data processing equipment and computers, including data processing apparatus and computers being components for data networks and parts facilitating data network communications; electric wiring harnesses; circuit boards, printed board assemblies (electronic components) and combinations thereof being assemblies and equipment parts, included in this class.

28 – Games; toys; gymnastic and sporting articles not included in other classes; decorations for Christmas trees; gaming apparatus (including coin-operated apparatus); coin-operated arcade games (machines); games for amusement arcades (included in this class); coin-operated video gaming apparatus; video games apparatus adapted for use with external screens or monitors only; casino fittings, namely roulette tables, roulette wheels; coin-operated automatic gaming machines and gaming machines, in particular for gaming arcades, with or without a prize payout; electronic or electrotechnical gaming apparatus, gaming machines, games machines and slot machines operated by coins, tokens, banknotes, tickets or by

means of electronic, magnetic or biometric storage media, in particular for commercial use in casinos and amusement arcades, with or without a prize payout; automatic gaming machines and gaming machines, in particular for commercial use in casinos and gaming arcades, with or without a prize payout; coin-operated gaming machines and/or electronic money-based gaming apparatus (machines), with or without prizes; housings adapted for gaming machines, gaming apparatus and automatic gaming machines, operated by means of coins, tokens, tickets or by means of electronic, magnetic or biometric storage media, in particular for commercial use in casinos and gaming arcades, with or without a prize payout; electronic games; apparatus for electronic games and parts thereof; video output game machines; drawing apparatus for prize games and lotteries, draws or raffles; housings of metal, plastic and/or wood for coin-operated automatic machines; apparatus for games (including video games), other than adapted for use with external screens or monitors only; electropneumatic and electric slot machines (gaming machines); gaming tables, in particular for table football, billiards, sliding games; quoits (playthings) and darts; apparatus for games, namely, electric, electronic or electromechanical apparatus for bingo games, lotteries or video lottery games and for betting offices, networked or unnetworked; LCD games consoles; automatic gaming machines; automatic gaming machines, gaming machines and apparatus operating in networks; apparatus and devices for accepting and storing money, being fittings for the aforesaid automatic machines, included in this class.

41 – Education; providing of training; entertainment; sporting and cultural activities; rental of automatic slot machines and entertainment machines for casinos; arranging and conducting games; gambling; operating lotteries; arranging of games via a computer network, including online and being applications for smartphones; on-line games services provided via a computer network; provision of entertainment and/or educational content for apps for mobile devices and computers; conducting quizzes by means of smartphone applications; providing casino facilities (gambling), betting offices; operating gaming establishments, arcades and/or online Internet casinos and betting platforms; gambling services via the Internet.

(260) AM 2016 84739 A

(800) 1273012

(891) 2015 08 10

(731) ADP GAUSELMANN GMBH

Merkur-Allee 1-15, 32339 Espelkamp, Germany

(540)

Cash Collider

(591) black and white

(511)

9 – Scientific, nautical, surveying, photographic, cinematographic, optical, weighing, measuring, signalling, checking (supervision), life-saving and teaching apparatus and instruments; apparatus and instruments for conducting, switching, transforming, accumulating, regulating or controlling electricity; apparatus for recording, transmission or reproduction of sound or images; magnetic data carriers, recording discs; compact discs, DVDs and other digital recording media; cash registers, calculating machines, data processing equipment, computers; computer software; fire-extinguishing apparatus; musical jukeboxes and parts for the aforesaid automatic machines; automatic cash dispensers, automatic money counting and money changing machines; mechanisms for coin-operated apparatus; computer and video games software; games software for use on any computer platform, including electronic entertainment and games consoles; programs for computer games; computer games; video games (software); computer games provided through a global computer network or supplied by means of multi-media electronic broadcast or through telecommunications or electronic transmission or via the Internet; computer games, leisure and recreational software, video games programs and computer software, all provided in the form of storage media; programs for operating electric and electronic apparatus for games, amusement and/or entertainment purposes; automatic lottery machines; computer software for computer games on the Internet; online games (software); computer software in the form of an app for mobile devices and computers; calculating apparatus in coin-operated machines and parts for the aforesaid goods; apparatus for recording, transmission, processing or reproduction of data, including sound or images, including parts for all the aforesaid goods, except radio sets, television receivers, hi-fi systems, video recorders, telephone apparatus, fax machines and telephone answering machines; computer hardware and software for casino and amusement arcade games, for gaming machines, slot machines or video lottery gaming machines or games of chance via the Internet; electric, electronic, optical or automatic apparatus, for identifying data carriers, identity cards and credit cards, bank notes and coins; electric, electronic or optical alarm and monitoring installations, including video cameras and apparatus for image transmission and image processing; data processing equipment and computers, including data processing apparatus and computers being components for data networks and parts facilitating data network communications; electric wiring harnesses; circuit boards, printed board assemblies (electronic components) and combinations thereof being assemblies and equipment parts, included in this class.

28 – Games; toys; gymnastic and sporting articles not included in other classes; decorations for Christ-

mas trees; gaming apparatus (including coin-operated apparatus); coin-operated arcade games (machines); games for amusement arcades (included in this class); coin-operated video gaming apparatus; video games apparatus adapted for use with external screens or monitors only; casino fittings, namely roulette tables, roulette wheels; coin-operated automatic gaming machines and gaming machines, in particular for gaming arcades, with or without a prize payout; electronic or electrotechnical gaming apparatus, gaming machines, games machines and slot machines operated by coins, tokens, banknotes, tickets or by means of electronic, magnetic or biometric storage media, in particular for commercial use in casinos and amusement arcades, with or without a prize payout; automatic gaming machines and gaming machines, in particular for commercial use in casinos and gaming arcades, with or without a prize payout; coin-operated gaming machines and/or electronic money-based gaming apparatus (machines), with or without prizes; housings adapted for gaming machines, gaming apparatus and automatic gaming machines, operated by means of coins, tokens, tickets or by means of electronic, magnetic or biometric storage media, in particular for commercial use in casinos and gaming arcades, with or without a prize payout; electronic games; apparatus for electronic games and parts thereof; video output game machines; drawing apparatus for prize games and lotteries, draws or raffles; housings of metal, plastic and/or wood for coin-operated automatic machines; apparatus for games (including video games), other than adapted for use with external screens or monitors only; electro-pneumatic and electric slot machines (gaming machines); gaming tables, in particular for table football, billiards, sliding games; quoits (playthings) and darts; apparatus for games, namely, electric, electronic or electromechanical apparatus for bingo games, lotteries or video lottery games and for betting offices, networked or unnetworked; LCD games consoles; automatic gaming machines; automatic gaming machines, gaming machines and apparatus operating in networks; apparatus and devices for accepting and storing money, being fittings for the aforesaid automatic machines, included in this class.

41 – Education; providing of training; entertainment; sporting and cultural activities; rental of automatic slot machines and entertainment machines for casinos; arranging and conducting games; gambling; operating lotteries; arranging of games via a computer network, including online and being applications for smartphones; on-line games services provided via a computer network; provision of entertainment and/or educational content for apps for mobile devices and computers; conducting quizzes by means of smartphone applications; providing casino facilities (gambling), betting offices; operating gaming establishments, arcades and/or online Internet

casinos and betting platforms; gambling services via the Internet.

(260) AM 2016 84740 A

(800) 1273015

(891) 2015 08 11

(731) ADP GAUSELMANN GMBH

Merkur-Allee 1-15, 32339 Espelkamp, Germany

(540)

Merkur Nitro Game

(511)

9 – Scientific, nautical, surveying, photographic, cinematographic, optical, weighing, measuring, signalling, checking (supervision), life-saving and teaching apparatus and instruments; apparatus and instruments for conducting, switching, transforming, accumulating, regulating or controlling electricity; apparatus for recording, transmission or reproduction of sound or images; magnetic data carriers, recording discs; compact discs, DVDs and other digital recording media; cash registers, calculating machines, data processing equipment, computers; computer software; fire-extinguishing apparatus; musical jukeboxes and parts for the aforesaid automatic machines; automatic cash dispensers, automatic money counting and money changing machines; mechanisms for coin-operated apparatus; computer and video games software; games software for use on any computer platform, including electronic entertainment and games consoles; programs for computer games; computer games; video games (software); computer games provided through a global computer network or supplied by means of multi-media electronic broadcast or through telecommunications or electronic transmission or via the Internet; computer games, leisure and recreational software, video games programs and computer software, all provided in the form of storage media; programs for operating electric and electronic apparatus for games, amusement and/or entertainment purposes; automatic lottery machines; computer software for computer games on the Internet; online games (software); computer software in the form of an app for mobile devices and computers; calculating apparatus in coin-operated machines and parts for the aforesaid goods; apparatus for recording, transmission, processing or reproduction of data, including sound or images, including parts for all the aforesaid goods, except radio sets, television receivers, hi-fi systems, video recorders, telephone apparatus, fax machines and telephone answering machines; computer hardware and software for casino and amusement arcade games, for gaming machines, slot machines or video lottery gaming machines or games of chance via the Internet; electric, electronic, optical or automatic apparatus, for identifying data carriers, identity cards and credit cards, bank notes and coins; electric, electronic or optical alarm and monitoring installations, including

video cameras and apparatus for image transmission and image processing; data processing equipment and computers, including data processing apparatus and computers being components for data networks and parts facilitating data network communications; electric wiring harnesses; circuit boards, printed board assemblies (electronic components) and combinations thereof being assemblies and equipment parts, included in this class.

28 – Games; toys; gymnastic and sporting articles not included in other classes; decorations for Christmas trees; gaming apparatus (including coin-operated apparatus); coin-operated arcade games (machines); games for amusement arcades (included in this class); coin-operated video gaming apparatus; video games apparatus adapted for use with external screens or monitors only; casino fittings, namely roulette tables, roulette wheels; coin-operated automatic gaming machines and gaming machines, in particular for gaming arcades, with or without a prize payout; electronic or electrotechnical gaming apparatus, gaming machines, games machines and slot machines operated by coins, tokens, banknotes, tickets or by means of electronic, magnetic or biometric storage media, in particular for commercial use in casinos and amusement arcades, with or without a prize payout; automatic gaming machines and gaming machines, in particular for commercial use in casinos and gaming arcades, with or without a prize payout; coin-operated gaming machines and/or electronic money-based gaming apparatus (machines), with or without prizes; housings adapted for gaming machines, gaming apparatus and automatic gaming machines, operated by means of coins, tokens, tickets or by means of electronic, magnetic or biometric storage media, in particular for commercial use in casinos and gaming arcades, with or without a prize payout; electronic games; apparatus for electronic games and parts thereof; video output game machines; drawing apparatus for prize games and lotteries, draws or raffles; housings of metal, plastic and/or wood for coin-operated automatic machines; apparatus for games (including video games), other than adapted for use with external screens or monitors only; electropneumatic and electric slot machines (gaming machines); gaming tables, in particular for table football, billiards, sliding games; quoits (playthings) and darts; apparatus for games, namely, electric, electronic or electromechanical apparatus for bingo games, lotteries or video lottery games and for betting offices, networked or unnetworked; LCD games consoles; automatic gaming machines; automatic gaming machines, gaming machines and apparatus operating in networks; apparatus and devices for accepting and storing money, being fittings for the aforesaid automatic machines, included in this class.

41 – Education; providing of training; entertainment; sporting and cultural activities; rental of automatic

slot machines and entertainment machines for casinos; arranging and conducting games; gambling; operating lotteries; arranging of games via a computer network, including online and being applications for smartphones; on-line games services provided via a computer network; provision of entertainment and/or educational content for apps for mobile devices and computers; conducting quizzes by means of smartphone applications; providing casino facilities (gambling), betting offices; operating gaming establishments, arcades and/or online Internet casinos and betting platforms; gambling services via the Internet.

(260) AM 2016 84741 A

(800) 1273016

(891) 2015 08 11

(731) ADP GAUSELMANN GMBH

Merkur-Allee 1-15, 32339 Espelkamp, Germany

(540)

Blazing Sparkle

(511)

9 – Scientific, nautical, surveying, photographic, cinematographic, optical, weighing, measuring, signalling, checking (supervision), life-saving and teaching apparatus and instruments; apparatus and instruments for conducting, switching, transforming, accumulating, regulating or controlling electricity; apparatus for recording, transmission or reproduction of sound or images; magnetic data carriers, recording discs; compact discs, DVDs and other digital recording media; cash registers, calculating machines, data processing equipment, computers; computer software; fire-extinguishing apparatus; musical jukeboxes and parts for the aforesaid automatic machines; automatic cash dispensers, automatic money counting and money changing machines; mechanisms for coin-operated apparatus; computer and video games software; games software for use on any computer platform, including electronic entertainment and games consoles; programs for computer games; computer games; video games (software); computer games provided through a global computer network or supplied by means of multi-media electronic broadcast or through telecommunications or electronic transmission or via the Internet; computer games, leisure and recreational software, video games programs and computer software, all provided in the form of storage media; programs for operating electric and electronic apparatus for games, amusement and/or entertainment purposes; automatic lottery machines; computer software for computer games on the Internet; online games (software); computer software in the form of an app for mobile devices and computers; calculating apparatus in coin-operated machines and parts for the aforesaid goods; apparatus for recording, transmission, processing or reproduction of data, including sound or images, inc-

luding parts for all the aforesaid goods, except radio sets, television receivers, hi-fi systems, video recorders, telephone apparatus, fax machines and telephone answering machines; computer hardware and software for casino and amusement arcade games, for gaming machines, slot machines or video lottery gaming machines or games of chance via the Internet; electric, electronic, optical or automatic apparatus, for identifying data carriers, identity cards and credit cards, bank notes and coins; electric, electronic or optical alarm and monitoring installations, including video cameras and apparatus for image transmission and image processing; data processing equipment and computers, including data processing apparatus and computers being components for data networks and parts facilitating data network communications; electric wiring harnesses; circuit boards, printed board assemblies (electronic components) and combinations thereof being assemblies and equipment parts, included in this class.

28 – Games; toys; gymnastic and sporting articles not included in other classes; decorations for Christmas trees; gaming apparatus (including coin-operated apparatus); coin-operated arcade games (machines); games for amusement arcades (included in this class); coin-operated video gaming apparatus; video games apparatus adapted for use with external screens or monitors only; casino fittings, namely roulette tables, roulette wheels; coin-operated automatic gaming machines and gaming machines, in particular for gaming arcades, with or without a prize payout; electronic or electrotechnical gaming apparatus, gaming machines, games machines and slot machines operated by coins, tokens, banknotes, tickets or by means of electronic, magnetic or biometric storage media, in particular for commercial use in casinos and amusement arcades, with or without a prize payout; automatic gaming machines and gaming machines, in particular for commercial use in casinos and gaming arcades, with or without a prize payout; coin-operated gaming machines and/or electronic money-based gaming apparatus (machines), with or without prizes; housings adapted for gaming machines, gaming apparatus and automatic gaming machines, operated by means of coins, tokens, tickets or by means of electronic, magnetic or biometric storage media, in particular for commercial use in casinos and gaming arcades, with or without a prize payout; electronic games; apparatus for electronic games and parts thereof; video output game machines; drawing apparatus for prize games and lotteries, draws or raffles; housings of metal, plastic and/or wood for coin-operated automatic machines; apparatus for games (including video games), other than adapted for use with external screens or monitors only; electropneumatic and electric slot machines (gaming machines); gaming tables, in particular for table football, billiards, sliding games; quoits (playthings) and darts; apparatus for games, namely, electric, elec-

tronic or electromechanical apparatus for bingo games, lotteries or video lottery games and for betting offices, networked or unnetworked; LCD games consoles; automatic gaming machines; automatic gaming machines, gaming machines and apparatus operating in networks; apparatus and devices for accepting and storing money, being fittings for the aforesaid automatic machines, included in this class.

41 – Education; providing of training; entertainment; sporting and cultural activities; rental of automatic slot machines and entertainment machines for casinos; arranging and conducting games; gambling; operating lotteries; arranging of games via a computer network, including online and being applications for smartphones; on-line games services provided via a computer network; provision of entertainment and/or educational content for apps for mobile devices and computers; conducting quizzes by means of smartphone applications; providing casino facilities (gambling), betting offices; operating gaming establishments, arcades and/or online Internet casinos and betting platforms; gambling services via the Internet.

(260) AM 2016 84743 A

(800) 1273035

(891) 2015 08 18

(731) AVON PRODUCTS, INC.

World Headquarters, 777 Third Avenue,
New York NY 10017, USA

(540)

AVON MUSK STORM

(511)

3 – Non-medicated toilet preparations; toiletries; skin care preparations; skin moisturizers; body and beauty care preparations; powders, creams and lotions, all for the face, hands and body; cosmetic sun-tan preparations; soaps; shower and bath preparations; beauty masks; talcum powder; nail polish; nail polish remover; enamel for nails; false nails; adhesives for cosmetic purposes; cosmetics; eye makeup remover, eye shadow, eye liner, mascara, lipstick, lip liner, lip gloss; make-up foundation; blusher; tissues impregnated with cosmetic lotions; cotton sticks for cosmetic purposes; cotton wool for cosmetic purposes; preparations for cleaning, moisturising, colouring and styling the hair; preparations for cleaning the teeth; shaving and aftershave preparations; perfumes, fragrances, toilet waters, cologne; deodorants for human beings; anti-perspirants for personal use (toiletries); essential oils (cosmetic).

(260) AM 2016 84744 A

(800) 1273039

(891) 2015 08 07

(731) KYB CORPORATION

World Trade Center Bldg., 4-1, Hamamatsu-
Cho 2-Chome, Minato-Ku, Tokyo, Japan

(540)

MONOMAX

(591) black and white

(511)

12 – Shock absorbers for automobiles; suspension shock absorbers for vehicles; shock absorbers for motorcycles; shock absorbers for vehicles.

(260) AM 2016 84760 A

(800) 1273287

(891) 2015 08 31

(731) DEATH CHALLENGE INC

23371 Mulholland Drive, Ste. 397, Woodland
Hills CA 91364, USA

(540)

Save the Challenger, Save the Children

(591) Black, white

(511)

38 – Broadcasting of television programmes; broadcasting of video and audio programming over the internet; broadcasting programs via a global computer network; broadcasting services and provision of telecommunication access to video and audio content provided via a video-on-demand service via the internet.

41 – Organizing, arranging, and conducting extreme athletic events; providing entertainment information in the field of extreme sports via a website.

(260) AM 2016 84761 A

(800) 1273320

(891) 2015 04 27

(731) MERCK KGAA

Frankfurter Str. 250, 64293 Darmstadt,
Germany

(540)

ALLERGOCOVER

(511)

10 – Specially adapted protective covers for mattresses, duvets and pillows for medical purposes.

24 – Textiles and textile goods.

(260) AM 2016 84762 A

(800) 1273329

(891) 2015 07 31

(731) TAT NİŞASTA İNŞAAT SANAYİ VE
TİCARET ANONİM ŞİRKETİ

Hacı Sabancı org. San. Böl. OSB

Ankara, Cad. No:14, TR-01350 Sarıçam
Adana, Turkey

(540)

LevoSweet

(591) Black, green

(511)

30 – Coffee, tea, cocoa, sugar, rice, tapioca, sago, artificial coffee; flour and preparations made from cereals, bread, pastry and confectionery, honey, treacle; yeast, baking-powder; salt, mustard; vinegar, sauces (condiments); spices; ice.

(260) AM 2016 84765 A

(800) 1273341

(891) 2015 06 12

(731) RAUCH FRUCHTSÄFTE GMBH

Langgasse 1, A-6830 Rankweil (AT), Austria

(540)



(591) Red, white

(511)

30 – Coffee, tea, cocoa and artificial coffee; coffee based drinks; drinking chocolate; coffee beverages with milk; coffee-based beverages with milk; cappuccino; macchiato; latte-macchiato; iced coffee; rice; tapioca and sago; flour and preparations made from cereals; bread, pastry and confectionery; edible ices; sugar, honey, treacle; yeast, baking-powder; salt; mustard; vinegar, sauces (condiments); fruit sauces; spices; ice; tea drinks; iced tea; tea-based beverages; tea-based and/or water-based beverages; tea-based beverages with fruit flavoring; fruit teas; fruit teas containing lemon and flavored with elderflower; fruit teas containing peach and flavored with honey; coffee flavored soft drinks; flavored tea-based beverages.

32 – Beers; minerals and aerated waters; non-alcoholic beverages; fruit beverages and fruit juices; nectars; fruit nectars; fruit nectar beverages; vegetable drinks and vegetable juices; syrups and other preparations for making beverages; energy drinks; lemonades; non-alcoholic beverages, in particular with fruit flavoring; smoothies; flavored water-based beverages; water-based beverages; coconut juice; coconut water; tomato juice (beverages); non-alcoholic beverages made with fruits; non alcoholic fruit ext-

tracts; fruit juice concentrate; cocktails, non-alcoholic; isotonic drinks; non-alcoholic beverages with coffee components or a coffee flavor, non-alcoholic energy drinks with coffee components or a coffee flavor; must; non-alcoholic aperitifs; non-alcoholic beverages consisting of coconut juice or with coconut juice flavoring or with coconut flavoring; whey beverages; non-alcoholic beverages with tea flavor; coffee flavored soft drinks; non-alcoholic beverages with fruit flavoring; non-alcoholic beverages containing fruits or fruit extracts; fruit drinks; apple juice (sweetened fruit juice); non-alcoholic cider; non-alcoholic beverages with tea flavor; non-alcoholic beverages containing tea or tea extracts; non-alcoholic beverages containing coffee or coffee extracts.

(260) AM 2016 84766 A

(800) 1273344

(891) 2014 11 18

(731) SKYWORTH GROUP CO., LTD.

Unit A, 15/F, West, Skyworth Building,
Shennan Ave, Nanshan District 518057
Shenzhen, Guangdong, China

(540)

Skyworth

(591) Black, white

(511)

7 – Agricultural machines; net hauling machines [fishing]; woodworking machines; papermaking machines; diaper production machines; printing machines; machines for the textile industry; dyeing machines; food preparation machines, electromechanical; brewing machines; cigarette machines for industrial purposes; leather-working machines; sewing machines; machines for the bicycle industry; machines for the ceramics industry, including ceramics machines for building; computer aided carver; machines for battery industry; machines for processing of local special products and sundry goods; enamel manufacturing machines; lamp bulbs manufacturing machines; wrapping machines; honeycomb briquette manufacturing machines; kitchen machines, electric; washing machines; machines for pharmaceutical industry; vulcanisation apparatus; glass working machines; fertilizer equipments; electromechanical machines for chemical industry; rolling mills; oil refining machines; mixing machines; hoists; derricks; hammers [parts of machines]; moulding machines; fittings for engine boilers; internal combustion engines, excluding engines of automobiles, tractors, corn combine harvesters, motorcycles, chain saws, steamers; hydroelectric power generating equipment; clip manufacturing machines; button manufacturing machines; machines for manufacturing electric wires and cables; hand-held tools, other than hand-operated; equipment for electron industry; optics cold pro-

cessing equipment and machines; gas separating equipment; painting machines; starters for motors and engines; control mechanisms for machines, engines or motors; mufflers for automobile engine; pumps [machines]; valves [parts of machines]; compressed air machines; compressors for refrigerators; hydraulic couplers; connecting rods for machines, motors and engines; speed governors for machines, engines and motors; belts for machines; electric welding machines; washing apparatus; shoe polishers, electric; electroplating machines; condensing installations.

9 – Computers; computer memories; monitors [computer hardware]; laptop computers; notebook computers; processors [central processing units]; USB flash drives; computer peripheral devices; computer keyboards; mouse [computer peripheral]; electronic pocket translators; computer software, recorded; electronic pens [visual display units]; computer game software; electronic publications, downloadable; wireless network cards; touch screens; personal digital assistants (PDA); time recording apparatus; cheque recording apparatus; ticket dispensers; electronic tags for goods; lottery machines; facsimile machines; weighing machines; measures; electronic notice boards; neon signs; portable telephones; transmitters of electronic signals; radar apparatus; navigational instruments; global positioning system [GPS] apparatus; network communication equipment; optical communication equipment; navigation apparatus for vehicles [on-board computers]; stored program control (SPC) telephone switching equipment; television apparatus; monitoring apparatus, electric; tape recorders; video recorders; camcorders; DVD players; headphones; electronic teaching and learning machines; portable media players; television cameras; electronic voice text machines; set top boxes; cameras [photography]; projection machines; projection machines for teaching purposes; surveying apparatus and instruments; aerometers; automatic indicators of low pressure in vehicle tires [tyres]; speed checking apparatus for vehicles; gasometers [measuring instruments]; kilometer recorders for vehicles; meters for internal combustion engines; logs [measuring instruments]; milage recorders for vehicles; hydrometers; audiovisual teaching apparatus; measuring devices, electric; probes for scientific purposes; optical apparatus and instruments; materials for electricity mains [wires, cables]; semi-conductors; integrated circuits; electronic chips; light-emitting diode (LED); stabilized voltage supply; low-voltage power supply; fluorescent screens; video screens; remote controllers for household purpose; optical fibers [fibres] [light conducting filaments]; regulating apparatus, electric; electric installations for the remote control of industrial operations; lightning conductors [rods]; electrolyzers; fire extinguishers; radiological apparatus for industrial purposes; protection devices for personal use against

accidents; alarms; spectacles [optics]; batteries, electric; animated cartoons; remote controlled car arresters, portable; clothing, electrically heated; reversing radars; car monitors; liquid crystal displays; apparatus to check franking.

11 – Air conditioning installations; light-emitting diodes [LED] lighting apparatus; pressure cookers [autoclaves], electric; microwave ovens [cooking apparatus]; freezers; refrigerators; ventilation [air-conditioning] installations and apparatus; fans [air-conditioning]; solar water heaters; bathroom heat lamp installations; disinfectant apparatus; drinking water dispensers; lamps; lighting apparatus and installations; cooking apparatus and installations; lighting apparatus for vehicles; germicidal lamps for purifying air; curling lamps; electric water heaters; lava rocks for use in barbecue grills; refrigerating appliances and installations; air conditioning installations; air conditioning apparatus; electric hair driers; heating apparatus; soap bubble and foam generators for shows; hot water heating installations; ornamental fountains; sanitary apparatus and installations; water purification installations; disposable sterilization pouches; radiators, electric; lighters; nuclear reactors.

(260) AM 2016 84767 A

(800) 1273346

(891) 2015 09 08

(731) DHL INTERNATIONAL GMBH
Charles-de-Gaulle-Str. 20, 53113 Bonn,
Germany

(540)

DHL Express

(511)

16 – Bags of paper, cardboard or plastics, for packaging; envelopes of paper, cardboard or plastics, for packaging; pouches of paper, cardboard or plastics, for packaging; labels, not of textile.

36 – Customs brokerage; transport insurance brokerage; transit insurance underwriting.

39 – Transport services, in particular transport of goods by motor vehicle, lorry, rail, ship and aeroplane; packaging and storage of goods; transport of goods, in particular packages, parcels, letters; transportation information; freight brokerage; transport brokerage; transportation logistics; courier services [messages or merchandise]; storage information; tracking and tracing services for letters and parcels; freight forwarding by land, air and sea.

(260) AM 2016 84777 A

(800) 1273498

(891) 2015 07 14

(731) FRATELLI MARTINI SECONDO LUIGI
S.P.A.

Via Santa Radegonda, 11, I-20121 MILANO,
Italy

(540)



(591) Black, white

(511)

33 – Prepared wine cocktails.

(260) AM 2016 84781 A

(800) 714158

(891) 2015 09 21

(731) ELF AQUITAINE

2 place Jean Millier, La Défense,
6 F-92400 COURBEVOIE, France

(540)

EVOLUTION

(511)

1 – Additives for motor fuel, chemical additives used for reducing fuel pollutant emissions, chemical additives for reducing fuel consumption.

4 – Industrial oils and greases; lubricants; fuel (including engine fuel); unleaded premium fuel.

(260) AM 2016 84785 A

(800) 1219879

(891) 2015 10 27

(731) WALLTOPIA OOD

1B Bulgaria Blvd., BG-5570 Letnitsa,
Bulgaria

(540)

(591) Black and red

(511)

28 – Artificial climbing walls.

(260) AM 2016 84786 A

(800) 1226622

(891) 2015 09 18

(731) Adventure Facility Concepts and Management OOD

10 Arh. Bogdan Tomalevski St., Mladost 4,
BG-1715 Sofia, Bulgaria

(540)



(591) Black and red

(511)

41 – Amusement centers; amusement parks; providing amusement facilities; providing facilities for climbing and abseiling; children's entertainment and amusement centers; providing and operating of a series of artificial climbing walls; providing facilities for recreational and sports activities, namely, ropes courses, zip lines, climbing towers and artificial climbing walls; organizing, conducting and hosting birthday parties; instruction in the field of climbing and abseiling; seminars in the field of climbing and abseiling.

43 – Providing food and drink; restaurant, café and catering services.

(260) AM 2016 84806 A

(800) 1274324

(891) 2015 10 19

(731) NOVARTIS AG

CH-4002 Basel, Switzerland

(540)

APOLLO

(511)

10 – Surgical apparatus and instruments for ophthalmic surgery.

(260) AM 2016 84807 A

(800) 1274325

(891) 2015 05 26

(731) WORLD MEDICINE İLAÇ SANAYİ VE TİCARET ANONİM ŞİRKETİ

Evren Mah. Camiyolu Cad. No:50 K:1 B,
Zemin 4-5-6, Güneşli Bağcılar İstanbul,
Turkey

(540)

FENFEN

ΦΕΗΦΕΗ

(591) black and white

(511)

5 – Medicines for human purposes, medicines for veterinary purposes, vitamin preparations, chemical preparations for medical purposes, dietetic substances adapted for medical use, dietetic foods adapted

for medical purposes; baby foods, medicinal herbs, herbal beverages adapted for medical purposes, nutritional supplements, pollen dietary supplements, mineral food supplements, protein dietary supplements; dietary supplements for animals; fodder supplements for veterinary purposes; medicines for dental purposes, hygienic products for medical purposes including sanitary pads, breast-nursing pads and bunion pads, waddings for medical purposes, plasters for medical purposes, dressings for medical purposes, babies' napkins, preparations for destroying noxious plants, preparations for destroying noxious animals, fungicides, deodorants other than for human beings or for animals, air deodorising preparations, disinfectants for hygiene purposes, antiseptics, detergents for medical purposes.

(260) AM 2016 84808 A
(800) 1274328
(891) 2015 09 08
(731) RICHTER GEDEON NYRT.
Gyömrői út 19-21, H-1103 Budapest, Hungary
(540)

HEKLA

(511)
5 – Pharmaceutical preparations.

(260) AM 2016 84809 A
(800) 1274329
(891) 2015 09 08
(731) RICHTER GEDEON NYRT.
Gyömrői út 19-21, H-1103 Budapest, Hungary
(540)

NEBLINA

(511)
5 – Pharmaceutical preparations.

(260) AM 2016 84810 A
(800) 1274330
(891) 2015 09 08
(731) RICHTER GEDEON NYRT.
Gyömrői út 19-21, H-1103 Budapest, Hungary
(540)

IXIFOR

(511)
5 – Pharmaceutical preparations for gynecological purposes.

(260) AM 2016 84811 A
(800) 1274331
(891) 2015 09 08
(731) RICHTER GEDEON NYRT.
Gyömrői út 19-21, H-1103 Budapest, Hungary

(540)

KYLITA

(511)
5 – Pharmaceutical preparations.

(260) AM 2016 84812 A
(800) 1274332
(891) 2015 09 08
(731) RICHTER GEDEON NYRT.
Gyömrői út 19-21, H-1103 Budapest, Hungary
(540)

DIXIROL

(511)
5 – Pharmaceutical preparations.

(260) AM 2016 84813 A
(800) 1274333
(891) 2015 09 08
(731) RICHTER GEDEON NYRT.
Gyömrői út 19-21, H-1103 Budapest, Hungary
(540)

CODRAVIN

(511)
5 – Pharmaceutical preparations.

(260) AM 2016 84814 A
(800) 1274334
(891) 2015 09 08
(731) RICHTER GEDEON NYRT.
Gyömrői út 19-21, H-1103 Budapest, Hungary
(540)

CALVINIA

(511)
5 – Pharmaceutical preparations.

(260) AM 2016 84815 A
(800) 1274335
(891) 2015 09 08
(731) RICHTER GEDEON NYRT.
Gyömrői út 19-21, H-1103 Budapest, Hungary
(540)

ETINOCEPT

(511)
5 – Pharmaceutical preparations.

(260) AM 2016 84817 A
(800) 1274367
(891) 2015 09 08
(731) RICHTER GEDEON NYRT.
Gyömrői út 19-21, H-1103 Budapest, Hungary

(540)

GIFELIN

(511)

5 – Pharmaceutical preparations.

(260) AM 2016 84818 A

(800) 1274368

(891) 2015 09 08

(731) RICHTER GEDEON NYRT.

Gyömrői út 19-21, H-1103 Budapest, Hungary

(540)

BRODIXIN

(511)

5 – Pharmaceutical preparations.

(260) AM 2016 84819 A

(800) 1274369

(891) 2015 09 08

(731) RICHTER GEDEON NYRT.

Gyömrői út 19-21, H-1103 Budapest, Hungary

(540)

ROZELLA

(511)

5 – Pharmaceutical preparations.

(260) AM 2016 84820 A

(800) 1274370

(891) 2015 09 08

(731) RICHTER GEDEON NYRT.

Gyömrői út 19-21, H-1103 Budapest, Hungary

(540)

TALIPID

(511)

5 – Pharmaceutical preparations.

(260) AM 2016 84821 A

(800) 1274371

(891) 2015 09 08

(731) RICHTER GEDEON NYRT.

Gyömrői út 19-21, H-1103 Budapest, Hungary

(540)

КАЛЬВИНИЯ

(511)

5 – Pharmaceutical preparations.

(260) AM 2016 84822 A

(800) 1274372

(891) 2015 09 08

(731) RICHTER GEDEON NYRT.

Gyömrői út 19-21, H-1103 Budapest, Hungary

(540)

ЦИППАН

(511)

5 – Pharmaceutical preparations.

(260) AM 2016 84823 A

(800) 1274373

(891) 2015 09 08

(731) RICHTER GEDEON NYRT.

Gyömrői út 19-21, H-1103 Budapest, Hungary

(540)

CIPPAN

(511)

5 – Pharmaceutical preparations.

(260) AM 2016 84828 A

(800) 1274700

(891) 2015 09 08

(731) RICHTER GEDEON NYRT.

Gyömrői út 19-21, H-1103 Budapest, Hungary

(540)

БРОДИКСИН

(591) Black, white

(511)

5 – Pharmaceutical preparations.

(260) AM 2016 84833 A

(800) 1274701

(891) 2015 09 08

(731) RICHTER GEDEON NYRT.

Gyömrői út 19-21, H-1103 Budapest, Hungary

(540)

ЗЕНЗИЛЛЕ

(591) Black, white

(511)

5 – Pharmaceutical preparations.

(260) AM 2016 84835 A

(800) 1274702

(891) 2015 09 08

(731) RICHTER GEDEON NYRT.

Gyömrői út 19-21, H-1103 Budapest, Hungary

(540)

ZENZYLLE

(511)

5 – Pharmaceutical preparations.

(260) AM 2016 84836 A

(800) 1274484

(891) 2015 06 15

(731) TİBET İTHALAT İHRACAT VE
KOZMETİK SAN A.Ş.
Ankara Caddesi No: 344 Kurtköy, TR-34906
PENDİK – İSTANBUL, Turkey

(540)



(591) Yellow and red

(511)

5 – Preparations for destroying vermin; fungicides, herbicides; deodorants, other than for human beings or for animals; air deodorising preparations; disinfectants; antiseptics; detergents for medical purposes; moth repellants; raticides; insect catchers made of paper.

21 – Mouse traps, poisonous, non-poisonous, sticky insect catchers, insect catchers made of plastic and wood, insect traps, fly catchers, fly swatters, covers for squat toilet holes.

(260) AM 2016 84837 A

(800) 1274703

(891) 2015 09 08

(731) RICHTER GEDEON NYRT.

Gyömrői út 19-21, H-1103 Budapest, Hungary

(540)

CISSALA

(511)

5 – Pharmaceutical preparations.

(260) AM 2016 84838 A

(800) 1274704

(891) 2015 09 08

(731) RICHTER GEDEON NYRT.

Gyömrői út 19-21, H-1103 Budapest, Hungary

(540)

ТАЛИПИД

(591) Black, white

(511)

5 – Pharmaceutical preparations.

(260) AM 2016 84839 A

(800) 1274705

(891) 2015 09 08

(731) RICHTER GEDEON NYRT.

Gyömrői út 19-21, H-1103 Budapest, Hungary

(540)

ТЕМИВАН

(591) Black, white

(511)

5 – Pharmaceutical preparations.

(260) AM 2016 84840 A

(800) 1274718

(891) 2015 09 08

(731) RICHTER GEDEON NYRT.

Gyömrői út 19-21, H-1103 Budapest, Hungary

(540)

RECANTO

(511)

5 – Pharmaceutical preparations.

(260) AM 2016 84841 A

(800) 1274719

(891) 2015 09 08

(731) RICHTER GEDEON NYRT.

Gyömrői út 19-21, H-1103 Budapest, Hungary

(540)

ЛОРМИНА

(591) Black, white

(511)

5 – Pharmaceutical preparations.

(260) AM 2016 84842 A

(800) 1274487

(891) 2015 06 08

(731) OPSİDO YÖNETİM DANIŞMANLIK VE

TİCARET ANONİM ŞİRKETİ

Setüstü Ömer Avni Mah. İnebolu Sok.,

No:67 Kabataş, Beyoğlu İstanbul, Turkey

(540)



(591) white and blue

(511)

39 – Land, sea and air transport services and rental of motor land, sea and air vehicles, travel tour arranging and organizing services, travel booking services, travel tickets reservation/booking services, courier services.

(260) AM 2016 84843 A

(800) 1274720

(891) 2015 09 08

(731) RICHTER GEDEON NYRT.

Gyömrői út 19-21, H-1103 Budapest, Hungary

(540)

ИКСИФОР

(511)

5 – Pharmaceutical preparations for gynecological purposes.

(260) AM 2016 84844 A
 (800) 1274721
 (891) 2015 09 08
 (731) RICHTER GEDEON NYRT.
 Gyömrői út 19-21 H-1103 Budapest, Hungary
 (540)

LORMINA

(511)
 5 – Pharmaceutical preparations for gynecological purposes, except for treatment of gynecological infections and inflammations and dysmenorrhea.

(260) AM 2016 84863 A
 (800) 1274825
 (891) 2015 10 15
 (731) AUTOMOBILI LAMBORGHINI S.P.A.
 Via Modena, 12, I-40019 Sant' Agata
 Bolognese (Bologne), Italy
 (540)

ХУРАКАН

(511)
 12 – Vehicles and conveyances; apparatus for locomotion by land; automobiles; electric cars; sports utility vehicles; sports cars; apparatus for locomotion by water; boats.

25 – Hats; baseball caps; babies' clothing; bandanas; bathrobes; beachwear; belts [clothing]; blazers; blouses; boxer shorts; capes; casual shirts; casual trousers; chemises; childrens' clothing; clothes for sports; clothing for leisure wear; clothing made of imitation leather; clothing made of leather; coats; costumes; cravats; denim jeans; denims [clothing]; dress shirts; fleeces; gloves; golf shirts; headscarves; jogging outfits; men's and women's jackets, coats, trousers, vests; polo shirts; polo sweaters; printed t-shirts; pullovers; pyjamas; rain wear; scarves; shawls and headscarves; shirts; shorts; ski suits; slippers; sports shirts; sweat shirts; sweaters; t-shirts; ties; thongs; underclothing; beach footwear; canvas shoes; casual footwear; climbing boots; dress shoes; espadrilles; footwear for men and women; footwear for sport; sneakers.

28 – Children's ride-on toy vehicles; craft model kits; electronic remote controlled toy vehicles; model cars; racing car games.

(260) AM 2016 84864 A
 (800) 1274826
 (891) 2015 10 15
 (731) AUTOMOBILI LAMBORGHINI S.P.A.
 Via Modena, 12, I-40019 Sant' Agata
 Bolognese (Bologne), Italy
 (540)

ЛАМБОРГИНИ

(511)
 12 – Automobiles; electric cars; sports utility vehicles; sports cars; apparatus for locomotion by water; boats.

28 – Children's ride-on toy vehicles; craft model kits; electronic remote controlled toy vehicles; model cars; racing car games.

(260) AM 2016 84865 A
 (800) 1274827
 (891) 2015 10 15
 (731) AUTOMOBILI LAMBORGHINI S.P.A.
 Via Modena, 12, I-40019 Sant' Agata
 Bolognese (Bologne), Italy
 (540)

УРУС

(511)
 12 – Vehicles and conveyances; apparatus for locomotion by land; automobiles; electric cars; sports utility vehicles; sports cars; apparatus for locomotion by water; boats.

25 – Hats; baseball caps; babies' clothing; bandanas; bathrobes; beachwear; belts [clothing]; blazers; blouses; boxer shorts; capes; casual shirts; casual trousers; chemises; childrens' clothing; clothes for sports; clothing for leisure wear; clothing made of imitation leather; clothing made of leather; coats; costumes; cravats; denim jeans; denims [clothing]; dress shirts; fleeces; gloves; golf shirts; headscarves; jogging outfits; men's and women's jackets, coats, trousers, vests; polo shirts; polo sweaters; printed t-shirts; pullovers; pyjamas; rain wear; scarves; shawls and headscarves; shirts; shorts; ski suits; slippers; sports shirts; sweat shirts; sweaters; t-shirts; ties; thongs; underclothing; beach footwear; canvas shoes; casual footwear; climbing boots; dress shoes; espadrilles; footwear for men and women; footwear for sport; sneakers.

28 – Children's ride-on toy vehicles; craft model kits; electronic remote controlled toy vehicles; model cars; racing car games.

(260) AM 2016 84866 A
 (800) 592007
 (891) 2015 09 14
 (731) TERMET S.A.
 ul. Długa 13, PL-58-160 Świebodzice, Poland
 (540)

TERMET

(511)
 9 – Physics apparatus, electrical and electronic devices for measuring, controlling and regulating.

11 – Heating, cooking, drying and ventilating apparatus designed to operate on electricity, fuel oil or

gas, in particular instant water heaters/flow heaters, storage water heaters/flow heaters, shell-type boilers (water heaters), dual-purpose boilers for central heating and domestic hot water production, boilers as well as components as part of the abovementioned goods; heat accumulators; central heating apparatus.

37 – Installation, maintenance and repair of the above apparatus.

(260) AM 2016 84868 A
 (800) 1063572
 (891) 2015 09 21
 (731) BECKER, MARKUS
 Herongerstr. 2 47638 Straelen, Germany
 (540)

BACTIVA

(511)
 1 – Chemicals used in industry, science and photography, as well as in agriculture, horticulture and forestry; unprocessed artificial resins, unprocessed plastics; manures; fire extinguishing compositions; tempering and soldering preparations; chemical substances for preserving foodstuffs; tanning substances; adhesives used in industry.
 5 – Pharmaceutical and veterinary preparations; sanitary preparations for medical purposes; dietetic substances adapted for medical use, food for babies; plasters, materials for dressings; material for stopping teeth, dental wax; disinfectants; preparations for destroying vermin; fungicides, herbicides.

(260) AM 2016 84869 A
 (800) 1142988
 (891) 2015 10 29
 (731) WINDOW AUTOMATION INDUSTRY SRL
 Via Cirillo Bassi, 7/A I-40015 Galliera,
 Frazione San Vincenzo (Bologna), Italy
 (540)



(591) Black, white
 (511)
 7 – Electric motors, motor reducers for operating jalousies and shutters, screens, windows, curtains, rail curtains, blinds, doors, garage doors, gates, grilles and lattices, domes, skylights, roller shutters, sun protection panels, shelters and sun protection curtains and their parts and accessories included in this class.
 9 – Electric and electronic apparatus and instruments and their safety devices for control, automatic control and remote control of jalousies and shutters, screens, windows, curtains, rail curtains, blinds, doors,

garage doors, gates, grilles and lattices, domes, skylights, roller shutters, sun protection panels, shelters and sun protection curtains and their parts and accessories included in this class.

(260) AM 2016 84870 A
 (800) 1157432
 (891) 2015 11 03
 (731) IIC-INTERSPORT International Corporation
 GmbH
 Wölflistrasse 2, CH-3006 Bern, Switzerland
 (540)



(591) Gray and blue
 (511)
 18 – Bags and backpacks specially designed for sports.
 25 – Clothing and footwear for fitness training and gymnastics.
 27 – Fitness training mats.
 28 – Gymnastic and sporting articles included in this class, particularly physical exercise apparatus, body-building apparatus, machines for physical exercises, chest expanders (exercisers), apparatus for gymnastics, as well as weights, parts and accessories of the aforesaid goods, all included in this class; bar-bells, exercise benches, balls, rings and elastic bands for physical exercise, stationary exercise bicycles and their rollers, stationary rowing machines; games.

(260) AM 2016 84871 A
 (800) 1160002
 (891) 2015 08 28
 (731) DANY LYONS
 Koppel 12, 20099 Hambourg, Germany
 (540)

Meryem

(511)
 3 – Washing and bleaching preparations; cleaning, polishing, and abrasive preparations; soaps; perfumes, essential oils, preparations for body and beauty care, make-up, mascara, hair lotion; dentifrice.
 14 – Precious metal and their alloys and goods made of them or plated with them, as far as included in class 14; jewelry, gemstones; clocks, chronographs [watches] and chronometers.
 32 – Beer.

(260) AM 2016 84873 A
 (800) 1196541
 (891) 2015 07 15

(731) LABORATOIRE AGUETTANT
1 rue Alexander Fleming, F-69007 LYON,
France

(540)

NUTRYELT

(511)

5 – Trace element solution for medical use for nutrition.

(260) AM 2016 84874 A

(800) 1203255

(891) 2015 10 30

(731) ETI GIDA SANAYI VE TICARET ANONIM
SIRKETI

Organize Sanayi Bolgesi 11, Cadde
ESKISEHIR, Turkey

(540)



(591) Green, blue, white and red

(511)

30 – Biscuits, chocolates, pastries, crackers, wafers, cakes, pastry and bakery products, chocolate bars, tarts, pies, breakfast cereals, bread, popcorn and rice crisp.

(260) AM 2016 84875 A

(800) 1213926

(891) 2015 10 02

(731) VEGAPHARM LLP

Las Suite, 5 Percy Street, London W1T 1DG,
United Kingdom

(540)

Vegapharm

(591) Black, white

(511)

5 – Pharmaceutical and veterinary preparations; sanitary preparations for medical purposes; dietetic food and substances adapted for medical or veterinary use, food for babies; dietary supplements for humans and animals; plasters, materials for dressings; material for stopping teeth, dental wax; disinfectants; preparations for destroying vermin; fungicides, herbicides.

(260) AM 2016 84876 A

(800) 1259774

(891) 2015 10 28

(731) SOLTA MEDICAL, INC.

25881 Industrial Boulevard, Hayward
CA 94545, USA

(540)

CLEAR + BRILLIANT PÉLO

(511)

10 – Medical devices for non-surgical cosmetic skin treatments.

44 – Dermatology services; non-invasive cosmetic medical services.

(260) AM 2016 84890 A

(800) 1264976

(891) 2015 10 29

(731) MARLOW FOODS LIMITED

Station Road Stokesley, North Yorkshire,
TS9 7AB, United Kingdom

(540)

QUORN CHEF'S SELECTION

(511)

5 – Nutritional and dietetic food products for use in body maintenance and weight control, including meal replacement and nutritional drinks in powder mix and liquid form.

16 – Printed matter, books and periodicals concerning the use of protein, including mycoprotein, in food preparation.

29 – Protein, including mycoprotein, for food for human consumption; savouries predominately consisting of or containing protein, including mycoprotein (terms considered too vague by the International Bureau – rule 13.2.b) of the Common Regulations); ready made meals (terms considered too vague by the International Bureau – rule 13.2.b) of the Common Regulations); ready made meals consisting of or containing protein, including mycoprotein, including those with vegetables (terms considered too vague by the International Bureau – rule 13.2.b) of the Common Regulations); dietetic and slimming foodstuffs and substances predominately containing protein, including mycoprotein (terms considered too vague by the International Bureau – rule 13.2.b) of the Common Regulations); prepared meals and snacks for human consumption but not included in other classes (terms considered too vague by the International Bureau – rule 13.2.b) of the Common Regulations); prepared frozen foods and meals consisting of or containing protein, including mycoprotein (terms considered too vague by the International Bureau – rule 13.2.b) of the Common Regulations); dairy products and substitutes therefor; cheese; cheese substitutes; pâtés; spreads, margarines

and vegetable oils; milk drinks; milk drink substitutes; milk shakes; shakes of milk substitutes; milk shake powder; powdered milk or milk substitutes; desserts of milk substitutes; desserts (terms considered too vague by the International Bureau – rule 13.2.b) of the Common Regulations); yoghurts.

30 – Prepared meals and snacks for human consumption but not included in other classes (terms considered too vague by the International Bureau – rule 13.2.b) of the Common Regulations); prepared rice dishes; prepared pasta dishes; pastry products; dry mixes (terms considered too vague by the International Bureau – rule 13.2.b) of the Common Regulations); sandwiches; prepared frozen meals (terms considered too vague by the International Bureau – rule 13.2.b) of the Common Regulations); desserts (terms considered too vague by the International Bureau – rule 13.2.b) of the Common Regulations); dessert puddings; dessert toppings (terms considered too vague by the International Bureau – rule 13.2.b) of the Common Regulations); mousse confections; spreads; prepared meals and snacks included in this class (terms considered too vague by the International Bureau – rule 13.2.b) of the Common Regulations); mixes for cheese sauce, mixes for white sauce, mixes for sauces, mixes for cakes, mixes for bread and pizza dough, mixes for cookies, mixes for muffins, mixes for doughnuts; sauces; cooking sauces; prepared frozen meals consisting primarily of flour, rice, pasta, or noodles which include protein, including mycoprotein, and vegetables; dietetic foodstuffs and beverages, not for medical use (terms considered too vague by the International Bureau – rule 13.2.b) of the Common Regulations); slimming foodstuffs and beverages, not for medical use (terms considered too vague by the International Bureau – rule 13.2.b) of the Common Regulations); ice creams; frozen ices; ice desserts; frozen yoghurt; cereal bars; cereal based food bars; confectionery, sweets, toffees; chocolates; chocolate products; chocolate bars; flapjacks; muffins; cakes; cake bars; dessert puddings of milk substitutes.

43 – Information and advice concerning cooking protein, including mycoprotein; providing recipe information over a global computer network.

44 – Information and advice concerning dietary and health aspects of using protein, including mycoprotein, for food.

(260) AM 2016 84891 A

(800) 1267377

(891) 2015 11 03

(731) HESALIGHT A/S

Lykkegårdsvej 9, DK-4000 Roskilde,
Denmark

(540)

HESALIGHT

(511)

9 – Apparatus and instruments for conducting, switching, transforming, accumulating or controlling electricity.

11 – Apparatus for lighting, including street lighting, school lighting, office lighting, industrial lighting, outdoor and indoor lighting, and lighting control systems for reducing energy consumption and reducing harmful CO2 pollution.

37 – Installation, maintenance and repair of lighting installations.

42 – Design and development of apparatus and instruments for conducting, switching, transforming, accumulating or controlling electricity and apparatus for lighting, including street lighting, school lighting, office lighting, industrial lighting, outdoor and indoor lighting, and lighting control systems for reducing energy consumption and reducing harmful CO2 pollution.

(260) AM 2016 84913 A

(800) 1274045

(891) 2015 04 21

(731) MEYSU GIDA SANAYI VE TICARET
ANONIM SIRKETI

Organize Sanayi Bölgesi, 16. Cadde,
No:4, Melikgazi, Kayseri, Turkey

(540)



(591) Red, yellow and pink.

(511)

29 – Meat, fish, poultry, game, meat extracts, broth, shellfish not live, namely, shrimp (not live), lobster (not live), clams (not live), processed meat, frozen meat, dried meat, fried meat, meat jellies, meat juices; pulses for food, namely, preserved or processed beans, chickpeas, lentil, soy beans; instant or pre-cooked soups, bouillon; processed olives, olive pastes, pickles; milk and milk products, namely milk, cheese, yoghurt, ayran (drink based on yoghurt), cream, milk powder, milk based beverages containing fruits; edible oils and fats, butter, margarine; dried, preserved, canned, frozen fruits and vegetables; processed fruits and vegetables; tomato puree, tomato paste; processed and roasted chickpeas, nuts; peanut butter, hazelnut paste, tahini (sesame seed paste);

jams, marmalades, fruit jellies; eggs, powdered eggs; potato chips.

30 – Coffee, cocoa, artificial coffee, vegetal preparations for use as coffee substitutes, cocoa-based beverages, coffee-based beverages; chocolate based beverages; noodles, macaroni, ravioli; bread, pastry and bakery products, namely, pies, cakes, donuts, muffins, tarts, pizzas, sandwiches, puddings, ready cake mixes, desserts, namely, bakery desserts, chocolate desserts, desserts confectionery and desserts made of flour; honey, royal jelly for human consumption, propolis for human consumption; honey, royal jelly for human consumption, propolis for human consumption; flavorings, other than essential oils, vanilla flavorings, sauces, tomato sauce, spices; yeast, baking powder; flour for food, semolina, starch for food, rice; granulated sugar, cube sugar, powdered sugar; teas, ice teas; confectionery, chocolates, candies, biscuits, chocolate wafers, crackers; chewing gums not for medical purposes; ice, ice creams, edible fruit ices; salt; processed cereals and cereal products; snacks made of cereals, namely, corn flakes, oatmeal.

32 – Beers; preparations for use in the production of beer, namely, beer wort, extracts of hops; mineral water, spring water, table water, soda water, tonic water; fruit drinks and fruit juices, namely, apple juice, grape juice; vegetable juices, namely, turnip juice, tomato juice; concentrates syrups or powders used in the preparation of fruit drinks; soft drinks, carbonated soft drinks, soda pops.

(260) AM 2016 84914 A

(800) 1274024

(891) 2015 02 12

(731) VOLVO TRADEMARK HOLDING
AKTIEBOLAG

c/o AB Volvo, SE-405 08 Göteborg, Sweden

(540)



(591) Black, white

(511)

7 – Motors and engines (except for land vehicles), including marine engines, aircraft engines, engines for industrial, agricultural and forestry machines, stationary combustion engines, turbines, electric motors; electric generators and alternators; high-frequency generators; air cleaners (air filters) for engines

and anti-pollution devices for motors and engines; carburetors, converters for liquid fuels, injectors, injection pumps, fuel pumps, speed governors, injection nozzles and nozzle holders, machine valves, vaporizers, starters, ignition systems, ignition coils, glow plugs, spark plugs, spark plug connectors, lambda probes, magnetos, silencers/mufflers and spark arresters for combustion engines; fuel filters, oil filters, air filters; rolling bearings, plain bearings, shafts, shaft seals, gearwheels, drive wheels, speed change gear, pulleys, drive chains and belts, springs, filters, pumps, regulators, relief valves, controls, fans and fan belts, all for engine cooling radiators; cooling fans, cooling radiators, starters, fuel feed apparatus, oil cooling apparatus, brakes, caps for cooling radiators, accelerators, hydraulic pumps, hydraulic cylinders, hydraulic reservoirs, hydraulic filters, hydraulic motors, hydraulic pipes, hydraulic valves, boost units for hydraulic transmission, all for machines, engines and motors; machine coupling and transmission components (except for land vehicles), including power transmissions, gearboxes/transmissions, reverse gears, reduction gears, gearbox controllers, traction control systems, vehicle dynamics control systems, shaft connections, couplings and clutches, exhausts, couplings and transmission belts; power transmission take-off units for motor vehicle engines, for use as prime movers; inboard/outboard drive units and sailing boat drive units for inboard engines; hydraulic pumps and motors and components thereof, air pumps as vehicle accessories; bushes and bearings (machine parts); power steering systems, control valves (machine parts), braking valves (machine parts); exhaust-gas turbochargers; compressors, compressed air brakes, compressed air reservoirs, compressed air cylinders and compressed air motors, bilge pumps; metal and plastics working machines; machines for the chemical industry, for agriculture, mining, textile machines, machines for the beverage industry; incubators for eggs; agricultural implements (not hand operated); construction machines; electronic control devices for production technology and servo drives; machines for the automobile industry; machine tools and tools therefore; electric power tools and their plug-in tools; electric can openers; hydraulic lift jacks, body and frame aligners; packing and labelling machines, conveyors, conveyor belts; loading and handling machines for pressing plants and foundries and machines for the tooling of blanks; loaders, dumper bodies, excavators as well as parts, including components, and accessories to such products; hydraulic lifting apparatus, cranes, winches; bucket, grapple and fork type implements for machines; wood working machines, including delimiting, slashing and debarking equipment; teeth and cutting edges for machines; car vacuum cleaners; car wash facility; parts, fittings and accessories for the abovementioned goods and for motor land vehicles;

bushings; automatic vending machines; cooling radiators, radiators, radiator caps, exhausts, compressed air motors, fans, fan belts, bearings.

9 – Scientific, nautical, surveying, photographic, cinematographic, optical, weighing, measuring, signalling, checking (supervision), life-saving and teaching apparatus and instruments; apparatus and instruments for conducting, switching, transforming, accumulating, regulating or controlling electricity; programmable controllers electric and electronic apparatus and instruments, including electric batteries, charging devices, battery testers, electric mountings, electric blowers; electric accumulators, electric compasses, electric circuit breakers, commutators, electric condensers, electric wiring harnesses, capacitors, relays, electronic time relays, switches, fuses, electrical contacts, electric cables, electric fuses; electric fuse boxes, electrical sensors, electrical sockets, printed electrical circuits, integrated circuits; leads for electric, electronic and optical signals; cable connections, cable drums; transformers; electronic headlamp beam adjustment; sensors, detectors, switching devices/switch boxes, solar cells and solar generators; analysers for motor vehicles, namely for exhaust gas analysis, soot particle analysis, brake function analysis, diagnostic instruments and equipment for simulations, engine testers, workshop test devices; high-frequency generators, power supply devices, electric filters, semiconductor components, optoelectronic components; testing apparatus; apparatus for recording, transmission or reproduction of data, sound or images and data processing equipment and computers, including radio apparatus, video screens, tape players, loudspeakers, amplifiers, telecommunication equipment, car telephone installations, compact disc players, telematic terminals, distress signal terminals, navigation and radar terminals, traffic control systems, transport supervision system, locating devices, toll terminals for electronic toll detection in traffic, black box (accident data monitoring and recording device), auto-computers and on-board computers, calculators and pocket calculators; magnetic data carriers; computer software; computer hardware; video games software; recorded and non-recorded data carriers and recording media of all kinds, including compact discs, tape cassettes; storage boxes for recording media; data processing equipment; highway emergency warning equipment; interference suppressors, aerials/antennas; gauges, measuring instruments and apparatus, including such for fuel, oil pressure, tyre pressure, compressed air, temperatures, amperage, speed and engine revolutions; mileage recorders, odometers, tachometers; voltage regulators, voltmeters; time recorders, rudder indicators, instrument panels and clusters, dipsticks, thermostats, signal lamps; dynamometers, brake testers, electrical and mechanical instruments and apparatus for control and testing for vehicles, engines/motors and machines (including drive units and

construction machines); automatic alarm units, anti-theft warning devices, electronic anti-theft devices, including vehicle immobilizing units; electronic parking assistance systems; warning reflectors; fire extinguishing apparatus; electronic monitors and regulators for engines and motors; magnets; tape measures; thermometers; compasses; optical apparatus and instruments, including binoculars, magnifying glasses, spectacles, sun glasses and goggles, lenses for lamps sun-proof optical lenses; sun glasses and goggles, ophthalmic frames; warning triangles; clothing for protection against accidents, including footwear, special clothing as lifesaving equipment, workmen's protective face-shields, protective eye pieces and masks; registers; level controllers [electrical apparatus], warning triangles, jumper cables, starter cables, safety nets.

12 – Vehicles, including cars, vans, sport-utility vehicles (including golf carts), buses, trucks, tractor units/prime movers, on and off road vehicles/dump trucks and parts, including components, and accessories to these items which do not pertain to other classes, including vehicle chassis, vehicle bodies, braking installations, brake calipers, draw bars, bumper bars, clutches, engines, electric engines, motors, electric motors, turbines, combustion engines, starting devices for internal combustion engines, hydraulic cylinders and motors, silencers/mufflers, spark eliminators, power transmissions, gearboxes/transmissions, transmission shafts, differential gears, drive gears, drive shafts, gear change selectors, exhaust cowls, axles, shafts and couplings, machine coupling and transmission components, manual and power steering apparatus, power steering systems, hydraulic steering systems, as well as component parts of these items, compressed air reservoirs, compressed air cylinders and anti-pollution devices, air pumps, anti-dazzle devices, anti-theft devices and alarms, vehicle immobilizing units, trailer hitches, power take-offs, springs, shock absorbers, wheels, wheel bearings, wheel trims, balance weights for wheels, engine mountings, tanks and fuel tanks, engine noise shields, protective covers, radiators grilles, front grills, fluid reservoirs, deflectors, direction indicators, hatches, upholstery, handles for doors, hoods, horns, hubs, hub caps, hydraulic circuits, tyres, non-skid devices for tyres, mud flaps, brakes, servo brakes and compressed-air brakes, antilock brake systems, brake pads and brake linings, bumpers, mudguards/fenders, cabs, cab tilt mechanisms, reversing alarms, mechanical controls, head rests for seats, arm rests, doors, seats, safety-seats, personal safety restraints seats, safety seats for children, tables for seats, seat covers, headrest covers, seat belts, devices for collision protection, parking assistance systems, sliding roofs, sun roofs, vehicle steering columns, steering wheels, steering linkages, stabiliser bars, suspensions, suspension lowering outfits, torsion bars, tow bars, windows, win-

dow winding mechanisms, power windows, wind-screens/windshields (also of safety glass), windscreen/windshield and headlight wipers, defrosting systems for windscreens, wiper blades, vehicle window blinds, driving mirrors, mirrors (retrovisors), tank caps, cover caps for extra headlights, warning lamps, luggage restraints for vehicles, luggage nets, luggage carriers, wheel carriers, bicycle carriers, surfboard carriers, boat carriers, mud-guards, snow chains, pet screens, stone screens, storage screens, roof racks and ski racks, stowage boxes, deposit boxes, stowage compartments, trim panels, spoilers, side and rear skirts, safety cushions, air bags, breakdown cases, holders for mirrors, sun shades, mobile telephone mounting equipment; restraining systems for installation in motor vehicles, namely belt tensioners, airbags and sensors; tires, pneumatic tires; adhesive rubber patches for repairing inner tubes; baby carriages, wheeled chairs for invalids; bicycles; rudders, propellers, trimming vanes, steering units, steering wheels and fittings for boats as well as component parts of these items; vehicles for locomotion by land, air or water; electrical lighters for automobiles; starter motors for land vehicles.

35 – Retail services and wholesale, namely in respect of vehicles, engines/motors and machines (including drive units and construction machines), as well as of parts, fittings and accessories for the aforesaid goods, and of tools and workshop equipment, and of merchandise products; advertising, organisation of promotional programs, office functions, business administration (including bookkeeping), business management and business management advisory services, in particular relating to the design, development, manufacture, sale, distribution, repair or maintenance of vehicles, engines/motors and machines (including drive units and construction machines), and of parts, fittings and accessories for the aforesaid; consultancy in the field of vehicle fleet management.

36 – Real estate affairs; monetary and financial affairs, including credit card services; insurance, warranty, financing (including hire purchase and lease purchase financing services and leasing), in particular relating to vehicles, engines/motors and machines (including drive units and construction, transport, agricultural and forestry machines), to parts, fittings and accessories for the aforesaid, and to tools and workshop equipment.

37 – Building construction; installation services related to vehicles, motors and machines (including drives and contract machines); installation, service, repair, inspection, restoration, maintenance, reconditioning, diagnostic tuning, cleaning, painting, polishing and preservation services in relation to vehicles, engines/motors and machines (including drive units and construction, agricultural and forestry machines), power hand tools, workshop appliances

and devices, or parts, fittings and accessories (including telecommunication equipment) for the aforesaid; emergency road side vehicle repair assistance; rental of tools and workshop equipment; looking after and overhauling of motor vehicles in motor-sport events; reservation of garage services for the maintenance and repair of motor vehicles; technical assistance related to motor vehicles during motor-sports events.

(260) AM 2016 84915 A

(800) 1274025

(891) 2015 03 16

(731) AUTOMOBILI LAMBORGHINI S.p.A.

Via Modena, 12, I-40019 Sant'Agata

Bolognese (BO), Italy

(540)



(591) Black, white

(511)

3 – Toiletries; abrasive preparations for use on the body; adhesives for cosmetic use; cleaner for cosmetic brushes; cosmetic kits; cosmetic pads; cosmetics; cosmetics in the form of oils; cosmetics preparations; cotton puffs for cosmetic purposes; cotton sticks for cosmetic purposes; cuticle removers; make-up pads of cotton wool; massage creams, not medicated; massage oils; mineral water sprays for cosmetic purposes; perfumed body lotions [toilet preparations]; pumice stone; body cleaning and beauty care preparations; abrasive boards for use on fingernails; artificial eyelashes; artificial fingernails; artificial fingernails of precious metal; artificial tanning preparations; base cream; body paint (cosmetic); bronzing creams; cosmetic creams; cosmetic eye gels; cosmetic eye pencils; cosmetic powder; eye crayon; eye makeup; eye shadow; eye pencils; face powder; glitter for cosmetic purposes; lip glosses; lip liner; lip pencils; lipstick; lipstick cases; make-up crayons; make-up pencils; make-up removing milk; mousses [cosmetics]; nail paint [cosmetics]; nail polish; nail polish remover; nail varnish; temporary tattoo's for cosmetic purposes; almond soap; body shampoos; cakes of soap; cleaning agents for the hands; hand cleaner; hand soaps; liquid soap; shower creams; shower gel; soap; toilet soap; bath bombs; bath creams; bath gel; non-medicated bath lotions; bath oil; bath pearls; bath salts; body sprays; deodorants for human beings or for animals; deodorants, for personal use in the form of sticks; after sun creams; after-sun lotions; after sun moisturisers; age

retardant gel; age retardant lotion; anti-aging cream; anti-wrinkle cream; aromatherapy creams; auto-tanning creams; body butter; body cream; body milk; body oil; cleansing creams [cosmetic]; cleansing foam; cleansing lotions; cocoa butter for cosmetic purposes; cosmetic creams for skin care; cosmetic preparations for skin care; cosmetic sun oils; cosmetic sun-tanning preparations; cosmetic sun-protecting preparations; day creams; facial cleansers; facial cream; non-medicated foot balms; hand cream; hand lotions; lip balm; lip protectors [cosmetic]; moisturizers; night cream; hair preparations and treatments; conditioners for use on the hair; hair detanglers; dry shampoos; dyes for the hair; gels for use on the hair; hair balm; hair bleaches; hair care creams; hair care lotions; hair colorants; hair conditioner; hair curling preparations; hair pomades; hair relaxers; hair rinses; hair shampoo; hair spray; hair styling gel; hair styling waxes; lotions for beards; moustache wax; hair removal and shaving preparations; aftershave; aftershave balm; aftershave lotions; aftershave preparations; depilatories; depilatory preparations; depilatory wax; epilating waxes; hair removing cream; pre-shave creams; pre-shave foams; shaving cream; shaving foam; shaving lotion; shaving preparations; oral hygiene preparations; breath freshener; breath freshening sprays; cleaning preparations for the teeth; dental bleaching gel; dentifrice; mouth sprays, not for medical use; mouthwashes; denture polishes; teeth cleaning lotions; tooth care preparations; tooth paste; perfumery and fragrances; aromatics for fragrances; aromatics for perfumes; body sprays [non-medicated]; eau de cologne; extracts of perfumes; fragrance preparations; fragrances; perfume; toilet water; body oils; essential oils; oils for cosmetic purposes; oils for perfumes and scents.

4 – Fuels and illuminants; additives, non-chemical, to motor-fuel; automobile fuels; cigarette lighter fluid; fire lighters; fuel for lighters; candles and wicks for lighting; christmas tree candles; candles for lighting; candles for night lights; perfumed candles; floating candles; fruit candles; lamp wicks; perfumed candles; fire torches; table candles; tealights; non-chemical fuel additives; non-chemical additives for lubricants; automotive engine oils; automotive greases; automotive lubricants; carnauba wax; chain grease; chassis grease; graphite lubricants; grease for brake shoes; grease for leather; greases for technical purposes; industrial oils and greases, lubricants; lubricants for motor vehicles; leather preserving oil and grease.

8 – Food preparation implements, kitchen knives and cutlery; boxes adapted for cutlery; bread knives; canteens of cutlery; carving forks; carving knives; cheese slicers; chef knives; cutlery of precious metals; pizza cutters, non-electric; egg slicers; fish cleaning knives; fruit knives; household knives; kitchen

knives; ladles for wine; nut crackers not of precious metal; nut crackers of precious metal; oyster openers; hand operated pasta cutters; pizza cutters; potato peelers [knives]; silverware [cutlery, forks and spoons]; sugar tongs; sterling silver table forks; sterling silver table knives; sterling silver table spoons; table cutlery [knives, forks and spoons]; vegetable knives; hand-operated tools and implements for treatment of materials, and for construction, repair and maintenance; agricultural, gardening and landscaping tools; blades for shears; can openers, non-electric; diving knives; non-electric can openers; scissor blades; scissor holders; scissors for household use; bush hooks [hand tools]; diggers [hand tools]; fertilizer scoops; garden forks; garden tools, hand-operated; gardeners' knives; hand-operated lawn edgers; hedge cutters [hand-operated tools]; lawn rakes [hand-operated tools]; pruning knives; shovels; sprayers for use in horticulture [hand tool]; weeding forks; butter curlers; spaghetti tongs.

9 – Apparatus, instruments and cables for electricity; electric power units; apparatus and instruments for accumulating and storing electricity; accumulators, electric; batteries; batteries for electric vehicles; batteries for lighting; battery cases; battery boxes; battery chargers; car batteries; fuel cells; electronic cigarette batteries; lithium ion batteries; mobile telephone batteries; rechargeable batteries; solar batteries; solar cells; electric and electronic components; ignition cables; dimmer switches; electric breakers [switches]; electric switches; electrical circuits and circuit boards; electrical plugs; electrical outlets; illumination regulators; light-emitting diodes [led]; electricity mains apparatus; electric mains power units; photovoltaics; regulated power supply apparatus; air tanks for use in scuba diving; aqua lungs; breathing apparatus for underwater swimming; divers' boots; divers' face masks; divers' gloves; divers' goggles; divers' life jackets; divers' masks; divers' nose clips; divers' weight belts; diving goggles; diving helmets; diving suits; diving snorkels; masks for diving; underwater breathing apparatus; information technology and audiovisual equipment; amplifiers; amplifier tuners; cases for electronic diaries; electronic diaries; electronic agendas; electronic book readers; electronic coding units; electronic decoders; electronic diaries; electronic dictionaries; encoding apparatus; keyboard amplifiers; keyboards; speech recognition apparatus; speech synthesizers; audiovisual and photographic devices; 3D spectacles; audio and video receivers; audio devices and radio receivers; cd players; display devices, television receivers and film and video devices; DVD players; DVD recorders; image capturing and developing devices; karaoke equipment; laser pointers; portable media players; communications equipment; apparatus for transmission of sound; apparatus for transmission of images; apparatus for transmission of communication; helmet communications systems;

marine communication apparatus; mobile data receivers; mobile radio receiving apparatus; mobile radio transmitting apparatus; radio apparatus; antennas and aerials as communications apparatus; aerials; antenna boosters; car antennas; broadcasting equipment; computer networking and data communications equipment; apparatus for the transmission of data; cable modems; computer network hubs; computer network routers; computer networks; data communications hardware; LAN [local operating network] hardware; network access server hardware; network hubs; network routers; VPN [virtual private network] hardware; wireless local area network devices; point-to-point communications equipment; automatic answering machines; car telephone installations; car telephones; carriers adapted for mobile phones; cases adapted for mobile phones; cell phone cases; cellular phones; facsimile machines; hands free devices for mobile phones; headsets for telephones; in-car telephone handset cradles; keyboards for mobile phones; leather cases for mobile phones; phone plugs; satellite telephones; smartphones; straps for mobile phones; video communications apparatus; data storage devices; blank computer discs; blank flash memory cards; boxes adapted for storing computer software disks; cards bearing electronically recorded data; cash cards [encoded]; cash cards [magnetic]; compact disks; credit cards; data carriers for computers having software recorded thereon; data storage discs; data storage media; DVD cases; DVDs; electronically encoded identity bracelets; holograms; laser discs; memory sticks; optical data storage drives; self-adhesive labels [encoded]; self-adhesive labels [magnetic]; usb flash drives; recording discs; read-only memory [ROM] discs; duplicating apparatus; 3D scanners; apparatus for the reproduction of images; copying machines; scanners; image scanners; fingerprint scanners; hand scanner; input scanners; photocopiers; printers; colour printers; computer plotters; ink-jet color printers; laser color printers; photo printers; printers for computers; measuring, detecting and monitoring instruments, indicators and controllers; tyre matching apparatus; pressure indicator plugs for valves; controllers (regulators); automatic control apparatus; automatic vehicle speed control apparatus; cruise controls for motor vehicles; electric power controllers; electric timers; electrical remote control apparatus; programmable control apparatus; radio control apparatus; remote control apparatus; room thermostats; seat controls; measuring, counting, alignment and calibrating instruments; acceleration sensors; acidimeters for batteries; alcoholmeters; audio timers; barometers; benzine meters; calibrating apparatus; clinometers; data loggers and recorders; distance and dimension measuring instruments; fuel consumption measuring apparatus; fuel level indicators; hydrometers; hygrometers; level meters; marine

depth finders; measuring instruments; pressure meters; sound level meters; speed measuring instruments; taximeters; surveying instruments; temperature measuring instruments; time measuring instruments (not including clocks and watches); tire balancing machines for land vehicles; weight measuring instruments; electrical recorders; electronic speed recorders; electronic temperature recorders, other than for medical use; kilometer recorders for vehicles; milage recorders for vehicles; tachographs; trip counters; chronographs [time recording apparatus]; electronic timing control instruments; parking meters; electronic scales; altimeters; apparatus for recording distance; cyclometers; distance measurers; electronic distance meters; accelerometers; speed checking apparatus; tachometers; electronic thermometers, other than for medical use; infrared thermometers; voltmeters; wattmeters; ammeters; sensors and detectors; testing and quality control devices; alcohol testing apparatus; battery testers; brake fluid testers; brake testing apparatus; crash test dummies; diesel injector testers; internal combustion engine testing apparatus; speedometer testers; simulators for driving or control of vehicles; simulators for simulating the operation of land vehicles; simulators for the steering and control of vehicles; simulators for training personnel in the driving of vehicles; navigation, guidance, tracking, targeting and map making devices; optical devices, enhancers and correctors; recorded content; autopilots; car navigation computers; compasses; global positioning instruments; global positioning system [GPS] apparatus; GPS navigation device; inertial navigational instruments; marine autopilots; marine compasses; marine navigation apparatus; navigation apparatus for vehicles [on-board computers]; air temperature sensors; automatic indicators of low pressure in vehicle tires; brake pad wear sensors; combustion gas detectors; coolant temperature sensors; distance sensors; electronic sensors; fire sensors; heat sensors; ignition spark detectors; impact sensors; instruments for detecting traffic; laser detectors; level sensors; light sensors; motion detectors; oil level sensors; oil-water level sensors; optical speed sensors; pressure sensors; automatic indicators of low pressure in vehicle tires [tyres]; radar; radar antennas; radar systems; sensors for engines; shock sensors; thermal sensors [thermostats]; ultrasonic sensors; electric motor checking [monitoring or supervision] apparatus; instruments for monitoring traffic; monitoring apparatus, electric; oil change monitors; travel distance monitors; tyre monitoring monitoring instruments.

10 – Body massagers; electrically operated massagers; foot massagers; massage apparatus, electric or non-electric; massage chairs; vibromassage apparatus; computer controlled exercise apparatus for therapeutic use; massage apparatus.

11 – Air dryers; apparatus for drying; clothes dryers; electric laundry dryers; electric towel warmers; drying installations; air cleaning filters [parts of air cleaning machines or installations]; air conditioning filters; dust filters for use in compressed air installations; barbecue apparatus; barbecue grills; charcoal grills; coffee machines; coffee percolators, electric; cooking apparatus; egg cookers; electric beverage heaters; electric chocolate makers; electric espresso machines; electric grills; electric sandwich makers; electric toasters; electric waffle irons; electric woks; fondues [cooking apparatus]; gas grills; ice cream makers; induction ovens; installations for cooking; installations for baking; installations for heating foodstuffs; installations for heating beverages; microwave ovens; popcorn makers; raclette sets; rice cookers; rotisseries; smoke cooking apparatus; steam cookers; apparatus for drying the hair; heating cushions [pads], electric, not for medical purposes; electric blankets not for medical purposes; electric hair dryers; air freezing installations; apparatus for refrigerating; beverage cooling apparatus; chilling apparatus; electric refrigerators; ice cream freezers; ice cube making machines; heating, ventilating, and air conditioning and purification equipment (ambient); air cooling apparatus; air heat recovery apparatus; air recirculating apparatus; air treatment equipment; combined heating and air conditioning apparatus; electric fans; electro ventilators; appliances for illumination; bedside lamps; book lights; ceiling illuminants; ceiling lights; christmas lights [other than candles]; computer controlled lighting apparatus; decorative electric lighting apparatus; desk lamps; diving lights; dome lights for furniture; electric fiber lighting apparatus; electric indoor lighting installations; electric lights; illumination installations; lamps for outdoor use; led luminaires; pocket torches; rear lights for vehicles; rechargeable torches; roadlights; solar powered lamps; solar powered torches; spot lamps; vehicle lighting and lighting reflectors; anti-dazzle devices for automobiles [lamp fittings]; automobile lights; automotive headlamps; bicycle lights; bicycle reflectors for attachment to spokes; brake lights for vehicles; lamps for direction indicators for cycles; lamps for direction indicators for land vehicles; dynamo lights for vehicles; headlamps for use on cycles; lamps for directional signals of tail lights for vehicles; trailer lights; axial fans for air-conditioning; grills (cooking appliances).

12 – Vehicles and conveyances; all-terrain vehicles; apparatus for locomotion by land; armoured cars; automobiles; baby strollers; bicycle trailers (riyakah); bicycles; barrows; camper vans; camping trailers; camping vehicles; carts; child carrying trailers; driverless cars; electric cars; go-carts; golf carts; mini bikes; mopeds; motorcycles; motorized bicycles; pedal bicycles; pushchairs; remote control vehicles, other than toys; sand yachts; sack-barrows; kick sledges; snow mobiles; sports cars; sports utility ve-

hicles; tandem bicycles; tractors; tricycles; vehicle trailers; mobility conveyances; electrically powered wheelchairs; manual wheelchairs; mobility vehicles; vehicles for the physically handicapped and those of reduced mobility; aircraft; airplanes; airships; air balloons; gliders; gyrocopters; helicopters; helium filled balloons; hot air balloons; parachute packs; parachutes; paramotors; remote controlled air vehicles; apparatus for locomotion by water; boats; canoes; dinghies; house boats; inflatable boats; jet boats; kayaks; leisure boats; motor water vehicles; motor yachts; paddle boats; pleasure boats; powerboats; rowing boats; sailboats; submarines; yachts; air flow spoilers for vehicles; anti-theft, security and safety devices and equipment for vehicles; anti-glare sunstrips for vehicles; antilock brake systems and components; aprons for prams; aprons for pushchairs; arms for windscreen wipers; automobile steering wheels; backrests for vehicle seats; covers for baby carriages; brake pads for vehicles; brake systems for vehicles; bumpers for vehicles; cable car cabins; components for brakes for vehicles; covers for vehicle seats; drink holders for vehicles; filler caps for vehicle fuel tanks; fittings for bicycles for carrying beverages; gear lever knobs for vehicles; head-rests for vehicle seats; headlight wipers; parts and fittings for land vehicles; parts and fittings for water vehicles; protecting covers [shaped] for vehicles; protective heat shields for vehicles; pushchair covers; radiator grills of metal for vehicles; side doors for vehicles; steering wheel covers; sun visors [vehicle parts]; wheelchair cushions; wheelchair pads; windshield wiper blades; parachutes for paragliding.

14 – Articles of jewellery; gemstones, pearls and precious metals, and imitations thereof; agates; chalcedony; cubic zirconia; cultured pearls; diamonds; emeralds; gold; imitation gold; imitation pearls; imitation precious stones; ingots of precious metal; jades; man-made pearls; marcasites; opal; peridot; platinum; precious metals; sapphires; silver; threads of precious metals; amulets; articles of jewellery made of precious metals; bangles; body-piercing rings; body-piercing studs; bracelets; brooches [jewellery, jewelry (am)]; chains [jewellery, jewelry (am)]; charms [jewellery, jewelry (am)]; chokers; clasps for jewellery; clip earrings; cloisonne jewellery; costume jewellery; cuff links and tie clips; diadems; earrings; fashion jewellery; finger rings; gems; ivory jewellery; insignias of precious metal; medallions; necklaces; alarm clocks; automobile clocks; clocks; desk clocks; wall clocks; jewellery; bottle caps of precious metals; coins; commemorative shields; fobs for keys; fancy keyrings of precious metals; gold bullion; key rings [trinkets or fobs]; objects of art made of precious stones; objects of art made of precious metals; ornaments, made of or coated with precious or semi-precious metals or stones, or imitations thereof; statues and figurines, made of

or coated with precious or semi-precious metals or stones, or imitations thereof; trophies coated with precious metals; trophies made of precious metals; works of art of precious metal; cabinets for clocks; cases adapted to contain items of jewellery; clock cabinets; ring holders of precious metal.

15 – Musical instruments; accordions; bandonians; barrel organs; brass instruments; computer controlled musical instruments; concertinas; didgeridoos; electric and electronic musical instruments; electric carillons [musical instruments]; electronic apparatus for synthesising music [musical instrument]; electronic automatically controlled musical instruments; electronic background musical instruments; japanese traditional musical instruments; keyboard instruments; languets; mechanical musical instruments; mouthpieces for musical instruments; music boxes; music synthesizers; musical instruments controlled by computer; percussion instruments; string instruments; western style musical instruments; wind instruments [musical]; woodwind musical instruments; musical instruments accessories; carrying cases for musical instruments; conductors' batons; metronomes for musicians; shaped covers for musical instruments; music rests for musical instruments; music stands; piano covers [shaped]; racks adapted to hold musical instruments.

16 – Adhesives for stationery or household purposes; adhesive tapes for stationery purposes; adhesive tapes for stationery or household purposes; glue for the office; glue pens for stationery purposes; paper tapes; sealing tape for stationery use; wood glue for household use; conical paper bags; bags made of paper for packaging; bags made of plastics for packaging; blister packs for packaging; bottle wrappers of cardboard or paper; bows for decorating packaging; boxes made of cardboard; boxes made of fibreboard; boxes made of paper; boxes of cardboard; gift bags; gift boxes; gift cartons; gift packaging; gift paper; metallic gift wrap; money clips; art paper; artists' materials; photograph stands; pencils; rulers; filtering materials of paper; filter paper; gums [adhesives] for stationery or household purposes; paper and cardboard; precious metal money clips; pastes and other adhesives for stationery or household purposes; printed matter; 3D decals for use on any surface; address books; advent calendars; advertisement boards of cardboard; advertising posters; advertising publications; advertising signs of paper; almanacs; anniversary cards; announcement cards; art prints; birthday cards; blueprints; booklets relating to games; books; business cards; calendars; car stickers; cases for passports; catalogues; charts; christmas cards; collectable cards; collector's photographs of players; colouring books; crossword puzzles; day planners; directories; educational publications; entry tickets; event programs; flyers; geographical maps; greeting cards; invitations; journals; labels; leather

covered diaries; maps; menu cards; mounted posters; music books; navigation charts for use in sailing craft; newsletters; newspapers; paper emblems; periodical magazines; periodical publications; photographic prints; photographs; posters; price lists; road maps; stickers [decalcomanias]; stickers [stationery]; teaching manuals; thank you cards; user manuals; vehicle bumper stickers; wall calendars; wall charts; book covers; cook books; dictionaries; guide books; handbooks [manuals]; picture books; travel guide books; stationery and educational supplies; address labels; adhesive labels; agendas; binders; cases for stationery; clip boards; clips for offices; corkboard pins; paper cutters [office requisites]; desk calendars; desk diaries; desk pads; desk top planners; desk top organizers; desk trays; teaching materials except apparatus; folders; guest books; highlighters; holders for desk accessories; inks; labels, not of textile; letter-openers; letter trays; luggage tags of cardboard; map cases; marker pens; memo blocks; note books; notepads; paper cutters [office requisites]; paper fasteners; paperweights; pencil sharpeners; pens for marking; personal organisers; pouches for writing instruments; ring binders; school writing books; school supplies [stationery]; stapler holders; wall planners; whiteboards; writing books; writing cases [sets]; writing materials; writing stationery; writing tablets; year planners; writing and stamping implements; attachments for pencils; ballpoint pens; boxes for pens; ink cartridges for writing instruments; cases for pencils; cases for pens; colour pencils; felt pens; fountain pens; gel roller pens; gift cases for writing instruments; ink for writing instruments; correcting and erasing implements; chalk erasers; correcting ink [heliography]; correction fluid; correction pencils; correction pens; erasers; ink erasers; rubbers for erasing written text; whiteboard erasers; addressing machines; credit card imprinters, non-electric; document destroyers [office machines]; document laminators for office use; electric and electronic franking machines; electrical and electronic typewriters; envelope sealing machines, for offices; guillotine machines for office use; hole punches for office use; document laminators for office use; machines for office use for sorting documents; machines for office use for stamping mail; machines for office use for folding documents; machines for office use in addressing mail; mimeographs; pencil sharpening machines, electric or non-electric; sealing machines for offices; staplers; photo albums and collectors' albums; printing sets portable (office requisites) and bookbinding materials; book binders; chromolithographs; printing fonts; blackboards; terrestrial globes; paint boxes [articles for use in school]; small blackboards; teaching materials [except apparatus]; albums; autograph books; collector albums; event albums; photo albums; scrapbooks; sticker albums; works of art and figurines of paper

and cardboard, and architects' models; aquarelles; drawings; engravings and their reproductions; etchings; figurines made from cardboard; figurines made from paper; graphic prints and representations; lithographic works of art; architects' models; paintings; photo-engravings; pictures; portraits.

18 – Canes; animal skins and hides; bands of leather; leather shoulder belts; boxes of leather or leather board; chamois leather, other than for cleaning purposes; furniture coverings of leather; coverings of skins [furs]; fur; kid; leather and imitation leather; leather cloth; leather for shoes; leather thongs; leather trimmings for furniture; airline travel bags; articles of luggage being bags; athletic bags; attaché cases; baby carriers worn on the body; back frames for carrying children; backpacks; baggage; bags [envelopes, pouches] for packaging of leather; bags for campers; bags for climbers; bags for clothes; bags for school; garment bags for travel; bags made of imitation leather; bags made of leather; beach bags; beauty cases; belt bags; belt pouches; book bags; boot bags; hat boxes of leather; briefcase-type portfolios; briefcases for documents; bum bags; business card cases; canvas bags; card wallets; carriers for suits, shirts and dresses; carry-on bags; cases for keys; casual bags; coin holders; commutation-ticket holders; cosmetic bags; credit card cases; document suitcases; driving licence cases; duffel bags; evening handbags; flight bags; game bags; men's handbags; gym bags; handbags, purses and wallets; hunting bags; key wallets; luggage trunks; net bags for shopping; saddlebags; rucksacks; school bags; school knapsacks; shoe bags; shopping bags; sport bags; suitcases; tie cases; travel luggage; wallets; vanity cases, not fitted; wheeled bags; saddlery, whips and animal apparel; articles of clothing for horses; blankets for horses; clothing for animals; clothing for dogs; dog apparel; harness; saddlery; whips; sausage skins and imitations thereof; umbrellas and parasols; bags for umbrellas; beach umbrellas [beach parasols]; covers for parasols; garden umbrellas; golf umbrellas; parasols; umbrellas for children; walking sticks; alpenstocks; hiking sticks; mountaineering sticks; walking stick seats.

20 – Animal housing and beds; beds for pets; carriers for animals; dog baskets; containers not of metal, and non-metallic closures and holders therefor; boxes made of wood; boxes of wood or plastic; caskets made of amber; caskets made of bone; caskets made of cane; caskets made of celluloid; caskets made of cork; caskets made of horn; caskets made of ivory; caskets made of meerschaum; caskets made of mother of pearl; caskets made of reed; caskets made of shell; caskets made of whalebone; caskets made of wicker; caskets made of wood; crates and pallets; letter boxes not of metal or masonry; storage baskets [furniture]; display stands; advertisement display boards of wood [non-

luminous]; advertisement display boards of plastic [non-luminous]; advertisement display boards of glass [non-luminous]; advertising balloons; assembled display stands; assembled exhibition stands; brochure holders [furniture]; counter stands; custom plates, not of metal, for vehicles; display cases; display racks; emblems, not of metal, for vehicles; exhibition stands; mobile display boards; non-metallic vehicle number plates; furniture and site furnishings; air cushions, not for medical purposes; air mattresses; air pillows; babies' cradles; bed frames; bed heads; bed mattresses; beds incorporating inner sprung mattresses; bedsprings; box springs; children's beds; cribs; cradles; cushions; feather beds; foam mattresses; hybrid beds being soft sided waterbeds [other than for medical use]; massage divans; spring mattresses; pillows; sleeping bags; sleeping mats; spring mattresses; waterbeds; carved picture frames; embroidery frames; frames for display boards; frames for photographs; frames for pictures; frames for signboards; mouldings for picture frames; bathroom mirrors; frames for mirrors; hand-held mirrors; locker mirrors; make-up mirrors for household use; make-up mirrors for travel use; mirror frames; mirrors [furniture]; pocket mirrors; silvered glass [mirrors]; wall mirrors; austrian blinds; bamboo blinds; bead curtains; blackout blinds [slatted, indoor]; blinds of reed, rattan or bamboo (sudare); slatted indoor blinds for protection against light; curtain drawing devices, other than electrically operated; curtain fittings; curtain hooks; curtain pins; curtain rails; curtain rings; curtain runners; curtain tie-backs; decorative bead curtains; drapery hardware; indoor blinds; venetian blinds; tie back hooks made of wood [curtain]; tie back hooks of brass [curtain]; window shades; clothes covers; clothes hooks; coat pegs [wall mounted hooks] non-metallic; hooks for clothes rails; non-metal clothes hooks; non-metallic clothes hangers; kick steps; ladders made of glass fibre; ladders made of plastics; ladders made of wood; ladders, not of metal; cylinder locks made of non-metallic materials; plastic key cards, not encoded; locks, not of metal, for vehicles; statues, figurines, works of art and ornaments and decorations, made of materials such as wood, wax, plaster or plastic, included in the class; works of art of wood, wax, plaster or plastic; busts of bone; busts of ivory; busts of plaster; busts of plastic; busts of wax; busts of wood; decorative mobiles; dream catchers [decoration]; figures made of plastics; figures made of rattan; figures made of wood; figures moulded from plastics material; figures of bone; figures of ivory; figurines made of gypsum cement; figurines made of gypsum derivatives; figurines made of plaster; miniature figurines [plastic]; model cars [ornaments] made of synthetic resin; model cars [ornaments] made of wax; model cars [ornaments] made of plastic; model cars [ornaments] made of plaster; model cars [ornaments] made of wood; CD sto-

rage racks; storage racks for compact discs; pigeon holes.

21 – Articles for cleaning purposes; boot stretchers; clothes brushes; clothes horses; glove stretchers; ironing board covers; flat-iron stands; shoe stretchers; stretchers for clothing; brushes and brush-making articles; articles for cleaning purposes; incense burners; oil burners (aromatherapy); applicators for applying eye make-up; applicators for cosmetics; body sponges; comb cases; combs; cosmetics applicators; dental cleaning articles; dispensers for liquid soap; boxes for dispensing paper towels; hair brushes; perfume bottles; perfume bottles sold empty; perfume sprayers [sold empty]; shaving brush stands; shaving brushes; shaving dishes; soap boxes; sponge holders; sponges; dental floss; electric tooth brushes; manual toothbrushes; toothbrush holders; bouquet holders; bowls for plants; flower baskets; gardening gloves; planters of glass; planters of porcelain; pots for flowers; artworks of glass; busts of china, terra-cotta or glass; collector plates; commemorative plates; decorative boxes of glass; figurines [statuettes] of porcelain, ceramic, earthenware or glass; garden gnomes of earthenware; model vehicles [ornaments] made of glass; model vehicles [ornaments] made of porcelain; model vehicles [ornaments] made of earthenware; model vehicles [ornaments] made of terra-cotta; piggy banks; works of art of porcelain, ceramic, earthenware or glass; bakeware; baking dishes; baking utensils; glass bowls; bowls made of precious metal; boxes of ceramics; boxes of china; boxes of earthenware; boxes of glass; boxes of porcelain; butlers' trays; butter dishes; cabarets [trays]; coffee makers, non-electric; cake molds; candelabra [candlesticks]; candle extinguishers; candle holders; carboys; carving boards; caviar coolers; cheese boards; china mugs; cheese covers; chopsticks; chopstick cases; cocktail picks; non-electric coffee brewers; coffee cups; coffee grinders; coffee mugs; coffee services of ceramic; coffee services of china; cooking utensils; cookware; cool boxes; covers for dishes; cruet sets; cups and mugs; cutlery rests; decorative china; dinner services; dish covers; dishes; dispensers for salt; dutch ovens; earthenware not included in other classes; earthenware saucepans; egg cups; epergnes; enamel boxes; finger bowls; flasks; food storage containers; fruit bowls; fruit presses, non-electric, for household purposes; garlic presses; glass bowls; painted glassware; glassware for household purposes; gravy boats; grills [cooking utensils]; hand-operated pepper mills; ice cube molds; household or kitchen utensils; ice cream scoops; japanese rice bowls (chawan); juice squeezers; kitchen containers; kitchen mixers, non-electric; knife blocks; lazy susans; melon ballers; menorahs; menu card holders; mixing spoons; mushroom brushes; pans; pastry cutters; pastry molds; pepper mills; pizza peels; pizza stones; porcelain not inclu-

ded in other classes; porcelain ware; portable coolers; pots; pottery; pudding molds; rice cooking pots [non-electric]; rotary cheese graters; salad bowls; hand-operated salad drainers; salt mills; salt cellars; serviette holders; serviette rings; shakers for spices; spoon rests; strainers; sugar bowls; tableware of porcelain; tea cups; tea filters; tea kettles [non-electric]; tea pots; toothpick holders; tureens; trivets; woks; beer mugs; beverage glassware; bottle coolers; bottle baskets coated with precious metal; bottle openers, electric and non-electric; bottle openers incorporating knives; carafes; champagne buckets; champagne flutes; cocktail shakers; cocktail stirrers; coolers for wine; corkscrews, electric and non-electric; cup holders; cups, not of precious metal; decanters; drinking glass holders; drinking glasses; drinking goblets; drip preventers for bottles; ice buckets; liqueur cups; liqueur flasks; mixers, manual [cocktail shakers]; siphon bottles for carbonated water; shot glasses; thermal insulated wrap for cans to keep the contents cold or hot; whisky glasses; wine buckets; wine glasses; wine tasters [siphons]; picnic baskets [not fitted]; flower baskets of wicker.

24 – Cloths; fabrics; artificial silk; bedroom textile fabrics; brocade; coated woven textile materials; coated fabrics for use in the manufacture of leather goods; composite textile materials; cotton fabric; damask; elastic woven material; fabrics for interior decorating; fabrics for shirts; fabrics for the manufacture of furnishings; fabrics made from silk, other than for insulation; foulard [fabric]; non-woven fabrics of natural fibres; non-woven fabrics of synthetic fibres; woven fabrics imitating leather; woven furnishing fabrics; banners of textile; cloth pennants; covers [loose] for furniture; curtains for windows; household cloths for drying glasses; household linen; household textile articles made from non-woven materials; household textile goods; linen; linen for household purposes; mosquito nets; nightdress cases of textile; seat covers [loose] for furniture; removable covers of textile for electronic apparatus [not fitted or shaped]; household textiles; washcloths; textiles for interior decorating; coverings for furniture; chair covers; fabric bed valances; loose covers for garden furniture; sofa covers; protective loose covers for mattresses and furniture; curtains; textile curtain holders; curtain loops of textile material; curtain valances; curtains for showers; indoor and outdoor curtains; labels; badges made of fabric material; adhesive materials in the form of stickers [textile]; printed textile labels; linens; friezes [textile wall hangings]; borders (textile wall hangings); mural hangings [textile]; wall hangings of silk; bath linen; bed clothes and blankets; bed linen; kitchen and table linens; linen for the bed; towels; bar cloths; dish towels for drying; cloth napkins; kitchen linen; oilcloth for use as tablecloths; table runners; table cloths; table covers; table linen; tea cloths; bed blankets; bed

coverings; bed linen and table linen; bed quilts; bed throws; blankets; canopies [covers for beds]; covers for duvets; covers for mattresses; covers for pillows; cushion covers; futon quilts; lap robes; pillow covers; plaids; rugs (travelling); silk blankets; travel blankets; bath sheets; bathroom towels; beach towels; children's towels; face towels; hand towels; golf towels; towel blankets; turkish towels.

25 – Ankle socks; anoraks; ascots; athletics wear; babies' clothing; bandanas; bath robes; bathing suits; bathing trunks; beachwear; belts [clothing]; bermuda shorts; bikinis; blazers; blouses; blouson jackets; boas; body stockings; body suits; boleros; bolo ties with precious metal tips; bottoms [clothing]; boxer shorts; brassieres; breeches; bridal gowns; bridesmaids wear; bush jackets; bustiers; caftans; car coats; cardigans; cashmere scarves; casual jackets; casual shirts; casual trousers; childrens' clothing; clothing for cyclists; clothes for sports; clothing for fishermen; clothing for gymnastics; clothing for horse-riding [other than riding hats]; clothing for leisure wear; clothing for martial arts; clothing for skiing; clothing for wear in judo practices; clothing for wear in wrestling games; clothing made of imitation leather; clothing made of leather; coats; cocktail dresses; collared shirts; collars; corselets; costumes; cravates; cuffs; denim jackets; denim jeans; dinner jackets; dinner suits; dress shirts; dress suits; evening dresses; evening gowns; fishermen's jackets; fishing jackets; fleece shorts; fleeces; football shirts; formal evening wear; fur coats and jackets; g-strings; gaiters; gilets; gloves; golf pants, shirts and skirts; gymwear; halter tops; headscarves; infants' clothing; japanese kimonos; japanese sleeping robes (nemaki); jeans; jogging bottoms; jogging outfits; jumpers; ladies' suits; leather clothing; leather jackets; leggings; leisurewear; light-reflecting jackets; light-reflecting coats; lingerie; loungewear; long sleeve pullovers; long jackets; mackintoshes; men's and women's jackets, coats, trousers, vests; motorcycle gloves; motorcycle jackets; motorcycle riding suits; motorcyclists' clothing of leather; neckwear; negligees; nightwear; outerclothing; parkas; polo shirts; printed t-shirts; pullovers; pyjamas; rain coats; ready-to-wear clothing; sailor suits; scarves; shawls; shirts; shorts; silk scarves; silk ties; skirt suits; slippers; slips; smoking jackets; snow suits; socks; sportswear; sweaters; t-shirts; tabards; thongs; ties; tops [clothing]; trenchcoats; underclothing; vests; waterproof jackets; waterproof outerclothing; waterproof suits for motorcyclists; waterskiing suits; weatherproof jackets; wet suits for surfing; wet suits for windsurfing; wind resistant jackets; windbreakers [clothing]; yashmaghs; headgear; baseball caps and hats; beanies; cap peaks; caps [headwear]; children's headwear; flat caps; golf caps; head sweatbands; leather headwear; rain hats; ski hats; sports caps; sports headgear [other than helmets]; sun hats; athletics footwear; baseball shoes; basketball shoes;

bath sandals; beach footwear; boots for motorcycling; boots for sport; bowling shoes; boxing shoes; canvas shoes; casual footwear; children's footwear; climbing boots [mountaineering boots]; cycling shoes; dance shoes; deck shoes; espadrilles; dress shoes; fishing boots; flip-flops; football boots; footwear for men and women; footwear for sport; golf footwear; gym boots; handball shoes; high-heeled shoes; hiking boots; horse-riding boots; hunting boots; insoles; jogging shoes; lace boots; ladies' footwear; leisure shoes; overshoes; polo boots; rain boots; rubber shoes; sandals; sneakers; soccer boots; soccer shoes; tennis shoes; trekking boots; volleyball shoes; cycling pants; cycling shorts; cycling tops; cyclists' clothing.

27 – Floor coverings and artificial ground coverings; heel protectors [mats] to prevent scuffing whilst driving the vehicle; mats for vehicles [not shaped]; automobile carpets; bath mats; car mats; carpeting; carpeting for vehicles; carpets [textile]; cork mats; door mats; fabric bath mats; floor mats; floor mats for vehicles; gymnasium mats; matting; non-slip mats; shower mats; textile bath mats; vehicle carpets; wrestling mats; ceiling paper; friezes [non-textile wall hangings]; handcrafted non-textile wall hangings; non-textile wall coverings; wall coverings of cork; wall coverings of paper; wall coverings of plastic; wall coverings of textile; wall hangings (non-textile); wall hangings, not of textile.

28 – Fairground and playground apparatus; festive decorations for christmas trees and artificial christmas trees; sporting articles and equipment; toys, games, playthings and novelties; apparatus for archery; ankle and wrist weights for exercise; apparatus for use in training for the game of rugby [sporting equipment]; apparatus for launching clay pigeons; appliances for gymnastics; archery targets; archery quivers; articles for playing golf; artificial climbing walls; ascenders [mountaineering equipment]; athletic protective arm pads for cycling; athletic protective arm pads for skating; athletic protective arm pads for skateboarding; athletic protective knee pads for skating; athletic protective knee pads for cycling; athletic protective wrist pads for skateboarding; athletic protective wrist pads for skating; athletic protective wrist pads for cycling; badminton rackets; bag stands for golf bags; bags adapted for sporting articles; bags adapted to carry surfboards; bags specially adapted for sports equipment; ball catchers; ball inflators; ball pitching machines; ball pumps; balls being sporting articles; barbells; baseball balls; baseball gloves; baseball masks; baseballs; basketball baskets; basketballs; batting gloves; beach balls; beams [gymnastic apparatus]; benches for gymnastic use; belts for weightlifting; stationary exercise bicycles; billiard cue tips; billiard cues; billiard equipment; billiard tables; bindings for alpine skis; bindings for snowboards;

boards used in the practice of water sports; bob-sleighs; body-building apparatus; body rehabilitation apparatus; body-training apparatus; bodyboards; shaped bodyboard covers; skating boots with skates attached; bowling bags; bowling balls; bowling gloves; bowling machines; bowls bags; boxing gloves; caddie bags for golf clubs; cases adapted for sporting articles; cases for tennis balls; catapults [sporting articles]; chest protectors [for baseball]; chest protectors [for hockey]; chest expanders; clubs for gymnastics; coverings for table tennis bats; sole coverings for skis; covers for golf clubs; covers for ski bindings; shaped covers for golf bags; shaped covers for badminton rackets; shaped covers for golf club heads; shaped covers for golf clubs; shaped covers for ski sticks; shaped covers for skis; cricket bags; cricket balls; cricket bats; cue extensions; billiard cue tips; curling brooms; discuses; divot repair tools [golf accessories]; dumb-bell shafts [for weight lifting]; dumb-bells; elbow guards [sports articles]; epee [fencing weapons]; exercise trampolines; fencing gauntlets; fencing gloves; fencing masks; fencing weapons; fitness exercise machines; football gloves; footballs; golf bags, with or without wheels; golf ball markers; golf balls; golf club grips; golf club shafts; golf irons; golf mats; golf practice apparatus; golf putters; golf tee bags; golf training aids; golfing gloves; gymnastic articles; hand protectors adapted for sporting use; handballs; hang gliders; climbers' harness; harness for sailboards; hockey gloves; hockey goals; hockey pucks; hockey sticks; hurdles for use in athletics; hurdles [for track sports]; ice hockey goalie pads; ice hockey pucks; ice hockey sticks; ice skates; in-line roller skates; in-line skates; indoor fitness apparatus; inflatable balls for sports; javelins [for field sports]; iron shots specifically for use in the shot put; karate kick pads; karate shin pads; kendo bamboo swords; kendo masks; kiteboards; lawn tennis rackets; masts for sailboards; monoskis; mountain boards; nets for sports; pads for use in sports; paragliders; parallel bars for gymnastics; petanque balls; protective covers for rackets; punching bags; rackets; rowing machines; rugby balls; sail boards; skateboards; skates; ski boards; skis; ski sticks; sledges [sporting articles]; snowshoes; soccer ball goal nets; soccer ball knee pads; soccer balls; softballs; sport balls; squash rackets; stomach exercisers; table-tennis balls; table tennis bats; table tennis nets; shaped table tennis racket covers; table tennis tables; targets; tennis balls; trampolines; waterski ropes; waterskis; windsurf boards; bags adapted for fishing; bite alarms for use in angling; bite indicators; bite sensors; butterfly nets; creels; decoy ducks for hunting; fish hooks; fish lures; fishing equipment; fishing lines; fishing hooks; fishing floats; fishing reels; fishing rods; fishing tackle; fishing tackle bags; fishing weights; harpoon guns [sports articles]; kick boards; swim floats for recreational use;

swimming flippers; water wings; artificial christmas trees; bells for christmas trees; explosive bonbons [christmas crackers]; christmas crackers; christmas tree decorations [other than edible or for illumination]; christmas tree decorations; christmas tree stands; artificial christmas trees; cosques [toy fireworks]; artificial snow for christmas trees; children's playground apparatus; action toys; animal replicas as playthings; apparatus for games; arcade games; articles of clothing for toys; automatic gaming machines; backgammon sets; balloons; balls for games; balls for juggling; balls for playing games; bath toys; battery operated remote controlled toy vehicles; billiard balls; bingo cards; bingo markers; board games; ball games; bouncing toys; camogie stick; card games; cases for action figures; cases for playing cards; checker sets; checkerboards; chess boards; chess games; children's four-wheeled vehicles [playthings]; children's playthings; children's playhouses; children's ride-on toy vehicles; children's riding vehicles [playthings]; children's toys; climbing frames (playthings); clockwork toys [of metal]; cloth toys; construction toys; coin-operated amusement apparatus; coin-operated amusement gaming machines; coin-operated amusement machines; coin-operated games; dart board cabinets; dart boards; dart flights; dart games; dice; dice games; domino sets; draughts; educational playthings; electronic board games; electronic games; electronically operated toy motor vehicles; flying discs [toys]; game cards; gliders [playthings]; go boards; go games; halloween masks; imitation bones being toys for dogs; tables for indoor football; inflatable ride-on toys; inflatable toys; kaleidoscopes; kites; magic tricks; kits of parts [sold complete] for making toy models; kits of parts [sold complete] for constructing models; kits of parts [sold complete] for making toy model cars; kits [sold complete] for the construction of scale models; mah-jong; marbles; marionettes; mechanical games; mechanical toys; miniature car models [toys or playthings]; miniature die cast vehicles; model aircraft; model cars; model railways; model vehicle racing sets; non-motorised toys for riding; pachinkos; paddle balls; paper airplanes; pet toys; play figures; play houses; play mats for use with toy vehicles; play sets for action figures; play swimming pools; play tunnels; play tents; playthings; puzzles; question sets for board games; quiz games; racing car games; radio controlled model vehicles; radio-controlled toys; remote controlled flying toys; ride-on toys; motorised ride-on toy vehicles; scale model airplanes; scale model buildings [toys]; scale model cars [playthings]; scale model figures; scale model vegetation; scooters [toys]; seesaws; skipping ropes; sledges [playthings]; sling shots; snow globes; spinning tops [playthings]; squeeze toys; swing sets; target games; tether balls; toy castles; toy construction kits; toy cookware; toy exercise apparatus; toy flowers; toy furniture; toy

gardening sets; toy houses; toy pedal cars; toy sporting apparatus; toy tableware; toy vehicle tracks; toys made of wood; toys made of metal; tricycles for children for use as playthings; video game apparatus; video game machines; water pistols; water toys; video game apparatus; arcade video game machines; controllers for game consoles; free-standing video games apparatus; hand-held electronic games; joysticks for video games; video games; stand-alone video game machines; hand held units for playing video games.

30 – Canapes; chips [cereal products]; pizzas; prepared pasta meals; sushi; tacos; aromatic preparations for food; capers; chili powders; crab boil [seasoning]; cream of tartar for culinary purposes; culinary herbs; curry powders; curry spices; dried herbs; edible spices; extracts of cocoa for use as flavours in foodstuffs; ground pepper; hot pepper powder [spice]; horseradish [relishes]; marinades; mixed spices; paprika; pepper; saffron; salt; almond confectionery; chocolate; chocolate confectionery containing pralines; liqueur chocolates; mousse confections; marzipan; nougat; coffee; coffee beans; green tea; black tea.

32 – Non-alcoholic beverages; soft drinks; cocktails, non-alcoholic; energy drinks; fruit juices; isotonic beverages.

33 – Cider; sake; spirits and liquors; wine; anise [liqueur]; blended whisky; bourbon whiskey; brandy; cachaca; calvados; cream liqueurs; curacao; digesters [liqueurs and spirits]; gin; grappa; kirsch; liqueurs; liqueurs containing cream; malt whisky; rum; schnapps; scotch whisky; vodka; whisky; fortified wines; sparkling wines; piquette; red wines; sangria; white wines; port; sherry; cider.

34 – Articles for use with tobacco; matches; e-cigarette vaporisers and electronic cigarettes, and flavourings and solutions therefor; smokers' articles; tobacco and tobacco products (including substitutes); match boxes; match holders; safety matches; cheroots; chewing tobacco; cigarette tobacco; cigarettes, cigars, cigarillos and other ready-for-use smoking articles; cigarettes containing tobacco substitutes; electronic cigarettes; flavourings for tobacco; hand-rolling tobacco; leaf tobacco; pipe tobacco; shag; smoking tobacco; ashtrays; cigarette papers; hookahs; lighters for smokers; mouth pieces for pipes; mouthpieces for cigarette holders; tobacco pipe cleaners; smoking pipe stands; smoking pipe stems; pipe tampers; pipes; tobacco containers and humidors; bags for pipes; cigarette cases; cigar boxes; cigar boxes of precious metal; cigar humidifiers; humidors; humidors for cigars of precious metal; cigar lighters; cigarette lighters; gas containers for cigar lighters; gas containers for cigarette lighters; lighters of precious metal.

35 – Advertising, marketing and promotional services; business analysis, research and information services; business assistance, management and administrative services; advertisement via mobile phone networks; advertisement and publicity services by television, radio, mail; preparing of advertisements; advertising; advertising and advertisement services; advertising and marketing services; advertising and

promotion services; advertising and publicity; advertising copywriting; advertising for motion picture films; advertising in the popular and professional press; advertising particularly services for the promotion of goods; advertising relating to transport and delivery; advertising services; advertising services for architects; advertising services for the promotion of e-commerce; advertising services for the literary industry; advertising services provided by a radio and television advertising agency; advertising services provided via a data base; advertising services provided by television; advertising services provided over the internet; advertising services relating to the recruitment of personnel; advertising services relating to the sale of motor vehicles; advertising services relating to motor cars; advertising services relating to public works; advertising services relating to financial services; advertising services relating to the travel industries; advertising services relating to the marine and maritime industry; agency services for promoting sports personalities; arrangement of advertising; arranging and conducting marketing promotional events for others; arranging of presentations for advertising purposes; arranging of product launches; assistance in product commercialization, within the framework of a franchise contract; banner advertising; brand creation services; brand evaluation services; brand positioning services; business advertising services relating to franchising; business assistance relating to business image; business assistance relating to corporate identity; business marketing services; business promotion; computerised business promotion; copywriting; corporate identity services; creating advertising material; direct marketing; distribution of advertising, marketing and promotional material; estimations for marketing purposes; loyalty, incentive and bonus program services; market campaigns; marketing; mediation of advertising; preparation of advertising matter; preparation of marketing plans; preparation of publicity publications; preparation of reports for marketing; preparation of trade publicity texts; press advertising services; product demonstrations and product display services; product marketing; promotion services; provision of advertising space, time and media; public relations services; publicity; sales promotion; commercial lobbying services; advertising services by means of balloon displays; arranging of demonstrations for commercial purposes;

preparation or presentation of audio-visual displays for advertising purposes; demonstration of goods; shop window dressings; window dressing services for advertising purposes; arranging and conducting of fairs and exhibitions for business purposes; arranging of displays for trade purposes; arranging of displays for business purposes; arranging of displays for commercial purposes; arranging of trade shows; customer club services, for commercial, promotional and/or advertising purposes; administration of customer loyalty scheme; management of customer loyalty, incentive or promotional schemes; sales promotion for others provided through the distribution and the administration of privileged user cards; advertising by mail order; direct mail advertising; arranging the distribution of advertising samples; advisory services relating to sales promotion; advisory services relating to promotional activities; advisory services relating to publicity for franchisees; advisory services relating to advertising; advisory services relating to corporate identity; advisory services relating to marketing; commercial administration of the licensing of the goods and services of others; administrative order processing; administrative processing and organising of mail order services; administrative processing of purchase orders; commercial information and advice for consumers [consumer advice shop]; arranging business introductions relating to the buying and selling of products; arranging of collective buying; arranging of commercial and business contacts; auctioneering services; computerised stock ordering; export-import agency services; mediation of agreements regarding the sale and purchase of goods; mediation and conclusion of commercial transactions for others; mediation of trade business for third parties; arranging newspaper subscriptions for others; rental of vending machines; subscription to a television channel; mail order retail services connected with clothing accessories; retail services connected with the sale of furniture; retail services connected with stationery; retail services connected with the sale of clothing and clothing accessories; retail services in relation to teas; retail services in relation to headgear; retail services in relation to printed matter; retail services in relation to jewellery; retail services in relation to articles for use with tobacco; retail services in relation to disposable paper products; retail services in relation to footwear; retail services in relation to alcoholic beverages (except beer); retail services in relation to lighting; retail services in relation to gardening articles; retail services in relation to time instruments; retail services in relation to sanitary installations; retail services in relation to cutlery; retail services in relation to luggage; retail services in relation to bags; retail services in relation to umbrellas; retail services in relation to recorded content; retail services in relation to educational supplies; retail services in relation to toiletries; retail services in

relation to clothing; retail services in relation to vehicles; retail services in relation to sporting equipment; retail services in relation to works of art; retail services in relation to cookware; retail services in relation to tableware; retail services in relation to furnishings; retail services in relation to information technology equipment; retail services in relation to coffee; retail services in relation to chocolate; retail services in relation to navigation devices; retail services in relation to audio-visual equipment; retail services in relation to confectionery; retail services in relation to furniture; retail services in relation to games; retail services in relation to toys; wholesale services in relation to jewellery; wholesale services in relation to food cooking equipment; wholesale services in relation to stationery supplies; wholesale services in relation to art materials; wholesale services in relation to educational supplies; wholesale services in relation to vehicles; wholesale services in relation to works of art; wholesale services in relation to footwear; wholesale services in relation to fragrancings preparations; wholesale services in relation to articles for use with tobacco; wholesale services in relation to furnishings; wholesale services in relation to umbrellas; wholesale services in relation to lubricants; wholesale services in relation to luggage; wholesale services in relation to bags; wholesale services in relation to headgear; wholesale services in relation to clothing; wholesale services in relation to tableware; wholesale services in relation to printed matter; wholesale services in relation to cookware; wholesale services in relation to disposable paper products; wholesale services in relation to festive decorations; wholesale services in relation to cutlery; wholesale services in relation to kitchen knives; wholesale services in relation to information technology equipment; wholesale services in relation to games; wholesale services in relation to navigation devices; wholesale services in relation to audio-visual equipment; wholesale services in relation to confectionery; wholesale services in relation to lighting; wholesale services in relation to coffee; wholesale services in relation to teas; wholesale services in relation to horticulture products; arranging and conducting auctions; arranging of auction sales; auctioning of vehicles; accountancy, book keeping and auditing; administration of businesses; administration relating to marketing; administrative data processing; assistance with business planning; assistance with business management; business advisory services, consultancy and information; business consultancy and advisory services; business management for shops; clerical services; management assistance; sales management services; analyses and appraisals of enterprises; analysis of business information; business analysis of markets; business evaluation services; business data analysis services; business investigations; business research

for new businesses; business studies; business surveys; collection and systematization of business data; conducting of business appraisals; cost analysis; market information services relating to market statistics; market research; marketing analysis; preparing business reports; providing trade information; provision of commercial information; provision of sales analyses; analysis of market research data; collection of information relating to market studies; corporate image studies; market analysis reports; promotional studies; statistical evaluations of marketing data; collecting business information; collection of data.

36 – Financial and monetary services, and banking; insurance services; pawnbrokerage; issuance of prepaid cards and tokens; valuation services; accident insurance; advice relating to insurance; agency services for arranging travel insurance; annuity services; arranging of insurance; brokerage of insurance; caravan insurance services; consultations [insurance]; financial consultancy and insurance consultancy; guarantee services; insurance services relating to motor vehicles; insurance services relating to boats; insurance underwriting and appraisals and assessment for insurance purposes; warranty services; real estate services; issue of phone card services; issue of tokens, coupons and vouchers of value; issuing gift certificates which may then be redeemed for goods or services; issuing of tokens of value in relation to customer loyalty schemes; issuing of tokens of value in relation to incentive schemes; safe deposit services; banking; brokerage services; currency trading and exchange services; debt recovery and factoring services; electronic banking services; finance services; financial information, data, advice and consultancy services; financial transfers and transactions, and payment services; homebanking; investment services; loan and credit, and lease-finance services; private banking; administration of shares; bonds brokerage; brokerage services in financial markets; clearing services; financial clearing; investment brokerage; management of securities; management of shares; management of stocks; arrangement of loans; arranging credit; commercial lending; consumer lending services; credit financing; credit brokerage; credit services relating to motor vehicles; lease purchase finance; lease purchase financing of vehicles; lending services to merchants for the purpose of financing store inventories of vehicles.

38 – Telecommunication services; advisory services relating to communications; audio communications services; broadcasting services; cable transmission of sounds, images, signals and data; computer communication and internet access; data communication by electronic means; delivery of digital audio and/or video by telecommunications; electronic network communications; information about telecommunications; message sending, receiving and forwarding;

news agency services; operation of telecommunications systems; telephone and mobile telephone services; video conferencing; access to content, websites and portals; chatroom services; communication by computer; communication services for video conferencing purposes; computer aided transmission of information and images; e-mail and mailbox services; electronic forwarding of messages; providing access to chat rooms; streaming of audio material on the internet; streaming of video material on the internet.

39 – Packaging and storage of goods; parking and vehicle storage, mooring; transport; air transport services; airline and shipping services; armored car transport; ambulance transport; arrangement of transportation; arrangement of transportation of people; arranging and providing transport by land, sea and air; boat chartering; car transport; charitable services, namely providing transportation; driving services; hauling services; motor car transport services; navigation (positioning, and route and course plotting); operating of road and motorway tolls; railway transport services; rental of means of transportation; transportation and delivery of goods; travel and passenger transportation; GPS navigation services; navigation services; route planning services; rental of navigational systems; baggage check-in services; baggage handling services; express delivery of goods; mail delivery and courier services; arranging vehicle rental; auto leasing services; automobile rental reservation services; bicycle rental; boat hire; boat rental; booking of hire cars; rental of motor racing cars; rental of vehicle roof racks.

41 – Education, entertainment and sports; publishing and reporting; translation and interpretation; book and review publishing; commissioned writing [plays, musicals, for publications etc]; consultation services relating to the publication of magazines; consultation services relating to the publication of written texts; consultation services relating to the publication of books; desk top publishing; editorial consultation; electronic online publication of periodicals and books; publication of magazines; music publishing services; news reporting; publication of brochures; publication of calendars of events; publication of electronic magazines; publication of manuals; amusement park and theme park services; arranging and conducting of concerts; arranging for ticket reservations for shows and other entertainment events; arranging group recreational activities; arranging of presentations for cultural purposes; organization of art exhibitions for cultural or educational purposes; audio-visual display presentations; ballet shows; balloon decorating services; cabarets and discotheques; cultural and sporting activities; directing of radio or television programs; education and instruction; electronic game services and competitions provided by means

of the internet; entertainment; entertainment in the nature of dance performances; entertainment in the nature of football games; entertainment in the nature of soccer games; entertainment in the nature of golf tournaments; entertainment in the nature of hockey games; entertainment in the nature of light shows; entertainment in the nature of fashion shows; entertainment in the nature of laser shows; entertainment in the nature of magic shows; entertainment relating to wine tasting; entertainment provided via the internet; entertainment services for producing live shows; entertainment services performed by singers; entertainment services performed by musicians; entertainment services provided at a motor racing circuit; entertainment services provided during intervals at sports events; fan club organisation; fan clubs in the nature of entertainment; gambling; photography; recreational services; recreation information; museums; special event planning; sports and fitness; training and education services; wine tastings [entertainment services]; arranging and conducting of educational seminars; arranging and conducting conferences and seminars; arranging of award ceremonies; arranging of conferences; arranging of demonstrations for training purposes; arranging of games; arranging of seminars; art exhibitions; organising congresses; organising of golf tournaments; organization of fashion shows for entertainment purposes; museum exhibitions; aerial photography; audio production services; editing of cine-films; editing of television programmes; editing or recording of sounds and images; production of training films; production of sporting events for television; production of sporting events for film; production of sporting events for radio; arranging of sporting events; provision of diving facilities; entertainment in the nature of automobile races; golf courses; providing golf facilities; health and fitness club services; horse riding schools; provision of ice-skating facilities; information services relating to sport; providing of swimming pool facilities; organisation of automobile races; organisation of football competitions; organisation of horse riding meetings; organisation of ice skating shows; organisation of motorcycle racing; organisation of round the world races; organisation of sail boat races; organisation of sporting competitions and sports events; racing information services; winter sports instruction; electronic library services; academic examination services; adult education services; adult training; business training services; computer assisted training services; conducting workshops [training] relating to engine maintenance; conducting workshops [training] relating to power boat repair; conducting workshops [training] relating to automotive engine repair; cooking instruction; training courses relating to engineering; driver training; driving instruction in road safety; education in road safety; fitness club

services; golf tuition; training for automobile competitions; training of car drivers.

42 – Design services; scientific and technological services; computer programming and software design; computer programming of video and computer games; design of computer software; creating and maintaining websites; cloud computing; electronic data storage; computer software rental services; advisory services relating to vehicle noise reduction; advisory services relating to technological research; advisory services relating to energy efficiency; advisory services relating to scientific research; architectural and urban planning services; conducting of technical feasibility studies; construction design; construction drafting; development of testing methods; development of vehicles; research in engine construction; research relating to technology; design of buildings; design of hotels; design services for architecture; house design; advisory services relating to planning applications; architectural design for town planning; architectural services relating to land development; automotive inspections; material testing; quality audits; quality checking; testing of vehicles; design consultation; design of exhibition stands; design of furniture; design of motor racing cars; design of motor vehicles; design of land vehicles; marine vehicle design; planning [design] of shops; planning [design] of buildings; product design and development; product development for vehicle construction and for vehicle body construction.

43 – Animal boarding; provision of food and drink; temporary accommodation; rental of furniture, linens and table settings; accommodation bureau services; accommodation reservations; arranging of temporary accommodation; booking of accommodation for travellers; charitable services, namely providing temporary accommodation; holiday accommodation services; hotels, hostels and boarding houses, holiday and tourist accommodation; nurseries, day-care and elderly care facilities; provision of temporary furnished accommodation; rental of rooms as temporary living accommodations; reservation of temporary accommodation; room booking; appraisal of hotel accommodation; arranging of hotel accommodation; booking of campground accommodation; booking of hotel accommodation; electronic information services relating to hotels; holiday camp services [lodging]; tourist homes; hotel reservations; hotels; motels; resort hotel services; resort lodging services; providing conference rooms; provision of exhibition facilities; hire of interior chairs; hire of interior lighting; hire of interior matting; hire of interior tables; hiring of furniture; hiring of furniture for exhibitions; rental of carpets; rental of chairs, tables, table linen, glassware; rental of furnishings; rental of furniture; domestic rental of lighting apparatus;

arranging of banquets; arranging of meals in hotels; banqueting services; bar services; bistro services; restaurants and bar services; cafe services; cafeterias; catering; club services for the provision of food and drink; cocktail lounge services; consulting services in the field of culinary arts; delicatessens [restaurants]; food preparation services; grill restaurants; hospitality services [food and drink]; hotel restaurant services; cocktail lounge services; rental of food service apparatus; rental of food service equipment; restaurant information services; restaurant services; tea rooms; wine bars.

(260) AM 2016 84918 A

(800) 1274036

(891) 2015 03 03

(731) TOYOTA JIDOSHA KABUSHIKI KAISHA
(also trading as TOYOTA MOTOR CORPORATION)

1, Toyota-cho, Toyota-shi, Aichi-ken
471-8571, Japan

(540)

LEXUS

(591) Black, white

(511)

1 – Industrial chemicals; coolants for vehicle engines; antifreeze; plastic adhesives, other than for stationery or household purposes; oil cement (putty); blueprint paper; photographic paper; photographic sensitizers; photographic dry plates; photographic developers; photographic fixing solutions; unexposed photographic films; chemical preparations for use in photography; artificial sweeteners (chemical preparations); flour for industrial purposes; starch for industrial purposes; unprocessed plastics (plastics in primary form).

2 – Dyestuffs; pigments; paints; printing ink; anti-rust greases; nonferrous metals in foil or powder form for painters, decorators, printers and artists; precious metals in foil or powder form for painters, decorators, printers and artists.

3 – Anti-static preparations for household purposes; de-greasing preparations for household purposes; rust removing preparations; stain removing benzine; fabric softeners for laundry use; laundry bleach; shoe and boot cream; shoe black (shoe polish); polishing preparations; soaps; detergents other than for use in manufacturing operations and for medical purposes; shampoos; windshield cleaning liquids; natural essential oils; synthetic perfumery; essential oils for use as food flavorings; aromatic oils; incense; fragrances; scented room sprays; abrasive paper; abrasive cloth; artificial pumice stone; polishing paper.

4 – Solid lubricants; grease for shoes and boots; preservatives for leather (oils and greases); solid fuels;

liquid fuels; gaseous fuels; mineral oils and greases for industrial purposes, not for fuel; lubricating oil for motor vehicle engines; lubricating grease for vehicles; non-mineral oils and greases for industrial purposes, not for fuel.

5 – Pharmaceutical preparations; veterinary preparations; sanitary preparations for medical purposes, vermin destroying preparations; fungicides; herbicides; lactose for pharmaceutical purposes; household deodorants; deodorizing room sprays; gauze for dressings; empty capsules for pharmaceuticals; eye patches for medical purposes; ear bandages; menstruation bandages; menstruation tampons; sanitary napkins; sanitary panties; absorbent cotton; adhesive plasters; bandages for dressings; breast-nursing pads; cotton swabs for medical purposes; incontinence diapers; babies' diapers of textile; mothproofing paper; lacteal flour for babies; semen for artificial insemination.

6 – Metal moulds for forming cement products; cotter pins of metal; containers of metal for transport; hardware of metal, small; keys; metal key blanks; metal nameplates and door nameplates; tool boxes of metal, empty; chains of metal for dogs; shoe dowels of metal; shoe pegs of metal.

7 – Sewing machines; internal combustion engines for power generation, other than for land vehicles; steam engines; steam engine boilers; jet engines other than for land vehicles; turbines other than for land vehicles; compressed air engines; mechanical engine parts for land vehicles; exhaust pipes for land vehicle engines; timing belts for land vehicle engines; mufflers for motors and engines; injectors for engines; fuel injectors; filter elements for fuel filters; radiators (cooling) for motors and engines; oil filters for motors and engines; air filters for automobile engines; filter elements for air cleaners for land vehicle engines; sparking plugs for internal combustion engines; glow plugs for diesel engines; transmission shafts, other than for land vehicles; shaft bearings (parts of machines); axles for machines; couplings other than for land vehicles; bearings (parts of machines); bearings for transmission shafts; bearings for machines; transmissions, other than for land vehicles; transmission gears for machines; power transmission belts for machines; driving chains other than for land vehicles; gear boxes other than for land vehicles; pulleys (parts of machines), shock absorbers for machines; springs (parts of machines); brakes for machines; brake segments other than for vehicles; brake linings other than for vehicles; brake pads other than for vehicles; brake shoes other than for vehicles; valves (parts of machines).

8 – Tweezers; hand tools; egg slicers, non-electric; sugar tongs; can openers, non-electric, nutcrackers; spoons; cheese slicers, non-electric; pizza cutters, non-electric; forks; bludgeons.

9 – Protective helmets; vehicle breakdown warning triangles; luminous or mechanical road signs; photographic, cinematographic and optical apparatus and instruments; measuring apparatus; measuring instruments; testing apparatus not for medical purposes; surveying apparatus and instruments; battery chargers; regulating apparatus, electric; control panels (electricity); converters, electric; electrical adapters; fuses; inverters (electricity); plugs, sockets and other contacts (electric connections); relays, electric; resistances, electric; switches, electric; transformers (electricity); voltage regulators for vehicles; solar batteries; fuel cells; electric batteries; photovoltaic cells; electric batteries for automobiles; telecommunication devices and apparatus; mobile phone straps; mobile phone neck straps; mobile phone cases; mobile phone accessories; camera straps; loudspeakers; cabinets for loudspeakers; battery chargers for use with telephones; headphones; earphones; telephone apparatus; intercoms; mobile phones; antennas; audio- and video-receivers; camcorders; capacitors; compact disc players; digital cameras; digital photo frames; DVD players; electro-dynamic apparatus for the remote control of signals; electronic notice boards; facsimile machines; Global Positioning System (GPS) apparatus; hands free kits for phones; high-frequency apparatus; intercommunication apparatus; musical juke boxes; microphones; electric monitoring apparatus; navigation apparatus for vehicles (on-board computers); optical data media; personal stereos; portable media players; radar apparatus; radio pagers; radios; record players; remote control apparatus; satellite navigational apparatus; smartphones; sound recording apparatus; sound recording carriers; sound reproduction apparatus; sound transmitting apparatus; television apparatus; transmitters of electronic signals; vehicle radios; video recorders; personal computers; personal computers for vehicles; tablet computers; computers for use in remote monitoring of fuel cell power generators using communication networks; carrying cases adapted for computers; covers and cases for mobile telephones; covers and cases for tablet computers and notebook computers; computer programs for mobile phones; computer programs for fuel saving drive diagnosis devices; blank USB flash drives; computer keyboards; apparatus and installations for the production of X-rays, not for medical purposes; bar code readers; central processing units (processors); chips (integrated circuits); computer memory devices; computer operating programs, recorded; computer peripheral devices; computer programs, recorded; computer programs (downloadable software); computer software applications, downloadable; computer software, recorded; data processing apparatus; disks, magnetic; electronic agendas; electronic book readers; electronic pocket translators; electronic tags for goods; integrated

circuit cards (smart cards); integrated circuits; interfaces for computers; lasers, not for medical purposes; light-emitting diodes (LED); magnetic data media; marine depth finders; metal detectors for industrial or military purposes; microprocessors; mouse pads; mouse (computer peripheral); optical character readers; printed circuit boards; printed circuits; printers for use with computers; protection devices against X-rays, not for medical purposes; sonars; electronic components; electronic memory devices; fire boats; fire engines; eyeglasses; goggles for sports; spectacles (optics); sunglasses; eyeglass cases; eyeglass chains; eyeglass cords; eyeglass frames; contact lenses; containers for contact lenses; spectacle lenses; game programs for home video game machines; electronic circuits and CD-ROMs recorded with programs for hand-held games with liquid crystal displays; electric and electronic effects units for musical instruments; downloadable image files; pre-recorded video discs; pre-recorded videos; exposed cinematographic films; exposed slide films; slide film mounts; downloadable electronic publications.

10 – Pacifiers for babies; supportive bandages; catgut; feeding cups for medical purposes; teats; ice bags for medical purposes; medical ice bag holders; babies' bottles; nursing appliances; finger guards for medical purposes; esthetic massage apparatus for industrial purposes; medical apparatus and instruments; electric massage apparatus for household purposes; ear picks.

11 – Industrial furnaces; nuclear reactors; electric lamps; lighting apparatus and installations; lighting apparatus for vehicles; light-emitting diodes (LED) lighting apparatus; pocket searchlights; LED desk lights; LED light bulbs; headlights for automobiles; rear combination lamps for automobiles; electric laundry dryers for household purposes; humidifiers for household purposes; electric bath-water purifying apparatus for household purposes; air purifiers for household purposes; electric fans for personal use; water ionizers for household purposes; electrically heated carpets; electric cooking utensils for household purposes; electric coffee machines for household purposes; electric cooking stoves for household purposes; electric radiant heaters for household purposes; electric foot warmers for personal use; electric bread toasters for household purposes; electric kettles for household purposes; electric blankets for household purposes, not for medical purposes; electric refrigerators for household purposes; electric freezers for household purposes; electric cooking ovens for household purposes; microwave ovens (cooking apparatus) for household purposes; electromagnetic induction cookers for household purposes; futon driers for household purposes; electric hair dryers for personal use; hot plates for household purposes; electric space cooling apparatus

for household purposes; extractor hoods for kitchens for household purposes; gas lamps; oil lamps; lamp chimneys; warming pans; pocket warmers; hot water bottles.

12 – Driving motors for land vehicles; engine mounts for land vehicles; engines for land vehicles; jet engines for land vehicles; motors for land vehicles; propulsion mechanisms for land vehicles; turbines for land vehicles; axle bearings for land vehicles; axles for land vehicles; axle journals; axles for vehicles; cardan shafts for vehicles; universal joints for land vehicles; wheel bearings for land vehicles; automobile chains; connecting rods for land vehicles, other than parts of motors and engines; gear boxes for land vehicles; gearing for land vehicles; hydraulic circuits for vehicles; reduction gears for land vehicles; torque converters for land vehicles; transmission chains for land vehicles; transmission shafts for land vehicles; transmissions for land vehicles; power transmission belts for land vehicles; brake discs for vehicles; brake linings for vehicles; brake pads for automobiles; brake segments for vehicles; brake shoes for vehicles; brakes for vehicles; anti-theft alarms for vehicles; wheelchairs; electric motors, not including their parts, for land vehicles; vessels (boats and ships); structural parts for boats; aircraft; structural parts for aircraft; railway rolling stock; structural parts for trains; automobiles; structural parts for automobiles; fitted fabric covers for vehicle seat belts; cigar lighters for automobiles; two-wheeled motor vehicles; bicycles; structural parts for motorcycles; structural parts for bicycles.

13 – Firearms; ammunition for firearms; gunpowder; explosive powders; pyrotechnic products; tanks (weapons).

14 – Precious metals, unwrought or semi-wrought; semi-wrought precious stones and their imitations; keyrings (trinkets or fobs); jewelry cases (caskets or boxes); ornaments of precious metal; bracelets (jewelry); brooches (jewelry); necklaces (jewelry); pendants (jewelry); tie pins; badges of precious metal; charms (jewelry); cuff links; clocks; watches; horological and chronometric instruments and cases therefor; horological and chronometric instruments and parts thereof.

15 – Tuning apparatus for musical instruments; xylophones; musical instruments; music stands; conductors' batons; tuning forks.

16 – Pastes for stationery or household purposes; paper gift bags for wine; bags of paper for packaging; boxes of cardboard or paper; garbage bags of paper for household use; garbage bags of plastics for household use; paper; cardboard; stationery; neck straps for card holders; drawing pads; memo blocks; paper notebooks; stationery-type portfolios; file folders; writing instruments; pouches for writing instruments; writing cases; terrestrial globes; paper

bows for gift wrap, printed matter; magazines (periodicals); newsletters; plastic shopping bags.

17 – Mica, raw or partly processed; valves of india-rubber or vulcanized fiber, not including machine elements; plastic fibers, not for use in textiles; aramid fibers, not for textile use; plastic fibers for use in the manufacture of tire cord; industrial packaging containers of rubber; bottle stoppers of rubber; plastic substances, semi-processed.

18 – Bags of leather, for packaging; boxes of leather or leather board; envelopes, of leather, for packaging; pouches, of leather, for packaging; clothing for pets; collars for pets; leather leashes; bags for carrying animals; bags; drawstring pouches; coin purses, not of precious metal; briefcases; suitcases; wheeled shopping bags; attaché cases; shopping bags; bags for sports; rucksacks; small backpacks; school satchels; travelling bags; tote bags; travelling cases of leather; wallets, not of precious metal; business card cases; key cases; pocket wallets; purses; commutation-ticket holders of leather; credit card cases of leather; luggage tags of leather; vanity cases, not fitted; umbrellas; walking sticks; canes; metal parts of canes and walking-sticks; handles for canes and walking-sticks; saddlery.

19 – Non-metallic minerals for building or construction; ceramic bricks for use in refractory furnaces; ceramic drain pipes; ceramic roofing tiles; ceramic tiles; clay pipes and conduits; clay roofing tiles; clay slabs; earthenware tiles; fired bricks; fireplace bricks; fireproof tiles; refractory blocks, not of metal; refractory bricks, not of metal; refractory mortars; semi-refractory bricks, not of metal; unfired bricks; plastic boundary marking posts; plastic conduits for drainage; plastic floorboards; plastic pipes for plumbing purposes; plastic tiles; plastic wallboards; flooring or wall claddings of synthetic materials; asphalt; asphalted felt; asphalt roofing felt; asphalt roofing paper; rubber floor tiles; rubber flooring; stucco tiles; non-agricultural lime for use in construction; plaster for building purposes; buildings, transportable, not of metal; cement; concrete; concrete building elements; mortar for building; penstock pipes, not of metal; building glass.

20 – Cushions (furniture); pillows; mattresses; bottle casings of wood; crates; wood boxes, not including wooden stoppers, lids and covers; industrial packaging containers of bamboo; baskets, not of metal; nameplates, not of metal; identity plates, not of metal; fans for personal use, non-electric; beds for household pets; dog kennels; carrying cases for household pets; window shades; personal compact mirrors; shoe dowels, not of metal; shoe pegs, not of metal.

21 – Electric toothbrushes; powder compacts; toilet brushes; cosmetic utensils; toilet utensils; glass jars (carboys); glass vials (receptacles); cooking pots;

frying pans; stew-pans; coffee filters, non-electric; coffee percolators, non-electric; kettles, non-electric; non-electric coffee drippers for brewing coffee; tableware, other than knives, forks and spoons; dishes; beer mugs; liqueur sets; lunch boxes; pitchers; salad bowls; saucers; services (dishes); table plates; teapots; glass tableware; cups; tea canisters; tumblers for use as drinking glasses; drinking glasses; non-electric portable coldboxes; food preserving jars of glass; drinking flasks for travellers; insulating flasks; candle extinguishers; candlesticks; feeding vessels for pets; brushes for pets; birdcages; bird baths; vases; flower bowls; brushes for shoes and boots; shoe horns; shoe shine cloths; shoe-trees (stretchers); coffee services (tableware); plastic water bottle holders; aroma therapy pots and their parts.

22 – Tarpaulins; sails; cotton waddings for clothes; hammocks; cotton batting for futon; cordage; industrial packaging containers of textile; textile gift bags for wine; wrapping or binding bands, not of metal; tarpaulins, not for ships; tents, not for camping.

23 – Thread; yarn.

24 – Woven fabrics, other than edging ribbons for tatami mats; towels of textile; handkerchiefs of textile; mosquito nets; sheets (textile); comforters (bedding); quilts; duvet covers; pillowcases; bed blankets; banners, not of paper; flags, not of paper; fitted toilet seat covers of textile; wall hangings of textile; curtains; tablecloths, not of paper; draperies (thick drop curtains); labels of cloth.

25 – Non-Japanese style outerclothing; coats; sweaters; cardigans; vests; waistcoats; shirts; cuffs; sport shirts; dresses; skirts; blouses; polo shirts; shirts for suits; sweatshirts; T-shirts; trousers; wind-resistant jackets; jersey pants; jersey shirts; nightwear; underwear; swimsuits; traditional Japanese clothing; sleep masks; aprons (clothing); socks; stockings; puttees and gaiters; fur stoles; shawls; scarves; Japanese style socks (tabi); Japanese style socks covers (tabi covers); gloves (clothing); neckties; neckerchiefs; bandanas (neckerchiefs); mufflers (neck scarves); ear muffs (clothing); hoods (clothing); nightcaps; headgear for wear; caps (headwear); hats; visors (headwear); garters; sock suspenders; braces for clothing (suspenders); waistbands (parts of clothing); belts (clothing); footwear; driving shoes; fittings of metal for footwear; sandals; slippers; mules; masquerade costumes; clothing for sports; wet suits for use by surfers; wetsuits for water-skiing; sports shoes; golf shoes; windsurfing shoes; horse-riding boots; bags for golf shoes.

26 – Badges for wear, not of precious metal; buckles (clothing accessories); brooches for clothing; special sash clips for obi (obi-dome); ornamental cloth patches; brassards; decorative articles for the hair; buttons; beads for handicraft work (haberdashery); snap fasteners; zippers; belt clasps; hook and pile faste-

ning tapes; artificial flowers; false beards; false mustaches; hair curlers, non-electric.

27 – Bath mats; Japanese rice straw mats (tatami mats); floor coverings; wall hangings, non-textile; artificial turf; gymnastic mats; wallpaper; floor mats for automobiles; carpets for automobiles.

28 – Toys for domestic pets; home video game machines; hand-held games with liquid crystal displays; toys; stuffed toys; toy vehicles; teddy bears; dolls; go games; dice; dice cups; chess games; checkers (games); conjuring apparatus; dominoes; playing cards; mah-jong; slot machines (gaming machines); billiard equipment; sports equipment; golf equipment; golf balls; golf ball markers; golf gloves; golf clubs; golf club heads; fitted head covers for golf clubs; golf bags, with or without wheels; sports bags shaped to contain specific sports apparatus; tennis equipment; tennis rackets; tennis balls; climbers' harness; sports equipment for surfing, water-skiing and scuba diving; machines for physical exercises; fishing tackle; butterfly nets.

29 – Edible oils and fats; milk products; processed meat products; meat, preserved; bottled fish products; canned fish products; fish, preserved; processed vegetables and fruits; pre-cooked curry stew; stews; soups; preparations for making soup.

30 – Aromatic preparations for food; tea; coffee; cocoa; almond confectionery; biscuits; bread; buns; cakes; candy; caramels (candy); chewing gum; chips (cereal products); chocolate; confectionery; cookies; crackers; edible ices; fruit jellies (confectionery); ice cream; pastries; peppermint sweets; popcorn; puddings; rice cakes; rusks; sugar confectionery; waffles; soya bean paste (condiment); meat gravies; ketchup (sauce); soya sauce; vinegar; dressings for salad; mayonnaise; barbecue sauce; cereal preparations; cake dough; cereal bars; corn flakes; dough; macaroni; noodles; oat flakes; oatmeal; pasta; spaghetti.

31 – Fresh vegetables; fruits, fresh; plant seeds; bulbs; trees; turf (natural); dried flowers; seedlings; saplings; flowers, natural; potted dwarfed trees (bonsai).

32 – Beer; aerated water; carbonated beverages, non-alcoholic; mineral water (beverages); non-alcoholic beverages; fruit juices; vegetable juices (beverages); extracts of hops for making beer; whey beverages.

34 – Tobacco; smokers' articles; cigars; cigar cutters; cigar holders; cigar cases; humidors; matches; cigarette paper.

35 – Advertising and publicity services; business management analysis or business consultancy; marketing research; business management of hotels; retail services or wholesale services for automobiles.

36 – Banking services relating to the deposit of money; financing services; discount of bills; acceptance of bills of exchange; liability guarantee and acceptance of bills of exchange; securities lending; securities deposit services; safe deposit services for valuables; foreign currency exchange services; trusteeship of financial futures contracts; trusteeship of money, securities, personal property and land; foreign exchange transactions; issuing of letters of credit; brokerage services relating to hire-purchase; trading of securities and bonds; trading of securities index futures for others; trading of securities options for others; agencies for brokerage of securities, securities index futures, securities options and foreign market securities futures; trading of securities and securities index futures in overseas markets; securities underwriting; stock exchange quotations; life insurance brokerage; life insurance underwriting services; brokerage of non-life insurance; claims adjustment for non-life insurance; non-life insurance underwriting; insurance premium rate computing; management of buildings; land management; real estate brokerage, management and appraisal services; real estate services relating to the sale, purchase and leasing of real estate; providing real estate information relating to property and land; used automobiles appraisal; rental of paper money and coin counting machines.

37 – Shipbuilding; repair or maintenance of vessels; aircraft maintenance or repair; repair of bicycles; repair or maintenance of automobiles; repair or maintenance of railway rolling stocks; repair or maintenance of two-wheeled motor vehicles; repair or maintenance of computers; repair or maintenance of electronic machines and apparatus; repair or maintenance of telecommunication machines and apparatus; repair or maintenance of measuring and testing machines; repair or maintenance of sewing machines; repair or maintenance of mechanical parking systems; repair or maintenance of bicycle parking apparatus; rental of car washing apparatus; rental of dish drying machines for restaurants; rental of dish washing machines for industrial purposes.

38 – Telecommunication (other than broadcasting); wireless mobile phone services; telex services; providing telecommunications connections to a global computer network; telegraph services; communications by telephone; facsimile transmission; radio paging services; transmission of sound, images and text data over the Internet; electronic bulletin board services over the Internet (telecommunications services); communications by telephone using Internet lines; computer aided transmission of messages; providing information relating to data communications (including provision of information via wireless or cable communication networks); communications via satellite; electronic mail; providing telecommunications connections via computer terminals; value-

added network communications; broadcasting; television broadcasting; cable television broadcasting; radio broadcasting; news agencies; rental of telecommunication equipment.

39 – Car transport; provision of road and traffic information; chauffeur services; ship transport; electricity distribution; car parking; car rental; rental of vessels; rental of bicycles; rental of aircraft; rental of mechanical parking systems; rental of wheelchairs; conducting of travel tours; travel tour guide services; travel arrangement and reservation services excluding those for lodging.

40 – Treatment or processing of cloth, clothing or fur; custom tailoring; embroidery services; metal treating; electroplating; millworking; annealing; metal tempering; hot dipping; processing of rubber; processing of plastic materials; woodworking; paper treating; food smoking; freezing of foods; fruit crushing; processing of foodstuffs for use in manufacture; engraving of sealing stamps; rental of machines and apparatus for treating textiles; rental of metal treating machines and tools; rental of chemical processing machines and apparatus; printing; offset printing; photogravure printing; silkscreen printing; lithographic printing; digital printing; letterpress printing; rental of sewing machines; rental of air-conditioning apparatus for household purposes; rental of humidifier for household purposes; rental of air purifiers for household purposes; rental of electricity generators.

41 – Educational and instruction services; educational and instruction services relating to arts and crafts; educational and instruction services relating to sport; educational and instruction services relating to music and dance; educational and training services relating to games; educational services provided by schools; provision of educational examinations and tests; provision of educational information; arranging and conducting of seminars; providing electronic publications from a global computer network or the Internet, not downloadable; reference libraries of literature and documentary records; art exhibitions; museum services; publication of books; organization of entertainment shows; organization of shows and concerts; organization, presentation and production of shows and live performances; cinema presentations; motion picture film production; distribution of motion picture films; providing on-line videos, not downloadable; live entertainment; organization, arranging and conducting of sports competitions; organization, arranging and conducting of professional golf tournaments or competitions; organization, arranging and conducting of soccer games; organization, arranging and conducting of sumo wrestling competitions; organization, arranging and conducting of boxing matches; organization, arranging and conducting of baseball games; organization of entertainment events; arranging of design con-

tests; conducting of film festivals; arranging award ceremonies and gala evenings for entertainment purposes; organization of competitions and award ceremonies; organization of automobile races; providing sports facilities; providing amusement facilities; providing theatre and cinema facilities; music-halls; providing exhibition facilities for photographs, paintings and works of art; organization and presentation of shows, competitions, games, concerts and entertainment events; provision of entertainment; recording, production and distribution of films, video and audio recordings, radio and television programs; providing on-line images, videos, music and games, not downloadable, from a computer network.

42 – Providing weather information; architectural design; surveying; design services; computer programming; research for the pharmaceutical industry; laboratory research in the field of cosmetics; technical research in the field of food; conducting technical project studies for construction projects; research in the field of prevention of pollution; testing or research on electricity; testing or research on civil engineering; engineering research; calibration (measuring); mechanical research; rental of measuring apparatus; rental of computers; providing computer programs designed to the specifications of others; rental of laboratory apparatus and instruments.

43 – Providing temporary accommodation; agency services for the reservation of temporary accommodation; providing food and drink; bar services; cafe, cafeteria and restaurant services; boarding for animals; preschooler and infant care at daycare centers; retirement homes; providing day care services for adults and children; providing conference rooms; providing facilities for exhibitions; rental of futon and quilts; rental of coffee extractor for industrial purposes; rental of cooking equipment for industrial purposes; rental of coffee services (tableware); rental of non-electric cooking heaters; rental of kitchen worktops; rental of kitchen sinks; rental of curtains for hotels; rental of beds; rental of furniture; rental of wall hangings for hotels; rental of floor coverings for hotels; rental of towels for hotels.

44 – Beauty salons; barber shop services; provision of bath houses; garden or flower bed care; garden tree planting; fertilizer spreading; weed killing; vermin exterminating for agriculture, horticulture or forestry; aromatherapy services; massage and therapeutic shiatsu massage; chiropractics; moxibustion; treatment of dislocated joints, sprains or bone fractures; acupuncture; medical services; provision of medical information; physical examination; dental clinic services; preparation and dispensing of medication; physical rehabilitation; providing physical rehabilitation facilities; dietary and nutritional guidance; animal breeding; veterinary services; animal grooming; nursing care; rental of potted plants; farming equipment rental; rental of machines and apparatus

for use in beauty salons or barbers' shops; rental of lawnmowers.

45 – Rental of safes; consultancy services in the field of personal fashion; information relating to fashion coordination services for individuals; proxy services for application for automobile inspection; legal services relating to copyright licensing; security services relating to vehicles; stolen vehicle recovery services; stolen vehicle tracking; baggage inspection for security purposes; security guarding for facilities; personal body guarding; pet sitting; baby sitting; caring for babies (excluding services provided at facilities); clothing rental; rental of electric monitoring apparatus; rental of safety equipment; rental of anti-theft alarms for vehicles; rental of anti-intrusion alarms; rental of security surveillance apparatus; rental of protective clothing and equipment; rental of disaster prevention device; rental of fire alarms; rental of fire extinguishers.

(260) AM 2016 84955 A

(800) 1274933

(891) 2015 09 11

(731) TISSOT SA

Chemin des Tourelles 17, CH-2400 Le Locle,
Switzerland

(540)

OFFICIAL TIMEKEEPER OF EMOTIONS

(511)

14 – Precious metals and their alloys and goods made of these materials or coated therewith included in this class; jewelry, jewelry boxes, cases, precious stones; timepieces and chronometric instruments, presentation cases for timepieces, cases for timepieces.

(260) AM 2016 85009 A

(800) 1275330

(891) 2015 06 30

(731) MEGA Spielgeräte Entwicklungs- und
Vertriebsgesellschaft mbH & Co. KG
Im Dachsstück 15, 65549 Limburg,
Germany

(540)

Chinese Dragon

(511)

9 – Scientific, nautical, surveying, photographic, cinematographic, optical (except spectacles), weighing, measuring, signalling, checking (supervision), life-saving and teaching apparatus and instruments; apparatus and instruments for conducting, switching, transforming, accumulating, regulating or controlling electricity; apparatus for recording, transmis-

sion or reproduction of sound or images; magnetic data carriers, recording discs; compact discs, dvds and other digital recording media; cash registers, calculating machines, data processing equipment, computers; computer software; fire-extinguishing apparatus; musical jukeboxes and parts for the aforesaid automatic machines; automatic cash dispensers, automatic money counting and money changing machines; coin-operated mechanisms; computer and video games software; games software for use on any computer platform, including electronic entertainment and games consoles; computer game programs; computer games programs; video games (software); computer games provided through a global computer network or supplied by means of multi-media electronic broadcast or through telecommunications or electronic transmission or via the internet; computer games, leisure and recreational software, video games and computer software, all being provided in the form of storage media; programs for operating electric and electronic apparatus for games, amusement and/or entertainment purposes; automatic lottery machines; computer software for computer games on the internet; online games (software), in particular for online betting games, online prize games, online gambling games, online games of skill and online casino games; computer software in the form of an app for mobile devices and computers; calculating apparatus in coin-operated machines and parts for the aforesaid goods; apparatus for recording, transmission, processing or reproduction of data, including sound or images, including parts for all the aforesaid goods, except radio sets, television receivers, hi-fi systems, video recorders, telephone apparatus, fax machines and telephone answering machines; computer hardware and software for casino and amusement arcade games, for gaming machines, slot machines or video lottery gaming machines or games of chance via the internet; electric, electronic, optical or automatic apparatus, for identifying data carriers, identity cards and credit cards, bank notes and coins; electric, electronic or optical alarm and monitoring installations, including video cameras and apparatus for image transmission and image processing; data processing apparatus and computers, including data processing apparatus and computers being components for data networks and parts facilitating data network communications; electric wiring harnesses; circuit boards, printed circuit boards (electronic components) and combinations thereof, being assemblies and parts for apparatus, included in this class.

28 – Toys; gymnastic and sporting articles not included in other classes; decorations for christmas trees; gaming apparatus (including coin-operated apparatus); coin-operated arcade games (machines); games for amusement arcades (included in this class); coin-operated video gaming apparatus; video

games apparatus adapted for use with external screens or monitors only; casino fittings, namely roulette tables, roulette wheels; coin-operated automatic gaming machines and gaming machines, in particular for gaming arcades, with or without a prize payout; electronic or electrotechnical gaming apparatus, automatic gaming machines, gaming machines, slot machines operated by coins, tokens, banknotes, tickets or by means of electronic, magnetic or biometric storage media, in particular for commercial use in casinos and amusement arcades, with or without a prize payout; automatic gaming machines and gaming machines, in particular for commercial use in casinos and gaming arcades, with or without a prize payout; coin-operated gaming machines and/or electronic money-based gaming apparatus (machines), with or without prizes; housings adapted for gaming machines, gaming apparatus and automatic gaming machines, operated by means of coins, tokens, tickets or by means of electronic, magnetic or biometric storage media, in particular for commercial use in casinos and gaming arcades, with or without a prize payout; electronic games; electronic game entertainment apparatus and accessories; video output game machines; drawing apparatus for prize games and lotteries, draws or raffles; housings of metal, plastic and/or wood for coin-operated automatic machines; apparatus for games (including video games), other than adapted for use with external screens or monitors only; electropneumatic and electric slot machines with pulling handles (gaming machines); gaming tables, in particular for table football, billiards, sliding games; quoits (playthings) and darts; gaming machines, namely, electric, electronic or electromechanical apparatus for bingo games, lotteries or video lottery games and for betting offices, networked or unnetworked; lcd games consoles; automatic gaming machines; apparatus and devices for accepting and storing money, being fittings for the aforesaid automatic machines, included in this class.

41 – Education; providing of training; entertainment; sporting and cultural activities; rental of automatic slot machines and entertainment machines for casinos; arranging and conducting games; gambling; operating of lotteries; operating games on the internet, including online and being applications for smartphones; on-line games (over the internet); provision of entertainment and/or educational content for apps for mobile devices and computers; conducting quizzes by means of smartphone applications; providing casino facilities (gambling), betting offices; operating gaming establishments, arcades and/or online internet casinos and betting platforms; gambling services via the internet.

(260) AM 2016 85012 A
 (800) 1275340
 (891) 2015 06 09
 (731) ARTEM PAVLOVYCH KHYMYZ
 vul. Zubrivska 32, kv. 53, Lviv 79066, Ukraine
 (540)



(591) Black, white
 (511)

30 – Coffee, tea, cocoa and artificial coffee; rice; tapioca and sago; flour and preparations made from cereals; bread, pastry and confectionery; ices; sugar, honey, treacle; yeast, baking-powder; salt; mustard; vinegar, sauces (condiments); spices; ice; frozen yoghurt (confectionery ices); caramels (candy); lozenges (confectionery); confectionery; confectionery for decorating Christmas trees; candy; peppermint sweets; candy decorations for cakes; chocolate decorations for cakes; fruit jellies (confectionery); sweetmeats (candy); chocolate.

35 – Advertising; business management; business administration; office functions; demonstration of goods; provision of an on-line marketplace for buyers and sellers of goods and services; organization of exhibitions for commercial or advertising purposes; organization of trade fairs for commercial or advertising purposes; rental of advertising space; shop window dressing; commercial intermediation services; procurement services for others (purchasing goods and services for other businesses); presentation of goods on communication media, for retail purposes; direct mail advertising; distribution of samples; dissemination of advertising matter; the bringing together, for the benefit of others, of a variety of goods, excluding the transport thereof, enabling customers to conveniently view, order and purchase those goods at retail and wholesale shops; placing information on-line on web pages and websites of a variety of goods and services, enabling customers to conveniently view, order and purchase those goods and order services on-line from web pages and web-sites and obtain information concerning these goods or services; sales promotion for others.

(260) AM 2016 85015 A
 (800) 1275344
 (891) 2015 07 17
 (731) MEGA Spielgeräte Entwicklungs- und
 Vertriebsgesellschaft mbH & Co. KG
 Im Dachsstück 15, 65549 Limburg, Germany

(540)

Kangaroo Island

(511)

9 – Scientific, nautical, surveying, photographic, cinematographic, optical, weighing, measuring, signalling, checking (supervision), life-saving and teaching apparatus and instruments; apparatus and instruments for conducting, switching, transforming, accumulating, regulating or controlling electricity; apparatus for recording, transmission or reproduction of sound or images; magnetic data carriers, recording discs; compact discs, DVDs and other digital recording media; cash registers, calculating machines, data processing equipment, computers; computer software; fire-extinguishing apparatus; musical jukeboxes and parts for the aforesaid automatic machines; automatic cash dispensers, automatic money counting and money changing machines; mechanisms for coin-operated apparatus; computer and video games software; games software for use on any computer platform, including electronic entertainment and games consoles; programs for computer games; computer games; video games (software); computer games provided through a global computer network or supplied by means of multi-media electronic broadcast or through telecommunications or electronic transmission or via the internet; computer games, leisure and recreational software, video games and computer software, all provided in the form of storage media; programs for operating electric and electronic apparatus for games, amusement and/or entertainment purposes; automatic lottery machines; computer software for computer games on the internet; online games (software); computer software in the form of an app for mobile devices and computers; calculating apparatus in coin-operated machines and parts for the aforesaid goods; apparatus for recording, transmission, processing or reproduction of data, including sound or images, including parts for all the aforesaid goods, except radio sets, television receivers, hi-fi systems, video recorders, telephone apparatus, fax machines and telephone answering machines; computer hardware and software for casino and amusement arcade games, for gaming machines, slot machines or video lottery gaming machines or games of chance via the internet; electric, electronic, optical or automatic apparatus, for identifying data carriers, identity cards and credit cards, bank notes and coins; electric, electronic or optical alarm and monitoring installations, including video cameras and apparatus for image transmission and image processing; data processing equipment and computers, including data processing apparatus and computers being components for data networks and parts facilitating data network communications; electric wiring harnesses; circuit boards, printed board assemblies (electronic components) and combinations thereof, being assemblies and equipment parts, included in this class.

28 – Games; toys; gymnastic and sporting articles not included in other classes; decorations for christmas trees; gaming apparatus (including coin-operated apparatus); coin-operated arcade games (machines); games for amusement arcades (included in this class); coin-operated video gaming apparatus; video games apparatus adapted for use with external screens or monitors only; casino fittings, namely roulette tables, roulette wheels; coin-operated automatic gaming machines and gaming machines, in particular for gaming arcades, with or without a prize payout; electronic or electrotechnical gaming apparatus, gaming machines, games machines and slot machines operated by coins, tokens, banknotes, tickets or by means of electronic, magnetic or biometric storage media, in particular for commercial use in casinos and amusement arcades, with or without a prize payout; automatic gaming machines and gaming machines, in particular for commercial use in casinos and gaming arcades, with or without a prize payout; coin-operated gaming machines and/or electronic money-based gaming apparatus (machines), with or without prizes; housings adapted for gaming machines, gaming apparatus and automatic gaming machines, operated by means of coins, tokens, tickets or by means of electronic, magnetic or biometric storage media, in particular for commercial use in casinos and gaming arcades, with or without a prize payout; electronic games; video game apparatus, other than those adapted for use with an external display screen or monitor; video output game machines; drawing apparatus for prize games and lotteries, draws or raffles; housings of metal, plastic and/or wood for coin-operated automatic machines; apparatus for games (including video games), other than adapted for use with external screens or monitors only; electropneumatic and electric slot machines with pulling handles (gaming machines); gaming tables, in particular for table football, billiards, sliding games; quoits (playthings) and darts; electric, electronic or electromechanical gaming apparatus for bingo games, lotteries or video lottery games and for betting offices, networked or unnetworked; LCD games consoles; automatic gaming machines; including all the aforesaid automatic gaming machines, gaming machines and apparatus operating in networks; apparatus and devices for accepting and storing money, being fittings for the aforesaid automatic machines, included in this class.

41 – Education; providing of training; entertainment; sporting and cultural activities; rental of automatic slot machines and entertainment machines for casinos; arranging and conducting games; gambling; operating of lotteries; online game services provided via a computer network, including online and being applications for smartphones; on-line game services provided via a computer network; provision of entertainment and/or educational content for apps for mobile devices and computers; conducting quizzes

by means of smartphone applications; providing casino facilities (gambling), betting offices; operating gaming establishments, arcades and/or online internet casinos and betting platforms; gambling services via the internet.

(260) AM 2016 85028 A

(800) 1275356

(891) 2015 07 30

(731) MEGA Spielgeräte Entwicklungs- und Vertriebsgesellschaft mbH & Co. KG

Im Dachsstück 15, 65549 Limburg, Germany

(540)

Rail Road

(511)

9 – Scientific, nautical, surveying, photographic, cinematographic, optical, weighing, measuring, signalling, checking (supervision), life-saving and teaching apparatus and instruments; apparatus and instruments for conducting, switching, transforming, accumulating, regulating or controlling electricity; apparatus for recording, transmission or reproduction of sound or images; cash registers, calculating machines, data processing equipment, computers; computer software; fire-extinguishing apparatus; musical jukeboxes and parts for the aforesaid automatic machines; automatic cash dispensers, automatic money counting and money changing machines; mechanisms for coin-operated apparatus; computer and video games software; games software for use on any computer platform, including electronic entertainment and games consoles; programs for computer games; programs for operating electric and electronic apparatus for games, amusement and/or entertainment purposes; automatic lottery machines; computer software for computer games on the internet; online games (software); computer software in the form of an app for mobile devices and computers; calculating apparatus in coin-operated machines and parts for the aforesaid goods; apparatus for recording, transmission, processing or reproduction of data, including sound or images, including parts for all the aforesaid goods, except radio sets, television receivers, hi-fi systems, video recorders, telephone apparatus, fax machines and telephone answering machines; computer hardware and software for casino and amusement arcade games, for gaming machines, slot machines or video lottery gaming machines or games of chance via the internet; electric, electronic, optical or automatic apparatus, for identifying data carriers, identity cards and credit cards, bank notes and coins; electric, electronic or optical alarm and monitoring installations, including video cameras and apparatus for image transmission and image processing; data processing equipment and computers, including data processing apparatus and computers being components for data networks and parts facilitating data network communications;

electric wiring harnesses; circuit boards, printed board assemblies (electronic components) and combinations thereof being assemblies and equipment parts, included in this class.

28 – Gymnastic and sporting articles not included in other classes; decorations for christmas trees; gaming apparatus (including coin-operated apparatus); coin-operated arcade games (machines); games for amusement arcades (included in this class); coin-operated video gaming apparatus; video games apparatus adapted for use with external screens or monitors only; casino fittings, namely roulette tables, roulette wheels; coin-operated automatic gaming machines and gaming machines, in particular for gaming arcades, with or without a prize payout; electronic or electro technical gaming apparatus, gaming machines, games machines and slot machines operated by coins, tokens, banknotes, tickets or by means of electronic, magnetic or biometric storage media, in particular for commercial use in casinos and amusement arcades, with or without a prize pay-out; automatic gaming machines and gaming machines, in particular for commercial use in casinos and gaming arcades, with or without a prize payout; coin-operated gaming machines and/or electronic money-based gaming apparatus (machines), with or without prizes; housings adapted for gaming machines, gaming apparatus and automatic gaming machines, operated by means of coins, tokens, tickets or by means of electronic, magnetic or biometric storage media, in particular for commercial use in casinos and gaming arcades, with or without a prize payout; electronic games; electronic games apparatus and accessories thereof; video output game machines; drawing apparatus for prize games and lotteries, draws or raffles; housings of metal, plastic and/or wood for coin-operated automatic machines; apparatus for games (including video games), other than adapted for use with external screens or monitors only; electropneumatic and electric slot machines with pulling handles (gaming machines); gaming tables, in particular for table football, billiards, sliding games; quoits (playthings) and darts; gaming machines, namely, electric, electronic or electromechanical apparatus for bingo games, lotteries or video lottery games and for betting offices, networked or unnetworked; LCD games consoles; automatic gaming machines; all the aforesaid automatic gaming machines, gaming machines and apparatus operating in networks; apparatus and devices for accepting and storing money, being fittings for the aforesaid automatic machines, included in this class.

41 – Sporting and cultural activities; rental of automatic slot machines and entertainment machines for casinos: gambling; operating lotteries; on-line game services provided via a computer network; providing casino facilities (gambling), betting offices; operating gaming establishments, arcades and/or online

internet casinos and betting platforms; gambling services via the internet.

(260) AM 2016 85057 A

(800) 1275577

(891) 2015 08 28

(731) KUSUM PHARM LLC

54, Skriabina str., Sumy 40020, Ukraine

(540)

ZOLOPANT

(511)

5 – Pharmaceutical and veterinary preparations; sanitary preparations for medical purposes; dietetic food and substances adapted for medical or veterinary use, food for babies; dietary supplements for humans and animals; plasters, materials for dressings; material for stopping teeth, dental wax; disinfectants; preparations for destroying vermin; fungicides, herbicides; absorbent cotton; acaricides; acetates for pharmaceutical purposes; acids for pharmaceutical purposes; acne treatment preparations; aconitine; adhesive plasters; adhesive tapes for medical purposes; adhesives for dentures; adjuvants for medical purposes; air purifying preparations; air deodorising preparations; albumin dietary supplements; albuminous foodstuffs for medical purposes; albuminous preparations for medical purposes; alcohol for pharmaceutical purposes; aldehydes for pharmaceutical purposes; algicides; alginate dietary supplements; alginates for pharmaceutical purposes; alkaline iodides for pharmaceutical purposes; alkaloids for medical purposes; alloys of precious metals for dental purposes; aloe vera preparations for pharmaceutical purposes; aluminium acetate for pharmaceutical purposes; amino acids for medical purposes; amino acids for veterinary purposes; anaesthetics; analgesics; angostura bark for medical purposes; animal washes; anti-rheumatism bracelets; anti-rheumatism rings; anti-uric preparations; antibiotics; anticryptogamic preparations; antioxidant pills; antiparasitic preparations; antiparasitic collars for animals; antiseptic cotton; antiseptics; appetite suppressants for medical purposes; appetite suppressant pills; articles for headache; aseptic cotton; asthmatic tea; babies' napkins [diapers]; babies' napkin-pants [diaper-pants]; bacterial poisons; bacterial preparations for medical and veterinary use; bacteriological preparations for medical and veterinary use; balms for medical purposes; balsamic preparations for medical purposes; barks for pharmaceutical purposes; bath preparations for medical purposes; bath salts for medical purposes; belts for sanitary napkins [towels]; bicarbonate of soda for pharmaceutical purposes; biocides; biological preparations for medical purposes; biological preparations for veterinary purposes; biological tissue cultures for medical purposes; biological tissue cultures for veterinary purposes; bismuth preparations for pharmaceutical purposes;

ses; bismuth subnitrate for pharmaceutical purposes; blood plasma; blood for medical purposes; bone cement for surgical and orthopaedic purposes; bracelets for medical purposes; breast-nursing pads; bromine for pharmaceutical purposes; bronchodilating preparations; bunion pads; cachets for pharmaceutical purposes; cachou for pharmaceutical purposes; preparations for callouses; calomel; camphor oil for medical purposes; camphor for medical purposes; candy, medicated; candy for medical purposes; capsules for medicines; carbolinum [parasiticide]; casein dietary supplements; castor oil for medical purposes; cattle washes; caustic pencils; caustics for pharmaceutical purposes; cedar wood for use as an insect repellent; cellulose esters for pharmaceutical purposes; cellulose ethers for pharmaceutical purposes; cement for animal hooves; charcoal for pharmaceutical purposes; chemical preparations to treat mildew; chemical preparations to treat wheat blight [smut]; chemical preparations for treating phylloxera; chemical preparations for pharmaceutical purposes; chemical preparations for medical purposes; chemical preparations for veterinary purposes; chemical reagents for medical or veterinary purposes; chemico-pharmaceutical preparations; chewing gum for medical purposes; chilblain preparations; chinoline for medical purposes; chloroform; cocaine; cod liver oil; collodion for pharmaceutical purposes; collyrium; compresses; condurango bark for medical purposes; solutions for contact lenses; contact lens cleaning preparations; cooling sprays for medical purposes; corn rings for the feet; corn remedies; cotton for medical purposes; cotton swabs for medical purposes; cream of tartar for pharmaceutical purposes; creosote for pharmaceutical purposes; croton bark; cultures of microorganisms for medical and veterinary use; curare; decoctions for pharmaceutical purposes; dental abrasives; dental amalgams; dental cements; dental impression materials; dental lacquer; dental mastics; dental amalgams of gold; deodorants, other than for human beings or for animals; deodorants for clothing and textiles; depuratives; preparations for destroying noxious animals; preparations for destroying dry rot fungus; preparations for destroying mice; detergents for medical purposes; diabetic bread adapted for medical use; diagnostic preparations for medical purposes; diagnostic biomarker reagents for medical purposes; diagnostic preparations for veterinary purposes; diapers for pets; diastase for medical purposes; dietary fibre; dietary supplements for animals; dietetic beverages adapted for medical purposes; dietetic substances adapted for medical use; digestives for pharmaceutical purposes; digitalin; dill oil for medical purposes; disinfectants for hygiene purposes; disinfectants for chemical toilets; disinfectants; dog washes; dog lotions; douching preparations for medical purposes; dressings, medical; drugs for medical purposes; elixirs [pharmaceutical preparations]; enzyme preparations for

medical purposes; enzyme preparations for veterinary purposes; enzyme dietary supplements; enzymes for medical purposes; enzymes for veterinary purposes; ergot for pharmaceutical purposes; esters for pharmaceutical purposes; ethers for pharmaceutical purposes; eucalyptol for pharmaceutical purposes; eucalyptus for pharmaceutical purposes; extracts of hops for pharmaceutical purposes; eye-washes; eye-patches for medical purposes; preparations to facilitate teething; febrifuges; fennel for medical purposes; ferments for pharmaceutical purposes; first-aid boxes, filled; fish meal for pharmaceutical purposes; flour for pharmaceutical purposes; flowers of sulfur for pharmaceutical purposes; fly catching paper; fly glue fly destroying preparations; formic aldehyde for pharmaceutical purposes; frostbite salve for pharmaceutical purposes; fumigating sticks; fumigation preparations for medical purposes; fungicides; gallic acid for pharmaceutical purposes; gamboge for medical purposes; gases for medical purposes; gauze for dressings; gelatine for medical purposes; gentian for pharmaceutical purposes; germicides; glucose for medical purposes; glucose dietary supplements; glycerine for medical purposes; glycerophosphates; greases for medical purposes; greases for veterinary purposes; guaiacol for pharmaceutical purposes; gum for medical purposes; gurjun [gurion, gurian] balsam for medical purposes; haematogen; haemoglobin; haemorrhoid preparations; haemostatic pencils; headache pencils; herbal teas for medicinal purposes; herbicides; hormones for medical purposes; hydrastine; hydrastinine; hydrated chloral for pharmaceutical purposes; hydrogen peroxide for medical purposes; insect repellents; insect repellent incense; insecticides; iodides for pharmaceutical purposes; iodine for pharmaceutical purposes; iodoform; Irish moss for medical purposes; isotopes for medical purposes; jalap; jujube, medicated; lacteal flour for babies; larvae exterminating preparations; laxatives; lead water; lecithin for medical purposes; lecithin dietary supplements; leeches for medical purposes; preparations of lime for pharmaceutical purposes; liniments; linseed for pharmaceutical purposes; linseed meal for pharmaceutical purposes; linseed dietary supplements; linseed oil dietary supplements; lint for medical purposes; liquorice for pharmaceutical purposes; lotions for pharmaceutical purposes; lotions for veterinary purposes; lupulin for pharmaceutical purposes; magnesia for pharmaceutical purposes; malt for pharmaceutical purposes; malted milk beverages for medical purposes; mangrove bark for pharmaceutical purposes; medical preparations for slimming purposes; medicated animal feed; medicinal alcohol; medicinal mud; medicinal infusions; medicinal tea; medicinal oils; medicinal herbs; medicinal roots; medicinal drinks; medicinal hair growth preparations; medicine cases, portable, filled; medicines for alleviating constipation; medicines for dental purposes;

medicines for human purposes; medicines for veterinary purposes; melissa water for pharmaceutical purposes; menstruation bandages; menthol; mercurial ointments; milk ferments for pharmaceutical purposes; milk sugar for pharmaceutical purposes; milk of almonds for pharmaceutical purposes; milking grease; mineral waters for medical purposes; mineral water salts; mineral food supplements; mint for pharmaceutical purposes; moleskin for medical purposes; mothproofing preparations; mothproofing paper; moulding wax for dentists; mouthwashes for medical purposes; mud for baths; mustard oil for medical purposes; mustard for pharmaceutical purposes; mustard plasters; myrobalan bark for pharmaceutical purposes; napkins for incontinents; narcotics; nerviness; nutritional supplements; nutritive substances for microorganisms; oil of turpentine for pharmaceutical purposes; ointments for pharmaceutical purposes; opiates; opium; opodeldoc; ophotherapy preparations; oxygen baths; oxygen for medical purposes; pants, absorbent, for incontinents; panty liners [sanitary]; paper for mustard plasters; parasiticides; pastilles for pharmaceutical purposes; pearl powder for medical purposes; pectin for pharmaceutical purposes; pepsins for pharmaceutical purposes; peptones for pharmaceutical purposes; pesticides; petroleum jelly for medical purposes; pharmaceutical preparations; pharmaceutical preparations for skin care; pharmaceutical preparations for treating dandruff; phenol for pharmaceutical purposes; phosphates for pharmaceutical purposes; poisons; pollen dietary supplements; pomades for medical purposes; porcelain for dental prostheses; potassium salts for medical purposes; poultices; powder of cantharides; by-products of the processing of cereals for dietetic or medical purposes; propolis for pharmaceutical purposes; propolis dietary supplements; protein dietary supplements; protein supplements for animals; purgatives; pyrethrum powder; quassia for medical purposes; quebracho for medical purposes; quinine for medical purposes; quinquina for medical purposes; radioactive substances for medical purposes; radiological contrast substances for medical purposes; radium for medical purposes; rat poison; reagent paper for medical or veterinary purposes; preparations for reducing sexual activity; remedies for foot perspiration; remedies for perspiration; repellents for dogs; rhubarb roots for pharmaceutical purposes; royal jelly for pharmaceutical purposes; royal jelly dietary supplements; rubber for dental purposes; salts for mineral water baths; salts for medical purposes; sanitary panties; sanitary tampons; sanitary towels; sarsaparilla for medical purposes; scapulars for surgical purposes; sea water for medicinal bathing; sedatives; semen for artificial insemination; serotherapeutic medicines; serums; personal sexual lubricants; siccatives [drying agents] for medical purposes; slimming pills; slug exterminating preparations; smelling salts;

smoking herbs for medical purposes; sodium salts for medical purposes; soil-sterilising preparations; solvents for removing adhesive plasters; soporifics; starch for dietetic or pharmaceutical purposes; stem cells for medical purposes; stem cells for veterinary purposes; sterilising preparations; steroids; stick liquorice for pharmaceutical purposes; strychnine; styptic preparations; sugar for medical purposes; sulfonamides [medicines]; sulfur sticks [disinfectants]; sunburn preparations for pharmaceutical purposes; sunburn ointments; suppositories; surgical dressings; surgical implants comprised of living tissues; surgical glues; syrups for pharmaceutical purposes; tanning pills; tartar for pharmaceutical purposes; teeth filling material; therapeutic preparations for the bath; thermal water; thymol for pharmaceutical purposes; tincture of iodine; tinctures for medical purposes; tissues impregnated with pharmaceutical lotions; tobacco extracts [insecticides]; tobacco-free cigarettes for medical purposes; tonics [medicines]; preparations of trace elements for human and animal use; preparations for the treatment of burns; turpentine for pharmaceutical purposes; vaccines; vaginal washes; vermifuges; vermin destroying preparations; vesicants; veterinary preparations; vitamin preparations; vulnerary sponges; wadding for medical purposes; wart pencils; wheat germ dietary supplements; yeast for pharmaceutical purposes; yeast dietary supplements.

(260) AM 2016 85058 A

(800) 1275578

(891) 2015 08 28

(731) KUSUM PHARM LLC

54, Skriabina str. Sumy 40020, Ukraine

(540)

KLOSART

(511)

5 – Pharmaceutical and veterinary preparations; sanitary preparations for medical purposes; dietetic food and substances adapted for medical or veterinary use, food for babies; dietary supplements for humans and animals; plasters, materials for dressings; material for stopping teeth, dental wax; disinfectants; preparations for destroying vermin; fungicides, herbicides; absorbent cotton; acaricides; acetates for pharmaceutical purposes; acids for pharmaceutical purposes; acne treatment preparations; aconitine; adhesive plasters; adhesive tapes for medical purposes; adhesives for dentures; adjuvants for medical purposes; air purifying preparations; air deodorising preparations; albumin dietary supplements; albuminous foodstuffs for medical purposes; albuminous preparations for medical purposes; alcohol for pharmaceutical purposes; aldehydes for pharmaceutical purposes; algicides; alginate dietary supplements; alginates for pharmaceutical purposes; alkaline iodides for pharmaceutical purposes; alkaloids for medi-

cal purposes; alloys of precious metals for dental purposes; aloe vera preparations for pharmaceutical purposes; aluminium acetate for pharmaceutical purposes; amino acids for medical purposes; amino acids for veterinary purposes; anaesthetics; analgesics; angostura bark for medical purposes; animal washes; anti-rheumatism bracelets; anti-rheumatism rings; anti-uric preparations; antibiotics; anticryptogamic preparations; antioxidant pills; antiparasitic preparations; antiparasitic collars for animals; antiseptic cotton; antiseptics; appetite suppressants for medical purposes; appetite suppressant pills; articles for headache; aseptic cotton; asthmatic tea; babies' napkins [diapers]; babies' napkin-pants [diaper-pants]; bacterial poisons; bacterial preparations for medical and veterinary use; bacteriological preparations for medical and veterinary use; balms for medical purposes; balsamic preparations for medical purposes; barks for pharmaceutical purposes; bath preparations for medical purposes; bath salts for medical purposes; belts for sanitary napkins [towels]; bicarbonate of soda for pharmaceutical purposes; biocides; biological preparations for medical purposes; biological preparations for veterinary purposes; biological tissue cultures for medical purposes; biological tissue cultures for veterinary purposes; bismuth preparations for pharmaceutical purposes; bismuth subnitrate for pharmaceutical purposes; blood plasma; blood for medical purposes; bone cement for surgical and orthopaedic purposes; bracelets for medical purposes; breast-nursing pads; bromine for pharmaceutical purposes; bronchodilating preparations; bunion pads; cachets for pharmaceutical purposes; cachou for pharmaceutical purposes; preparations for callouses; calomel; camphor oil for medical purposes; camphor for medical purposes; candy, medicated; candy for medical purposes; capsules for medicines; carbolineum [parasiticide]; casein dietary supplements; castor oil for medical purposes; cattle washes; caustic pencils; caustics for pharmaceutical purposes; cedar wood for use as an insect repellent; cellulose esters for pharmaceutical purposes; cellulose ethers for pharmaceutical purposes; cement for animal hooves; charcoal for pharmaceutical purposes; chemical preparations to treat mildew; chemical preparations to treat wheat blight [smut]; chemical preparations for treating phylloxera; chemical preparations for pharmaceutical purposes; chemical preparations for medical purposes; chemical preparations for veterinary purposes; chemical reagents for medical or veterinary purposes; chemico-pharmaceutical preparations; chewing gum for medical purposes; chilblain preparations; chinoline for medical purposes; chloroform; cocaine; cod liver oil; collodion for pharmaceutical purposes; collyrium; compresses; condurango bark for medical purposes; solutions for contact lenses; contact lens cleaning preparations; cooling sprays for medical purposes; corn rings for the feet; corn remedies; cot-

ton for medical purposes; cotton swabs for medical purposes; cream of tartar for pharmaceutical purposes; creosote for pharmaceutical purposes; croton bark; cultures of microorganisms for medical and veterinary use; curare; decoctions for pharmaceutical purposes; dental abrasives; dental amalgams; dental cements; dental impression materials; dental lacquer; dental mastics; dental amalgams of gold; deodorants, other than for human beings or for animals; deodorants for clothing and textiles; depuratives; preparations for destroying noxious animals; preparations for destroying dry rot fungus; preparations for destroying mice; detergents for medical purposes; diabetic bread adapted for medical use; diagnostic preparations for medical purposes; diagnostic biomarker reagents for medical purposes; diagnostic preparations for veterinary purposes; diapers for pets; diastase for medical purposes; dietary fibre; dietary supplements for animals; dietetic beverages adapted for medical purposes; dietetic substances adapted for medical use; digestives for pharmaceutical purposes; digitalin; dill oil for medical purposes; disinfectants for hygiene purposes; disinfectants for chemical toilets; disinfectants; dog washes; dog lotions; douching preparations for medical purposes; dressings, medical; drugs for medical purposes; elixirs [pharmaceutical preparations]; enzyme preparations for medical purposes; enzyme preparations for veterinary purposes; enzyme dietary supplements; enzymes for medical purposes; enzymes for veterinary purposes; ergot for pharmaceutical purposes; esters for pharmaceutical purposes; ethers for pharmaceutical purposes; eucalyptol for pharmaceutical purposes; eucalyptus for pharmaceutical purposes; extracts of hops for pharmaceutical purposes; eye-washes; eye-patches for medical purposes; preparations to facilitate teething; febrifuges; fennel for medical purposes; ferments for pharmaceutical purposes; first-aid boxes, filled; fish meal for pharmaceutical purposes; flour for pharmaceutical purposes; flowers of sulfur for pharmaceutical purposes; fly catching paper; fly glue fly destroying preparations; formic aldehyde for pharmaceutical purposes; frostbite salve for pharmaceutical purposes; fumigating sticks; fumigation preparations for medical purposes; fungicides; gallic acid for pharmaceutical purposes; gamboge for medical purposes; gases for medical purposes; gauze for dressings; gelatine for medical purposes; gentian for pharmaceutical purposes; germicides; glucose for medical purposes; glucose dietary supplements; glycerine for medical purposes; glycerophosphates; greases for medical purposes; greases for veterinary purposes; guaiacol for pharmaceutical purposes; gum for medical purposes; gurjun [gurion, gurian] balsam for medical purposes; haematogen; haemoglobin; haemorrhoid preparations; haemostatic pencils; headache pencils; herbal teas for medicinal purposes; herbicides; hormones for medical purposes; hydrastine; hydrastinine; hydrated chloral for phar-

maceutical purposes; hydrogen peroxide for medical purposes; insect repellents; insect repellent incense; insecticides; iodides for pharmaceutical purposes; iodine for pharmaceutical purposes; iodoform; Irish moss for medical purposes; isotopes for medical purposes; jalap; jujube, medicated; lacteal flour for babies; larvae exterminating preparations; laxatives; lead water; lecithin for medical purposes; lecithin dietary supplements; leeches for medical purposes; preparations of lime for pharmaceutical purposes; liniments; linseed for pharmaceutical purposes; linseed meal for pharmaceutical purposes; linseed dietary supplements; linseed oil dietary supplements; lint for medical purposes; liquorice for pharmaceutical purposes; lotions for pharmaceutical purposes; lotions for veterinary purposes; lupulin for pharmaceutical purposes; magnesia for pharmaceutical purposes; malt for pharmaceutical purposes; malted milk beverages for medical purposes; mangrove bark for pharmaceutical purposes; medical preparations for slimming purposes; medicated animal feed; medicinal alcohol; medicinal mud; medicinal infusions; medicinal tea; medicinal oils; medicinal herbs; medicinal roots; medicinal drinks; medicinal hair growth preparations; medicine cases, portable, filled; medicines for alleviating constipation; medicines for dental purposes; medicines for human purposes; medicines for veterinary purposes; melissa water for pharmaceutical purposes; menstruation bandages; menthol; mercurial ointments; milk ferments for pharmaceutical purposes; milk sugar for pharmaceutical purposes; milk of almonds for pharmaceutical purposes; milking grease; mineral waters for medical purposes; mineral water salts; mineral food supplements; mint for pharmaceutical purposes; moleskin for medical purposes; mothproofing preparations; mothproofing paper; moulding wax for dentists; mouthwashes for medical purposes; mud for baths; mustard oil for medical purposes; mustard for pharmaceutical purposes; mustard plasters; myrobalan bark for pharmaceutical purposes; napkins for incontinents; narcotics; nerviness; nutritional supplements; nutritive substances for microorganisms; oil of turpentine for pharmaceutical purposes; ointments for pharmaceutical purposes; opiates; opium; opodeldoc; ophotherapy preparations; oxygen baths; oxygen for medical purposes; pants, absorbent, for incontinents; panty liners [sanitary]; paper for mustard plasters; parasiticides; pastilles for pharmaceutical purposes; pearl powder for medical purposes; pectin for pharmaceutical purposes; pepsins for pharmaceutical purposes; peptones for pharmaceutical purposes; pesticides; petroleum jelly for medical purposes; pharmaceutical preparations; pharmaceutical preparations for skin care; pharmaceutical preparations for treating dandruff; phenol for pharmaceutical purposes; phosphates for pharmaceutical purposes; poisons; pollen dietary

supplements; pomades for medical purposes; porcelain for dental prostheses; potassium salts for medical purposes; poultices; powder of cantharides; by-products of the processing of cereals for dietetic or medical purposes; propolis for pharmaceutical purposes; propolis dietary supplements; protein dietary supplements; protein supplements for animals; purgatives; pyrethrum powder; quassia for medical purposes; quebracho for medical purposes; quinine for medical purposes; quinquina for medical purposes; radioactive substances for medical purposes; radiological contrast substances for medical purposes; radium for medical purposes; rat poison; reagent paper for medical or veterinary purposes; preparations for reducing sexual activity; remedies for foot perspiration; remedies for perspiration; repellents for dogs; rhubarb roots for pharmaceutical purposes; royal jelly for pharmaceutical purposes; royal jelly dietary supplements; rubber for dental purposes; salts for mineral water baths; salts for medical purposes; sanitary panties; sanitary tampons; sanitary towels; sarsaparilla for medical purposes; scapulars for surgical purposes; sea water for medicinal bathing; sedatives; semen for artificial insemination; serotherapeutic medicines; serums; personal sexual lubricants; siccatives [drying agents] for medical purposes; slimming pills; slug exterminating preparations; smelling salts; smoking herbs for medical purposes; sodium salts for medical purposes; soil-sterilising preparations; solvents for removing adhesive plasters; soporifics; starch for dietetic or pharmaceutical purposes; stem cells for medical purposes; stem cells for veterinary purposes; sterilising preparations; steroids; stick liquorice for pharmaceutical purposes; strychnine; styptic preparations; sugar for medical purposes; sulfonamides [medicines]; sulfur sticks [disinfectants]; sunburn preparations for pharmaceutical purposes; sunburn ointments; suppositories; surgical dressings; surgical implants comprised of living tissues; surgical glues; syrups for pharmaceutical purposes; tanning pills; tartar for pharmaceutical purposes; teeth filling material; therapeutic preparations for the bath; thermal water; thymol for pharmaceutical purposes; tincture of iodine; tinctures for medical purposes; tissues impregnated with pharmaceutical lotions; tobacco extracts [insecticides]; tobacco-free cigarettes for medical purposes; tonics [medicines]; preparations of trace elements for human and animal use; preparations for the treatment of burns; turpentine for pharmaceutical purposes; vaccines; vaginal washes; vermifuges; vermin destroying preparations; vesicants; veterinary preparations; vitamin preparations; vulnerary sponges; wadding for medical purposes; wart pencils; wheat germ dietary supplements; yeast for pharmaceutical purposes; yeast dietary supplements.

(260) AM 2016 85062 A
 (800) 943146
 (891) 2007 05 24
 (731) GÜHRING KG
 Herderstrasse 50-54, 72458 Albstadt,
 Germany

(540)


(591) Black, white

(511)

6 – Unwrought and partly wrought common metals and their alloys; steel in the form of rolled or forged blocks and bars, as well as metal sheets and bands, also cold-formed; tool steel, high-speed steel, special steels in the form of cast, forged, rolled or sintered shaped pieces, metal sheets or bars; hard metals and cermet, namely sintered hard metals; metallic hard materials, namely carbide, nitride and boride, alloys, metal predominating, cast and sintered hard metal alloys, in the form of unworked, semi-worked or pre-sintered or processed work pieces; oxide ceramic cutting materials, including being blanks, in the form of blocks, bars, metal sheets, bands, wires, pipes, cutting discs, pins and bolts, included in this class; diamond cutting materials in the form of shaped bodies.

8 – Hand operated tools; hand tools made from, or tipped with, high-tensile cutting materials, HSS, hard metals, metal carbides, cermet, and alloys thereof, for the processing, cutting and shaping of metals and non-metallic materials; hand tools tipped with hard materials and hard metals.

9 – Computer programs on data carriers and data memories; computer programs for the management of application and usage data for tools, and for the optimisation of tool use with regard to manufacturing and tool engineering, materials management and logistics.

40 – Treatment of materials, namely coating, processing, regrinding of rotatory and cutting tools and tool bits.

42 – Engineering, namely technical tool management, for others; engineering services for ascertaining optimal tool use, tool positioning, transport, maintenance and optimisation, with regard to manufacturing and tool engineering, materials management and logistics.

(260) AM 2016 85068 A
 (800) 1275485
 (891) 2015 09 23
 (731) SCA Hygiene Products Hoogezand B.V.
 Abramskade 6, NL-9601 KM Hoogezand,
 Netherlands

(540)



(591) Pink, blue and white.

(511)

3 – Skin care products, namely wash cream, wash mousse, perineal wash cream and mousse; conditioner, cleansing cream, soaps, perfumery, essential oils and gels, moisturizers, lotions; disposable pre-moistened washcloths impregnated with chemicals or compounds for personal use (non medical).

5 – Absorbent sanitary preparations, sanitary napkins, tampons, towels, slips and panty liners for use as menstruation or incontinence protection; sanitary pads; sanitary towels; preparations for use in vaginal hygiene (medical); wet wipes (medical).

(260) AM 2016 85076 A
 (800) 1275590
 (891) 2015 03 05
 (731) MEGA Spielgeräte Entwicklungs- und
 Vertriebsgesellschaft mbH & Co. KG
 Im Dachsstück 15, 65549 Limburg, Germany
 (540)

Trap

(511)

9 – Scientific, nautical, surveying, photographic, cinematographic, optical, weighing, measuring, signalling, checking (supervision), life-saving and teaching apparatus and instruments; apparatus and instruments for conducting, switching, transforming, accumulating, regulating or controlling electricity; apparatus for recording, transmission or reproduction of sound or images; magnetic data carriers, recording discs; compact discs, DVDs and other digital recording media; cash registers, calculating machines, data processing equipment, computers; computer software; fire-extinguishing apparatus; musical jukeboxes and parts for the aforesaid automatic machines; automatic cash dispensers, automatic money counting and money changing machines; coin-operated mechanisms; computer and video games software; games software for use on any computer platform, including electronic entertainment and games consoles; computer game programs; computer games; video games (software); computer games provided through a global computer network or supplied by means of multi-media electronic broadcast or through telecommunications or electronic transmission or via the internet; computer games, leisure and recreational software, video games and compu-

ter software, all being provided in the form of storage media; programs for operating electric and electronic apparatus for games, amusement and/or entertainment purposes; automatic lottery machines; computer software for computer games on the internet; online games (software), in particular for online betting games, online prize games, online gambling games, online games of skill and online casino games; computer software in the form of an app for mobile devices and computers; calculating apparatus in coin-operated machines and parts for the aforesaid goods; apparatus for recording, transmission, processing or reproduction of data, including sound or images, including parts for all the aforesaid goods, except radio sets, television receivers, hi-fi systems, video recorders, telephone apparatus, fax machines and telephone answering machines; computer hardware and software for casino and amusement arcade games, for gaming machines, slot machines or video lottery gaming machines or games of chance via the internet; electric, electronic, optical or automatic apparatus, for identifying data carriers, identity cards and credit cards, bank notes and coins; electric, electronic or optical alarm and monitoring installations, including video cameras and apparatus for image transmission and image processing; data processing apparatus and computers, including data processing apparatus and computers being components for data networks and parts facilitating data network communications; electric wiring harnesses; circuit boards, printed circuit boards (electronic components) and combinations thereof, being assemblies and parts for apparatus, included in this class.

28 – Coin-operated arcade games (machines); games for amusement arcades (included in this class); coin-operated video gaming apparatus; casino fittings, namely roulette tables, roulette wheels; coin-operated automatic gaming machines and gaming machines, in particular for gaming arcades, with or without a prize payout; electronic or electrotechnical gaming apparatus, automatic gaming machines, gaming machines, slot machines operated by coins, tokens, banknotes, tickets or by means of electronic, magnetic or biometric storage media, in particular for commercial use in casinos and amusement arcades, with or without a prize payout; automatic gaming machines and gaming machines, in particular for commercial use in casinos and gaming arcades, with or without a prize payout; coin-operated gaming machines and/or electronic money-based gaming apparatus (machines), with or without prizes; housings adapted for gaming machines, gaming apparatus and automatic gaming machines, operated by means of coins, tokens, tickets or by means of electronic, magnetic or biometric storage media, in particular for commercial use in casinos and gaming arcades, with or without a prize payout; drawing apparatus for prize games and lotteries, draws or raffles; housings of metal, plastic and/or wood for coin-operated auto-

matic machines; electropneumatic and electric slot machines with pulling handles (gaming machines); gaming machines, namely, electric, electronic or electromechanical apparatus for bingo games, lotteries or video lottery games and for betting offices, networked or unnetworked; automatic gaming machines; all the aforesaid automatic gaming machines, gaming machines and apparatus operating in networks; apparatus and devices for accepting and storing money, being fittings for the aforesaid automatic machines, included in this class.

41 – Education; providing of training; entertainment; sporting and cultural activities; rental of automatic slot machines and entertainment machines for casinos; arranging and conducting games; gambling; operating of lotteries; operating games on the internet, including online and being applications for smartphones; on-line game services provided via the internet; provision of entertainment and/or educational content for apps for mobile devices and computers; conducting quizzes by means of smartphone applications; providing casino facilities (gambling), betting offices; operating gaming establishments, arcades and/or online internet casinos and betting platforms; gambling services via the internet.

(260) AM 2016 85077 A

(800) 1275617

(891) 2015 07 09

(731) WORLD MEDICINE İLAÇ SANAYİ VE
TİCARET ANONİM ŞİRKETİ
Evren Mah. Camiyolu Cad. No.50 Kat 1,
B Zemin 4-5-6 Güneşli, Bağcılar/Istanbul,
Turkey

(540)

FIBACTO
ФИБАКТО

(591) Black, white

(511)

5 – Medicines for human purposes, medicines for veterinary purposes, vitamin preparations, chemical preparations for medical purposes, dietetic substances adapted for medical use; dietetic foods adapted for medical purposes; baby foods, medicinal herbs, herbal beverages adapted for medical purposes, nutritional supplements, pollen dietary supplements, mineral food supplements, protein dietary supplements; dietary supplements for animals, fodder supplements for veterinary purposes; medicines for dental purposes, hygienic products for medical purposes including sanitary pads, breast-nursing pads and bunion pads, waddings for medical purposes, plasters for medical purposes, dressings for medical purposes, babies' napkins, preparations for destroying noxious plants, preparations for destroying noxious animals, fungicides, deodorants other than for hu-

man beings or for animals, air deodorising preparations, disinfectants for hygiene purposes, antiseptics, detergents for medical purposes.

(260) AM 2016 85087 A

(800) 1275618

(891) 2015 07 09

(731) WORLD MEDICINE İLAÇ SANAYİ VE
TİCARET ANONİM ŞİRKETİ
Evren Mah. Camiyolu Cad. No:50 K:1 B,
Zemin 4-5-6, Güneşli Bağcılar İstanbul,
Turkey

(540)

SHAMUL
ШАМУЛ

(591) Black, white

(511)

5 – Medicines for human purposes, medicines for veterinary purposes, vitamin preparations, chemical preparations for medical purposes, dietetic substances adapted for medical use; dietetic foods adapted for medical purposes; baby foods, medicinal herbs, herbal beverages adapted for medical purposes, nutritional supplements, pollen dietary supplements, mineral food supplements, protein dietary supplements; dietary supplements for animals, fodder supplements for veterinary purposes; medicines for dental purposes, hygienic products for medical purposes including sanitary pads, breast-nursing pads and bunion pads, waddings for medical purposes, plasters for medical purposes, dressings for medical purposes, babies' napkins, preparations for destroying noxious plants, preparations for destroying noxious animals, fungicides, deodorants other than for human beings or for animals, air deodorising preparations, disinfectants for hygiene purposes, antiseptics, detergents for medical purposes.

(260) AM 2016 85092 A

(800) 1275626

(891) 2015 07 08

(731) TOVARYSTVO Z OBMEZHENOIU
VIDPOVIDALNISTIU "NATSIONALNA
HORILCHANA KOMPANIJA"
Smilianske shose, 8-i kilometer, bud. 2,
s. Stepanyk Cherkaskyi raion, Cherkaska
oblast 19632, Ukraine

(540)

Перепелка

(591) Black, white

(511)

33 – Alcoholic beverages (except beer); aperitifs; arak (rice alcoholic beverage); brandy; wines flavored wines; white wines; table grape wines; dessert

wines; sparkling wines; zestful wines; liqueur wines; strong wines; muscat wines; semi-sweet wines; semi-dry wines; foaming wines, including carbonated wines; fruit wines; rose wines; table wines; dry wines; red wines; whisky; vermouths; anisette; anise [liqueur]; hydromel [mead]; vodka, cherry vodka, perry; gin; cocktails; curacao; liqueurs; peppermint liqueurs; distilled beverages; alcoholic beverages containing fruit; bitters; piquette; rice alcohol; rum; sake; cider; spirits [beverages]; alcoholic extracts; alcoholic essences; digesters [liqueurs and spirits]; fruit extracts, alcoholic; low alcohol beverages except beers containing not more than 12% by volume of alcohol.

(260) AM 2016 85096 A

(800) 1275686

(891) 2015 09 24

(731) FERRING B.V.

Polarisavenue 144, NL-2132 JX Hoofddorp,
Netherlands

(540)



(591) Black, white

(511)

5 – Pharmaceutical preparations; dietetic food and substances adapted for medical use; dietary supplements for humans; medical preparations and articles.

10 – Surgical and medical apparatus and instruments; parts and fittings of all the aforesaid goods included in this class.

42 – Scientific and technological services and research and design relating thereto; scientific and technological research services; design and development of computer hardware and software.

44 – Medical services; human healthcare services.

(260) AM 2016 85097 A

(800) 1275692

(891) 2015 10 07

(731) Tovarystvo z obmezhenoiu vidpovdalnstiu
"PROMYSLOVO-TORGOVELNA
KOMPANIJA SHABO"

Vul. Dzerzhynskogo, 10, s. Shabok,

Bilgorod-Dnistovskiy r-n, Odeska obl. 67770,
Ukraine;

ELDAR ZHORAJEVYCH IUKURIDZE

vul. Zukovskogo, 19, kv. 9, m. Odessa 65026,
Ukraine

(540)


SHABO
 HELLO PREMIUM VODKA

(591) Black, white

(511)

33 – Vodka.

(260) AM 2016 85099 A

(800) 1275693

(891) 2015 10 07

(731) Товариство з обмеженою відповідальністю
 "ПРОМЫСЛОВО-ТОРГОВЕЛНА
 КОМПАНИЈА SHABO"
 Vul. Dzerzhynskogo, 10, s. Shabok, Bilgorod-
 Dnistrovskij r-n Odeska obl. 67770, Ukraine;
 ELДАР ZHORAJEVYCH IUKURIDZE
 vul. Zukovskogo, 19, kv. 9, m. Odessa 65026,
 Ukraine

(540)


SHABO
 HELLO EXTRA VODKA

(591) Black, white

(511)

33 – Vodka.

(260) AM 2016 85100 A

(800) 1275701

(891) 2015 08 27

(731) KHALAF TURKI
 vul. Itskhaka Rabina, 55, kv. 10, m. Odesa
 65072, Ukraine

(540)



(591) Black, white

(511)

34 – Absorbent paper for tobacco pipes; ashtrays for smokers; books of cigarette papers; chewing tobacco; cigar cases; cigar cutters; cigar holders; cigarette cases; cigarette filters; cigarette holders; cigarette paper; cigarette tips; cigarettes; cigarettes containing tobacco substitutes, not for medical purposes; cigarrillos; cigars; electronic cigarettes; firestones; gas containers for cigar lighters; herbs for smoking; humidors; lighters for smokers; match holders; matchboxes; matches; mouthpieces for cigarette holders;

pipe cleaners for tobacco pipes; pipe racks for tobacco pipes; pocket machines for rolling cigarettes; snuff; snuff boxes; spittoons for tobacco users; tips of yellow amber for cigar and cigarette holders; tobacco; tobacco jars; tobacco pipes; tobacco pouches.

(260) AM 2016 85101 A

(800) 1275774

(891) 2015 09 08

(731) MERZ PHARMA GMBH & CO. KGAA
 Eckenheimer Landstr. 100, 60318 Frankfurt
 am Main, Germany

(540)

Anginosan

(511)

5 – Pharmaceutical and veterinary preparations, dietetic preparations for medical purposes, food supplements on the base of vitamins, plant extracts, amino acids, minerals and trace elements and food supplements for medical purposes; food supplements for non-medical purposes on the base of amino acids, fats, fatty acids, with added vitamins, minerals, trace elements, either individually or in combination; food supplements for non-medical purposes on the base of carbohydrates, roughage, with added vitamins, minerals, trace elements, either individually or in combination; sanitary preparations; medical products included in this class.

30 – Herbal teas for non-medical purposes, teas.

(260) AM 2016 85102 A

(800) 1275832

(891) 2015 09 22

(731) KHALAF TURKI
 vul. Itskhaka Rabina, 55, kv. 10 m. Odesa
 65072, Ukraine

(540)


Selfie

(591) Black, white

(511)

34 – Flavorings, other than essential oils, for use in electronic cigarettes; flavorings, other than essential oils, for tobacco; tips of yellow amber for cigar and cigarette holders; oral vaporizers for smokers; absorbent paper for tobacco pipes; tobacco jars; gas containers for cigar lighters; chewing tobacco; lighters for smokers; pipe cleaners for tobacco pipes; tobacco pouches; pocket machines for rolling cigarettes; cigarette tips; books of cigarette papers; matchboxes; firestones; tobacco pipes; cigar holders; cigarette holders; mouthpieces for cigarette holders; liquid nicotine solutions for use in electronic cigarettes; pipe racks for tobacco pipes; spittoons for

tobacco users; ashtrays for smokers; cigarettes; electronic cigarettes; cigarettes containing tobacco substitutes, not for medical purposes; cigarette paper; cigarette cases; cigarette filters; cigars; cigarillos; cigar cases; humidors; cigar cutters; matches; match holders; snuff boxes; herbs for smoking; tobacco; snuff.

(260) AM 2016 85103 A

(800) 1275633

(891) 2015 08 10

(731) MEGA Spielgeräte Entwicklungs- und Vertriebsgesellschaft mbH & Co. KG
Im Dachsstück 15 65549 Limburg, Germany

(540)

Wild Frog

(511)

9 – Scientific, nautical, surveying, photographic, cinematographic, optical, weighing, measuring, signalling, checking (supervision), life-saving and teaching apparatus and instruments; apparatus and instruments for conducting, switching, transforming, accumulating, regulating or controlling electricity; apparatus for recording, transmission or reproduction of sound or images; magnetic data carriers, recording discs; compact discs, DVDs and other digital recording media; cash registers, calculating machines, data processing equipment, computers; computer software; fire-extinguishing apparatus; musical jukeboxes and parts for the aforesaid automatic machines; automatic cash dispensers, automatic money counting and money changing machines; coin-operated mechanisms; computer and video games software; games software for use on any computer platform, including electronic entertainment and games consoles; computer game programs; computer games programs; video games (software); computer games provided through a global computer network or supplied by means of multi-media electronic broadcast or through telecommunications or electronic transmission or via the internet; computer games, leisure and recreational software, video games and computer software, all being provided in the form of storage media; programs for operating electric and electronic apparatus for games, amusement and/or entertainment purposes; automatic lottery machines; computer software for computer games on the internet; online games (software), in particular for online betting games, online prize games, online gambling games, online games of skill and online casino games; computer software in the form of an app for mobile devices and computers; calculating apparatus in coin-operated machines and parts for the aforesaid goods; apparatus for recording, transmission, processing or reproduction of data, including sound or images, including parts for all the aforesaid goods, except radio sets, television receivers, hi-fi systems, video recorders, telephone apparatus, fax machines

and telephone answering machines; computer hardware and software for casino and amusement arcade games, for gaming machines, slot machines or video lottery gaming machines or games of chance via the internet; electric, electronic, optical or automatic apparatus, for identifying data carriers, identity cards and credit cards, bank notes and coins; electric, electronic or optical alarm and monitoring installations, including video cameras and apparatus for image transmission and image processing; data processing apparatus and computers, including data processing apparatus and computers being components for data networks and parts facilitating data network communications; electric wiring harnesses; circuit boards, printed circuit boards (electronic components) and combinations thereof, being assemblies and parts for apparatus, included in this class.

28 – Toys; toys; gymnastic and sporting articles not included in other classes; decorations for christmas trees; gaming apparatus (including coin-operated apparatus); coin-operated arcade games (machines); games for amusement arcades (included in this class); coin-operated video gaming apparatus; video games apparatus adapted for use with external screens or monitors only; casino fittings, namely roulette tables, roulette wheels; coin-operated automatic gaming machines and gaming machines, in particular for gaming arcades, with or without a prize payout; electronic or electrotechnical gaming apparatus, automatic gaming machines, gaming machines, slot machines operated by coins, tokens, banknotes, tickets or by means of electronic, magnetic or biometric storage media, in particular for commercial use in casinos and amusement arcades, with or without a prize payout; automatic gaming machines and gaming machines, in particular for commercial use in casinos and gaming arcades, with or without a prize payout; coin-operated gaming machines and/or electronic money-based gaming apparatus (machines), with or without prizes; housings adapted for gaming machines, gaming apparatus and automatic gaming machines, operated by means of coins, tokens, tickets or by means of electronic, magnetic or biometric storage media, in particular for commercial use in casinos and gaming arcades, with or without a prize payout; electronic games; electronic game entertainment apparatus and accessories; video output game machines; drawing apparatus for prize games and lotteries, draws or raffles; housings of metal, plastic and/or wood for coin-operated automatic machines; apparatus for games (including video games), other than adapted for use with external screens or monitors only; electropneumatic and electric slot machines with pulling handles (gaming machines); gaming tables, in particular for table football, billiards, sliding games; arrows and flying discs (toys); gaming machines, namely, electric, electronic or electromechanical apparatus for bingo games,

lotteries or video lottery games and for betting offices, networked or unnetworked; LCD games consoles; automatic gaming machines; including all the aforesaid automatic gaming machines, gaming machines and apparatus operating in networks; apparatus and devices for accepting and storing money, being fittings for the aforesaid automatic machines, included in this class.

41 – Education; providing of training; entertainment; sporting and cultural activities; rental of automatic slot machines and entertainment machines for casinos; arranging and conducting games; gambling; operating of lotteries; operating games on the internet, including online and being applications for smartphones; on-line games provided via the internet; provision of entertainment and/or educational content for apps for mobile devices and computers; conducting quizzes by means of smartphone applications; providing casino facilities (gambling), betting offices; operating gaming establishments, arcades and/or online internet casinos and betting platforms; gambling services via the internet.

(260) AM 2016 85104 A

(800) 1275573

(891) 2015 08 28

(731) KUSUM PHARM LLC

54, Skriabina str., Sumy 40020, Ukraine

(540)

UKRLIV

(591) Black, white

(511)

5 – Pharmaceutical and veterinary preparations; sanitary preparations for medical purposes; dietetic food and substances adapted for medical or veterinary use, food for babies; dietary supplements for humans and animals; plasters, materials for dressings; material for stopping teeth, dental wax; disinfectants; preparations for destroying vermin; fungicides, herbicides; absorbent cotton; acaricides; acetates for pharmaceutical purposes; acids for pharmaceutical purposes; acne treatment preparations; aconitine; adhesive plasters; adhesive tapes for medical purposes; adhesives for dentures; adjuvants for medical purposes; air purifying preparations; air deodorising preparations; albumin dietary supplements; albuminous foodstuffs for medical purposes; albuminous preparations for medical purposes; alcohol for pharmaceutical purposes; aldehydes for pharmaceutical purposes; alginate dietary supplements; alginates for pharmaceutical purposes; alkaline iodides for pharmaceutical purposes; alkaloids for medical purposes; alloys of precious metals for dental purposes; aloe vera preparations for pharmaceutical purposes; aluminium acetate for pharmaceutical purposes; amino acids for medical purposes; amino acids for

veterinary purposes; anaesthetics; analgesics; angostura bark for medical purposes; animal washes; anti-rheumatism bracelets; anti-rheumatism rings; anti-uric preparations; antibiotics; anticryptogamic preparations; antioxidant pills; antiparasitic preparations; antiparasitic collars for animals; antiseptic cotton; antiseptics; appetite suppressants for medical purposes; appetite suppressant pills; articles for headache; aseptic cotton; asthmatic tea; babies' napkins [diapers]; babies' napkin-pants [diaper-pants]; bacterial poisons; bacterial preparations for medical and veterinary use; bacteriological preparations for medical and veterinary use; balms for medical purposes; balsamic preparations for medical purposes; barks for pharmaceutical purposes; bath preparations for medical purposes; bath salts for medical purposes; belts for sanitary napkins [towels]; bicarbonate of soda for pharmaceutical purposes; biocides; biological preparations for medical purposes; biological preparations for veterinary purposes; biological tissue cultures for medical purposes; biological tissue cultures for veterinary purposes; bismuth preparations for pharmaceutical purposes; bismuth subnitrate for pharmaceutical purposes; blood plasma; blood for medical purposes; bone cement for surgical and orthopaedic purposes; bracelets for medical purposes; breast-nursing pads; bromine for pharmaceutical purposes; bronchodilating preparations; bunion pads; cachets for pharmaceutical purposes; cachou for pharmaceutical purposes; preparations for callouses; calomel; camphor oil for medical purposes; camphor for medical purposes; candy, medicated; candy for medical purposes; capsules for medicines; carbolineum [parasiticide]; casein dietary supplements; castor oil for medical purposes; cattle washes; caustic pencils; caustics for pharmaceutical purposes; cedar wood for use as an insect repellent; cellulose esters for pharmaceutical purposes; cellulose ethers for pharmaceutical purposes; cement for animal hooves; charcoal for pharmaceutical purposes; chemical preparations to treat mildew; chemical preparations to treat wheat blight [smut]; chemical preparations for treating phyloxera; chemical preparations for pharmaceutical purposes; chemical preparations for medical purposes; chemical preparations for veterinary purposes; chemical reagents for medical or veterinary purposes; chemico-pharmaceutical preparations; chewing gum for medical purposes; chilblain preparations; chinoline for medical purposes; chloroform; cocaine; cod liver oil; collodion for pharmaceutical purposes; collyrium; compresses; condurango bark for medical purposes; solutions for contact lenses; contact lens cleaning preparations; cooling sprays for medical purposes; corn rings for the feet; corn remedies; cotton for medical purposes; cotton swabs for medical purposes; cream of tartar for pharmaceutical purposes; creosote for pharmaceutical purposes; croton bark; cultures of microorganisms for

medical and veterinary use; curare; decoctions for pharmaceutical purposes; dental abrasives; dental amalgams; dental cements; dental impression materials; dental lacquer; dental mastics; dental amalgams of gold; deodorants, other than for human beings or for animals; deodorants for clothing and textiles; depuratives; preparations for destroying noxious animals; preparations for destroying dry rot fungus; preparations for destroying mice; detergents for medical purposes; diabetic bread adapted for medical use; diagnostic preparations for medical purposes; diagnostic biomarker reagents for medical purposes; diagnostic preparations for veterinary purposes; diapers for pets; diastase for medical purposes; dietary fibre; dietary supplements for animals; dietetic beverages adapted for medical purposes; dietetic substances adapted for medical use; digestives for pharmaceutical purposes; digitalin; dill oil for medical purposes; disinfectants for hygiene purposes; disinfectants for chemical toilets; disinfectants; dog washes; dog lotions; douching preparations for medical purposes; dressings, medical; drugs for medical purposes; elixirs [pharmaceutical preparations]; enzyme preparations for medical purposes; enzyme preparations for veterinary purposes; enzyme dietary supplements; enzymes for medical purposes; enzymes for veterinary purposes; ergot for pharmaceutical purposes; esters for pharmaceutical purposes; ethers for pharmaceutical purposes; eucalyptol for pharmaceutical purposes; eucalyptus for pharmaceutical purposes; extracts of hops for pharmaceutical purposes; eye-washes; eyepatches for medical purposes; preparations to facilitate teething; febrifuges; fennel for medical purposes; ferments for pharmaceutical purposes; first-aid boxes, filled; fish meal for pharmaceutical purposes; flour for pharmaceutical purposes; flowers of sulfur for pharmaceutical purposes; fly catching paper; fly glue fly destroying preparations; formic aldehyde for pharmaceutical purposes; frostbite salve for pharmaceutical purposes; fumigating sticks; fumigation preparations for medical purposes; fungicides; gallic acid for pharmaceutical purposes; gamboge for medical purposes; gases for medical purposes; gauze for dressings; gelatine for medical purposes; gentian for pharmaceutical purposes; germicides; glucose for medical purposes; glucose dietary supplements; glycerine for medical purposes; glycerophosphates; greases for medical purposes; greases for veterinary purposes; guaiacol for pharmaceutical purposes; gum for medical purposes; gurjun [gurion, gurian] balsam for medical purposes; haematogen; haemoglobin; haemorrhoid preparations; haemostatic pencils; headache pencils; herbal teas for medicinal purposes; herbicides; hormones for medical purposes; hydrastine; hydrastinine; hydrated chloral for pharmaceutical purposes; hydrogen peroxide for medical purposes; insect repellents; insect repellent incense; insecticides; iodides for pharmaceutical

purposes; iodine for pharmaceutical purposes; iodoform; Irish moss for medical purposes; isotopes for medical purposes; jalap; jujube, medicated; lacteal flour for babies; larvae exterminating preparations; laxatives; lead water; lecithin for medical purposes; lecithin dietary supplements; leeches for medical purposes; preparations of lime for pharmaceutical purposes; liniments; linseed for pharmaceutical purposes; linseed meal for pharmaceutical purposes; linseed dietary supplements; linseed oil dietary supplements; lint for medical purposes; liquorice for pharmaceutical purposes; lotions for pharmaceutical purposes; lotions for veterinary purposes; lupulin for pharmaceutical purposes; magnesia for pharmaceutical purposes; malt for pharmaceutical purposes; malted milk beverages for medical purposes; mangrove bark for pharmaceutical purposes; medical preparations for slimming purposes; medicated animal feed; medicinal alcohol; medicinal mud; medicinal infusions; medicinal tea; medicinal oils; medicinal herbs; medicinal roots; medicinal drinks; medicinal hair growth preparations; medicine cases, portable, filled; medicines for alleviating constipation; medicines for dental purposes; medicines for human purposes; medicines for veterinary purposes; melissa water for pharmaceutical purposes; menstruation bandages; menthol; mercurial ointments; milk ferments for pharmaceutical purposes; milk sugar for pharmaceutical purposes; milk of almonds for pharmaceutical purposes; milking grease; mineral waters for medical purposes; mineral water salts; mineral food supplements; mint for pharmaceutical purposes; moleskin for medical purposes; mothproofing preparations; mothproofing paper; moulding wax for dentists; mouthwashes for medical purposes; mud for baths; mustard oil for medical purposes; mustard for pharmaceutical purposes; mustard plasters; myrobalan bark for pharmaceutical purposes; napkins for incontinents; narcotics; nerviness; nutritional supplements; nutritive substances for microorganisms; oil of turpentine for pharmaceutical purposes; ointments for pharmaceutical purposes; opiates; opium; opodeldoc; opotherapy preparations; oxygen baths; oxygen for medical purposes; pants, absorbent, for incontinents; panty liners [sanitary]; paper for mustard plasters; parasiticides; pastilles for pharmaceutical purposes; pearl powder for medical purposes; pectin for pharmaceutical purposes; pepsins for pharmaceutical purposes; peptones for pharmaceutical purposes; pesticides; petroleum jelly for medical purposes; pharmaceutical preparations; pharmaceutical preparations for skin care; pharmaceutical preparations for treating dandruff; phenol for pharmaceutical purposes; phosphates for pharmaceutical purposes; poisons; pollen dietary supplements; pomades for medical purposes; porcelain for dental prostheses; potassium salts for medical purposes; poultices; powder of cantharides;

by-products of the processing of cereals for dietetic or medical purposes; propolis for pharmaceutical purposes; propolis dietary supplements; protein dietary supplements; protein supplements for animals; purgatives; pyrethrum powder; quassia for medical purposes; quebracho for medical purposes; quinine for medical purposes; quinquina for medical purposes; radioactive substances for medical purposes; radiological contrast substances for medical purposes; radium for medical purposes; rat poison; reagent paper for medical or veterinary purposes; preparations for reducing sexual activity; remedies for foot perspiration; remedies for perspiration; repellents for dogs; rhubarb roots for pharmaceutical purposes; royal jelly for pharmaceutical purposes; royal jelly dietary supplements; rubber for dental purposes; salts for mineral water baths; salts for medical purposes; sanitary panties; sanitary tampons; sanitary towels; sarsaparilla for medical purposes; scapulars for surgical purposes; sea water for medicinal bathing; sedatives; semen for artificial insemination; serotherapeutic medicines; serums; personal sexual lubricants; siccatives [drying agents] for medical purposes; slimming pills; slug exterminating preparations; smelling salts; smoking herbs for medical purposes; sodium salts for medical purposes; soil-sterilising preparations; solvents for removing adhesive plasters; soporifics; starch for dietetic or pharmaceutical purposes; stem cells for medical purposes; stem cells for veterinary purposes; sterilising preparations; steroids; stick liquorice for pharmaceutical purposes; strychnine; styptic preparations; sugar for medical purposes; sulfonamides [medicines]; sulfur sticks [disinfectants]; sunburn preparations for pharmaceutical purposes; sunburn ointments; suppositories; surgical dressings; surgical implants comprised of living tissues; surgical glues; syrups for pharmaceutical purposes; tanning pills; tartar for pharmaceutical purposes; teeth filling material; therapeutic preparations for the bath; thermal water; thymol for pharmaceutical purposes; tincture of iodine; tinctures for medical purposes; tissues impregnated with pharmaceutical lotions; tobacco extracts [insecticides]; tobacco-free cigarettes for medical purposes; tonics [medicines]; preparations of trace elements for human and animal use; preparations for the treatment of burns; turpentine for pharmaceutical purposes; vaccines; vaginal washes; vermifuges; vermin destroying preparations; vesicants; veterinary preparations; vitamin preparations; vulnerary sponges; wadding for medical purposes; wart pencils; wheat germ dietary supplements; yeast for pharmaceutical purposes; yeast dietary supplements.

(260) AM 2016 85105 A

(800) 1275574

(891) 2015 08 28

(731) KUSUM PHARM LLC

54, Skriabina str. Sumy 40020, Ukraine

(540)

HYPOTEL

(511)

5 – Pharmaceutical and veterinary preparations; sanitary preparations for medical purposes; dietetic food and substances adapted for medical or veterinary use, food for babies; dietary supplements for humans and animals; plasters, materials for dressings; material for stopping teeth, dental wax; disinfectants; preparations for destroying vermin; fungicides, herbicides; absorbent cotton; acaricides; acetates for pharmaceutical purposes; acids for pharmaceutical purposes; acne treatment preparations; aconitine; adhesive plasters; adhesive tapes for medical purposes; adhesives for dentures; adjuvants for medical purposes; air purifying preparations; air deodorising preparations; albumin dietary supplements; albuminous foodstuffs for medical purposes; albuminous preparations for medical purposes; alcohol for pharmaceutical purposes; aldehydes for pharmaceutical purposes; algicides; alginate dietary supplements; alginates for pharmaceutical purposes; alkaline iodides for pharmaceutical purposes; alkaloids for medical purposes; alloys of precious metals for dental purposes; aloe vera preparations for pharmaceutical purposes; aluminium acetate for pharmaceutical purposes; amino acids for medical purposes; amino acids for veterinary purposes; anaesthetics; analgesics; angostura bark for medical purposes; animal washes; anti-rheumatism bracelets; anti-rheumatism rings; anti-uric preparations; antibiotics; anticryptogamic preparations; antioxidant pills; antiparasitic preparations; antiparasitic collars for animals; antiseptic cotton; antiseptics; appetite suppressants for medical purposes; appetite suppressant pills; articles for headache; aseptic cotton; asthmatic tea; babies' napkins [diapers]; babies' napkin-pants [diaper-pants]; bacterial poisons; bacterial preparations for medical and veterinary use; bacteriological preparations for medical and veterinary use; balms for medical purposes; balsamic preparations for medical purposes; barks for pharmaceutical purposes; bath preparations for medical purposes; bath salts for medical purposes; belts for sanitary napkins [towels]; bicarbonate of soda for pharmaceutical purposes; biocides; biological preparations for medical purposes; biological preparations for veterinary purposes; biological tissue cultures for medical purposes; biological tissue cultures for veterinary purposes; bismuth preparations for pharmaceutical purposes; bismuth subnitrate for pharmaceutical purposes; blood plasma; blood for medical purposes; bone cement for surgical and orthopaedic purposes; bracelets for medical purposes; breast-

nursing pads; bromine for pharmaceutical purposes; bronchodilating preparations; bunion pads; cachets for pharmaceutical purposes; cachou for pharmaceutical purposes; preparations for callouses; calomel; camphor oil for medical purposes; camphor for medical purposes; candy, medicated; candy for medical purposes; capsules for medicines; carbolineum [parasiticide]; casein dietary supplements; castor oil for medical purposes; cattle washes; caustic pencils; caustics for pharmaceutical purposes; cedar wood for use as an insect repellent; cellulose esters for pharmaceutical purposes; cellulose ethers for pharmaceutical purposes; cement for animal hooves; charcoal for pharmaceutical purposes; chemical preparations to treat mildew; chemical preparations to treat wheat blight [smut]; chemical preparations for treating phyloxera; chemical preparations for pharmaceutical purposes; chemical preparations for medical purposes; chemical preparations for veterinary purposes; chemical reagents for medical or veterinary purposes; chemico-pharmaceutical preparations; chewing gum for medical purposes; chilblain preparations; chinoline for medical purposes; chloroform; cocaine; cod liver oil; collodion for pharmaceutical purposes; collyrium; compresses; condurango bark for medical purposes; solutions for contact lenses; contact lens cleaning preparations; cooling sprays for medical purposes; corn rings for the feet; corn remedies; cotton for medical purposes; cotton swabs for medical purposes; cream of tartar for pharmaceutical purposes; creosote for pharmaceutical purposes; croton bark; cultures of microorganisms for medical and veterinary use; curare; decoctions for pharmaceutical purposes; dental abrasives; dental amalgams; dental cements; dental impression materials; dental lacquer; dental mastics; dental amalgams of gold; deodorants, other than for human beings or for animals; deodorants for clothing and textiles; depuratives; preparations for destroying noxious animals; preparations for destroying dry rot fungus; preparations for destroying mice; detergents for medical purposes; diabetic bread adapted for medical use; diagnostic preparations for medical purposes; diagnostic biomarker reagents for medical purposes; diagnostic preparations for veterinary purposes; diapers for pets; diastase for medical purposes; dietary fibre; dietary supplements for animals; dietetic beverages adapted for medical purposes; dietetic substances adapted for medical use; digestives for pharmaceutical purposes; digitalin; dill oil for medical purposes; disinfectants for hygiene purposes; disinfectants for chemical toilets; disinfectants; dog washes; dog lotions; douching preparations for medical purposes; dressings, medical; drugs for medical purposes; elixirs [pharmaceutical preparations]; enzyme preparations for medical purposes; enzyme preparations for veterinary purposes; enzyme dietary supplements; enzymes for medical purposes; enzymes for veterinary purposes; ergot for pharmaceu-

tical purposes; esters for pharmaceutical purposes; ethers for pharmaceutical purposes; eucalyptol for pharmaceutical purposes; eucalyptus for pharmaceutical purposes; extracts of hops for pharmaceutical purposes; eye-washes; eyepatches for medical purposes; preparations to facilitate teething; febrifuges; fennel for medical purposes; ferments for pharmaceutical purposes; first-aid boxes, filled; fish meal for pharmaceutical purposes; flour for pharmaceutical purposes; flowers of sulfur for pharmaceutical purposes; fly catching paper; fly glue fly destroying preparations; formic aldehyde for pharmaceutical purposes; frostbite salve for pharmaceutical purposes; fumigating sticks; fumigation preparations for medical purposes; fungicides; gallic acid for pharmaceutical purposes; gamboge for medical purposes; gases for medical purposes; gauze for dressings; gelatine for medical purposes; gentian for pharmaceutical purposes; germicides; glucose for medical purposes; glucose dietary supplements; glycerine for medical purposes; glycerophosphates; greases for medical purposes; greases for veterinary purposes; guaiacol for pharmaceutical purposes; gum for medical purposes; gurjun [gurion, gurian] balsam for medical purposes; haematogen; haemoglobin; haemorrhoid preparations; haemostatic pencils; headache pencils; herbal teas for medicinal purposes; herbicides; hormones for medical purposes; hydrastine; hydrastinine; hydrated chloral for pharmaceutical purposes; hydrogen peroxide for medical purposes; insect repellents; insect repellent incense; insecticides; iodides for pharmaceutical purposes; iodoform; Irish moss for medical purposes; isotopes for medical purposes; jalap; jujube, medicated; lacteal flour for babies; larvae exterminating preparations; laxatives; lead water; lecithin for medical purposes; lecithin dietary supplements; leeches for medical purposes; preparations of lime for pharmaceutical purposes; liniments; linseed for pharmaceutical purposes; linseed meal for pharmaceutical purposes; linseed dietary supplements; linseed oil dietary supplements; lint for medical purposes; liquorice for pharmaceutical purposes; lotions for pharmaceutical purposes; lotions for veterinary purposes; lupulin for pharmaceutical purposes; magnesia for pharmaceutical purposes; malt for pharmaceutical purposes; malted milk beverages for medical purposes; mangrove bark for pharmaceutical purposes; medical preparations for slimming purposes; medicated animal feed; medicinal alcohol; medicinal mud; medicinal infusions; medicinal tea; medicinal oils; medicinal herbs; medicinal roots; medicinal drinks; medicinal hair growth preparations; medicine cases, portable, filled; medicines for alleviating constipation; medicines for dental purposes; medicines for human purposes; medicines for veterinary purposes; melissa water for pharmaceutical purposes; menstruation bandages; menthol;

mercurial ointments; milk ferments for pharmaceutical purposes; milk sugar for pharmaceutical purposes; milk of almonds for pharmaceutical purposes; milking grease; mineral waters for medical purposes; mineral water salts; mineral food supplements; mint for pharmaceutical purposes; moleskin for medical purposes; mothproofing preparations; mothproofing paper; moulding wax for dentists; mouthwashes for medical purposes; mud for baths; mustard oil for medical purposes; mustard for pharmaceutical purposes; mustard plasters; myrobalan bark for pharmaceutical purposes; napkins for incontinents; narcotics; nerviness; nutritional supplements; nutritive substances for microorganisms; oil of turpentine for pharmaceutical purposes; ointments for pharmaceutical purposes; opiates; opium; opodeldoc; ophotherapy preparations; oxygen baths; oxygen for medical purposes; pants, absorbent, for incontinents; panty liners [sanitary]; paper for mustard plasters; parasiticides; pastilles for pharmaceutical purposes; pearl powder for medical purposes; pectin for pharmaceutical purposes; pepsins for pharmaceutical purposes; peptones for pharmaceutical purposes; pesticides; petroleum jelly for medical purposes; pharmaceutical preparations; pharmaceutical preparations for skin care; pharmaceutical preparations for treating dandruff; phenol for pharmaceutical purposes; phosphates for pharmaceutical purposes; poisons; pollen dietary supplements; pomades for medical purposes; porcelain for dental prostheses; potassium salts for medical purposes; poultices; powder of cantharides; by-products of the processing of cereals for dietetic or medical purposes; propolis for pharmaceutical purposes; propolis dietary supplements; protein dietary supplements; protein supplements for animals; purgatives; pyrethrum powder; quassia for medical purposes; quebracho for medical purposes; quinine for medical purposes; quinquina for medical purposes; radioactive substances for medical purposes; radiological contrast substances for medical purposes; radium for medical purposes; rat poison; reagent paper for medical or veterinary purposes; preparations for reducing sexual activity; remedies for foot perspiration; remedies for perspiration; repellents for dogs; rhubarb roots for pharmaceutical purposes; royal jelly for pharmaceutical purposes; royal jelly dietary supplements; rubber for dental purposes; salts for mineral water baths; salts for medical purposes; sanitary panties; sanitary tampons; sanitary towels; sarsaparilla for medical purposes; scapulars for surgical purposes; sea water for medicinal bathing; sedatives; semen for artificial insemination; serotherapeutic medicines; serums; personal sexual lubricants; siccatives [drying agents] for medical purposes; slimming pills; slug exterminating preparations; smelling salts; smoking herbs for medical purposes; sodium salts for medical purposes; soil-sterilising preparations; solvents for re-

moving adhesive plasters; soporifics; starch for dietetic or pharmaceutical purposes; stem cells for medical purposes; stem cells for veterinary purposes; sterilising preparations; steroids; stick liquorice for pharmaceutical purposes; strychnine; styptic preparations; sugar for medical purposes; sulfonamides [medicines]; sulfur sticks [disinfectants]; sunburn preparations for pharmaceutical purposes; sunburn ointments; suppositories; surgical dressings; surgical implants comprised of living tissues; surgical glues; syrups for pharmaceutical purposes; tanning pills; tartar for pharmaceutical purposes; teeth filling material; therapeutic preparations for the bath; thermal water; thymol for pharmaceutical purposes; tincture of iodine; tinctures for medical purposes; tissues impregnated with pharmaceutical lotions; tobacco extracts [insecticides]; tobacco-free cigarettes for medical purposes; tonics [medicines]; preparations of trace elements for human and animal use; preparations for the treatment of burns; turpentine for pharmaceutical purposes; vaccines; vaginal washes; vermifuges; vermin destroying preparations; vesicants; veterinary preparations; vitamin preparations; vulnery sponges; wadding for medical purposes; wart pencils; wheat germ dietary supplements; yeast for pharmaceutical purposes; yeast dietary supplements.

(260) AM 2016 85147 A

(800) 1275915

(891) 2015 10 12

(731) KUSUM PHARM LLC

54, Skriabina str., Sumy 40020, Ukraine

(540)

PARAVARIN

(511)

5 – Pharmaceutical and veterinary preparations; sanitary preparations for medical purposes; dietetic food and substances adapted for medical or veterinary use, food for babies; dietary supplements for humans and animals; plasters, materials for dressings; material for stopping teeth, dental wax; disinfectants; preparations for destroying vermin; fungicides, herbicides; absorbent cotton; acaricides; acetates for pharmaceutical purposes; acids for pharmaceutical purposes; acne treatment preparations; aconitine; adhesive plasters; adhesive tapes for medical purposes; adhesives for dentures; adjuvants for medical purposes; air purifying preparations; air deodorising preparations; albumin dietary supplements; albuminous foodstuffs for medical purposes; albuminous preparations for medical purposes; alcohol for pharmaceutical purposes; aldehydes for pharmaceutical purposes; algicides; alginate dietary supplements; alginates for pharmaceutical purposes; alkaline iodides for pharmaceutical purposes; alkaloids for medical purposes; alloys of precious metals for dental purposes; aloe vera preparations for pharmaceutical purposes;

aluminium acetate for pharmaceutical purposes; amino acids for medical purposes; amino acids for veterinary purposes; anaesthetics; analgesics; angostura bark for medical purposes; animal washes; anti-rheumatism bracelets; anti-rheumatism rings; anti-uric preparations; antibiotics; anticryptogamic preparations; antioxidant pills; antiparasitic preparations; antiparasitic collars for animals; antiseptic cotton; antiseptics; appetite suppressants for medical purposes; appetite suppressant pills; articles for headache; aseptic cotton; asthmatic tea; babies' napkins [diapers]; babies' napkin-pants [diaper-pants]; bacterial poisons; bacterial preparations for medical and veterinary use; bacteriological preparations for medical and veterinary use; balms for medical purposes; balsamic preparations for medical purposes; barks for pharmaceutical purposes; bath preparations for medical purposes; bath salts for medical purposes; belts for sanitary napkins [towels]; bicarbonate of soda for pharmaceutical purposes; biocides; biological preparations for medical purposes; biological preparations for veterinary purposes; biological tissue cultures for medical purposes; biological tissue cultures for veterinary purposes; bismuth preparations for pharmaceutical purposes; bismuth subnitrate for pharmaceutical purposes; blood plasma; blood for medical purposes; bone cement for surgical and orthopaedic purposes; bracelets for medical purposes; breast-nursing pads; bromine for pharmaceutical purposes; bronchodilating preparations; bunion pads; cachets for pharmaceutical purposes; cachou for pharmaceutical purposes; preparations for callosities; calomel; camphor oil for medical purposes; camphor for medical purposes; candy, medicated; candy for medical purposes; capsules for medicines; carbolineum [parasiticide]; casein dietary supplements; castor oil for medical purposes; cattle washes; caustic pencils; caustics for pharmaceutical purposes; cedar wood for use as an insect repellent; cellulose esters for pharmaceutical purposes; cellulose ethers for pharmaceutical purposes; cement for animal hooves; charcoal for pharmaceutical purposes; chemical preparations to treat mildew; chemical preparations to treat wheat blight [smut]; chemical preparations for treating phyloxera; chemical preparations for pharmaceutical purposes; chemical preparations for medical purposes; chemical preparations for veterinary purposes; chemical reagents for medical or veterinary purposes; chemico-pharmaceutical preparations; chewing gum for medical purposes; chilblain preparations; chinoline for medical purposes; chloroform; cocaine; cod liver oil; collodion for pharmaceutical purposes; collyrium; compresses; condurango bark for medical purposes; solutions for contact lenses; contact lens cleaning preparations; cooling sprays for medical purposes; corn rings for the feet; corn remedies; cotton for medical purposes; cotton swabs for medical purposes; cream of tartar

for pharmaceutical purposes; creosote for pharmaceutical purposes; croton bark; cultures of microorganisms for medical and veterinary use; curare; decoctions for pharmaceutical purposes; dental abrasives; dental amalgams; dental cements; dental impression materials; dental lacquer; dental mastics; dental amalgams of gold; deodorants, other than for human beings or for animals; deodorants for clothing and textiles; depuratives; preparations for destroying dry rot fungus; preparations for destroying mice; detergents for medical purposes; diabetic bread adapted for medical use; diagnostic preparations for medical purposes; diagnostic biomarker reagents for medical purposes; diagnostic preparations for veterinary purposes; diapers for pets; diastase for medical purposes; dietary fibre; dietary supplements for animals; dietetic beverages adapted for medical purposes; dietetic substances adapted for medical use; digestives for pharmaceutical purposes; digitalin; dill oil for medical purposes; disinfectants for hygiene purposes; disinfectants for chemical toilets; disinfectants; dog washes; dog lotions; douching preparations for medical purposes; dressings, medical; drugs for medical purposes; elixirs [pharmaceutical preparations]; enzyme preparations for medical purposes; enzyme preparations for veterinary purposes; enzyme dietary supplements; enzymes for medical purposes; enzymes for veterinary purposes; ergot for pharmaceutical purposes; esters for pharmaceutical purposes; ethers for pharmaceutical purposes; eucalyptol for pharmaceutical purposes; extracts of hops for pharmaceutical purposes; eye-washes; eyepatches for medical purposes; preparations to facilitate teething; febrifuges; fennel for medical purposes; ferments for pharmaceutical purposes; first-aid boxes, filled; fish meal for pharmaceutical purposes; flour for pharmaceutical purposes; flowers of sulfur for pharmaceutical purposes; fly catching paper; fly glue fly destroying preparations; formic aldehyde for pharmaceutical purposes; frostbite salve for pharmaceutical purposes; fumigating sticks; fumigation preparations for medical purposes; fungicides; gallic acid for pharmaceutical purposes; gamboge for medical purposes; gases for medical purposes; gauze for dressings; gelatine for medical purposes; gentian for pharmaceutical purposes; germicides; glucose for medical purposes; glucose dietary supplements; glycerine for medical purposes; glycerophosphates; greases for medical purposes; greases for veterinary purposes; guaiacol for pharmaceutical purposes; gum for medical purposes; gurjun [gurjon, gurjan] balsam for medical purposes; haematogen; haemoglobin; haemorrhoid preparations; haemostatic pencils; headache pencils; herbal teas for medicinal purposes; herbicides; hormones for medical purposes; hydrastine; hydrastinine; hydrated chloral for pharmaceutical

purposes; hydrogen peroxide for medical purposes; insect repellents; insect repellent incense; insecticides; iodides for pharmaceutical purposes; iodine for pharmaceutical purposes; iodoform; Irish moss for medical purposes; isotopes for medical purposes; jalap; jujube, medicated; lacteal flour for babies; larvae exterminating preparations; laxatives; lead water; lecithin for medical purposes; lecithin dietary supplements; leeches for medical purposes; preparations of lime for pharmaceutical purposes; liniments; linseed for pharmaceutical purposes; linseed meal for pharmaceutical purposes; linseed dietary supplements; linseed oil dietary supplements; lint for medical purposes; liquorice for pharmaceutical purposes; lotions for pharmaceutical purposes; lotions for veterinary purposes; lupulin for pharmaceutical purposes; magnesia for pharmaceutical purposes; malt for pharmaceutical purposes; malted milk beverages for medical purposes; mangrove bark for pharmaceutical purposes; medical preparations for slimming purposes; medicated animal feed; medicinal alcohol; medicinal mud; medicinal infusions; medicinal tea; medicinal oils; medicinal herbs; medicinal roots; medicinal drinks; medicinal hair growth preparations; medicine cases, portable, filled; medicines for alleviating constipation; medicines for dental purposes; medicines for human purposes; medicines for veterinary purposes; melissa water for pharmaceutical purposes; menstruation bandages; menthol; mercurial ointments; milk ferments for pharmaceutical purposes; milk sugar for pharmaceutical purposes; milking grease; mineral waters for medical purposes; mineral water salts; mineral food supplements; mint for pharmaceutical purposes; moleskin for medical purposes; mothproofing preparations; mothproofing paper; moulding wax for dentists; mouthwashes for medical purposes; mud for baths; mustard oil for medical purposes; mustard for pharmaceutical purposes; mustard plasters; myrobalan bark for pharmaceutical purposes; napkins for incontinents; narcotics; nerviness; nutritional supplements; nutritive substances for microorganisms; oil of turpentine for pharmaceutical purposes; ointments for pharmaceutical purposes; opiates; opium; opodeldoc; ophoterapy preparations; oxygen baths; oxygen for medical purposes; pants, absorbent, for incontinents; panty liners [sanitary]; paper for mustard plasters; parasiticides; pastilles for pharmaceutical purposes; pearl powder for medical purposes; pectin for pharmaceutical purposes; pepsins for pharmaceutical purposes; peptones for pharmaceutical purposes; pesticides; petroleum jelly for medical purposes; pharmaceutical preparations; pharmaceutical preparations for skin care; pharmaceutical preparations for treating dandruff; phenol for pharmaceutical purposes; phosphates for pharmaceutical purposes; poisons; pollen dietary supplements; pomades for medical purposes;

porcelain for dental prostheses; potassium salts for medical purposes; poultices; powder of cantharides; by-products of the processing of cereals for dietetic or medical purposes; propolis for pharmaceutical purposes; propolis dietary supplements; protein dietary supplements; protein supplements for animals; purgatives; pyrethrum powder; quassia for medical purposes; quebracho for medical purposes; quinine for medical purposes; quinquina for medical purposes; radioactive substances for medical purposes; radiological contrast substances for medical purposes; radium for medical purposes; rat poison; reagent paper for medical or veterinary purposes; preparations for reducing sexual activity; remedies for foot perspiration; remedies for perspiration; repellents for dogs; rhubarb roots for pharmaceutical purposes; royal jelly for pharmaceutical purposes; royal jelly dietary supplements; rubber for dental purposes; salts for mineral water baths; salts for medical purposes; sanitary panties; sanitary tampons; sanitary towels; sarsaparilla for medical purposes; scapulars for surgical purposes; sea water for medicinal bathing; sedatives; semen for artificial insemination; serotherapeutic medicines; serums; personal sexual lubricants; siccatives [drying agents] for medical purposes; slimming pills; slug exterminating preparations; smelling salts; smoking herbs for medical purposes; sodium salts for medical purposes; soil-sterilising preparations; solvents for removing adhesive plasters; soporifics; starch for dietetic or pharmaceutical purposes; stem cells for medical purposes; stem cells for veterinary purposes; sterilising preparations; steroids; stick liquorice for pharmaceutical purposes; strychnine; styptic preparations; sugar for medical purposes; sulfonamides [medicines]; sulfur sticks [disinfectants]; sunburn preparations for pharmaceutical purposes; sunburn ointments; suppositories; surgical dressings; surgical implants comprised of living tissues; surgical glues; syrups for pharmaceutical purposes; tanning pills; tartar for pharmaceutical purposes; teeth filling material; therapeutic preparations for the bath; thermal water; thymol for pharmaceutical purposes; tincture of iodine; tinctures for medical purposes; tissues impregnated with pharmaceutical lotions; tobacco extracts [insecticides]; tobacco-free cigarettes for medical purposes; tonics [medicines]; preparations of trace elements for human and animal use; preparations for the treatment of burns; turpentine for pharmaceutical purposes; vaccines; vaginal washes; vermifuges; vermin destroying preparations; vesicants; veterinary preparations; vitamin preparations; vulnerary sponges; wadding for medical purposes; wart pencils; wheat germ dietary supplements; yeast for pharmaceutical purposes; yeast dietary supplements.

(260) AM 2016 85200 A
 (800) 1276831
 (891) 2015 09 18
 (731) DEVA HOLDİNG AŞ
 Halkali Merkez mah. Basın, Ekspres cad.
 No:1, Küçükçekmece/İstanbul, Turkey
 (540)

SILVERDİN

(591) Black, white
 (511)
 5 – Pharmaceutical and veterinary preparations.

(260) AM 2016 85201 A
 (800) 1276444
 (891) 2015 08 25
 (731) ROTTAPHARM S.P.A.
 Galleria Unione 5, I-20122 MILANO, Italy
 (540)

IALUMAR

(511)
 5 – Pharmaceutical and veterinary preparations; sanitary preparations for medical purposes; dietetic substances adapted for medical or veterinary use; food for babies; medical and surgical plasters; materials for dressings; material for stopping teeth; dental wax; disinfectants; preparations for destroying vermin; fungicides; herbicides.

10 – Surgical, medical, dental and veterinary apparatus and instruments; artificial limbs, eyes and teeth; orthopedic articles; suture materials.

(260) AM 2016 85202 A
 (800) 1276885
 (891) 2015 10 12
 (731) KUSUM PHARM LLC
 54, Skriabina str., Sumy 40020, Ukraine
 (540)

ВОКСИД
VOXID

(591) Black, white
 (511)
 5 – Pharmaceutical and veterinary preparations; sanitary preparations for medical purposes; dietetic food and substances adapted for medical or veterinary use, food for babies; dietary supplements for humans and animals; plasters, materials for dressings; material for stopping teeth, dental wax; disinfectants; preparations for destroying vermin; fungicides, herbicides; absorbent cotton; acaricides; acetates for pharmaceutical purposes; acids for pharmaceutical purposes; acne treatment preparations; aconitine; adhesive plasters; adhesive tapes for medical purposes; adhesives for dentures; adjuvants for medical purposes; air purifying preparations; air deodorising pre-

parations; albumin dietary supplements; albuminous foodstuffs for medical purposes; albuminous preparations for medical purposes; alcohol for pharmaceutical purposes; aldehydes for pharmaceutical purposes; algicides; alginate dietary supplements; alginates for pharmaceutical purposes; alkaline iodides for pharmaceutical purposes; alkaloids for medical purposes; alloys of precious metals for dental purposes; aloe vera preparations for pharmaceutical purposes; aluminium acetate for pharmaceutical purposes; amino acids for medical purposes; amino acids for veterinary purposes; anaesthetics; analgesics; angostura bark for medical purposes; animal washes; anti-rheumatism bracelets; anti-rheumatism rings; anti-uric preparations; antibiotics; anticryptogamic preparations; antioxidant pills; antiparasitic preparations; antiparasitic collars for animals; antiseptic cotton; antiseptics; appetite suppressants for medical purposes; appetite suppressant pills; articles for headache; aseptic cotton; asthmatic tea; babies' napkins [diapers]; babies' napkin-pants [diaper-pants]; bacterial poisons; bacterial preparations for medical and veterinary use; bacteriological preparations for medical and veterinary use; balms for medical purposes; balsamic preparations for medical purposes; barks for pharmaceutical purposes; bath preparations for medical purposes; bath salts for medical purposes; belts for sanitary napkins [towels]; bicarbonate of soda for pharmaceutical purposes; biocides; biological preparations for veterinary purposes; biological tissue cultures for medical purposes; biological tissue cultures for veterinary purposes; bismuth preparations for pharmaceutical purposes; bismuth subnitrate for pharmaceutical purposes; blood plasma; blood for medical purposes; bone cement for surgical and orthopaedic purposes; bracelets for medical purposes; breast-nursing pads; bromine for pharmaceutical purposes; bronchodilating preparations; bunion pads; cachets for pharmaceutical purposes; cachou for pharmaceutical purposes; preparations for callouses; calomel; camphor oil for medical purposes; camphor for medical purposes; candy, medicated; candy for medical purposes; capsules for medicines; carbolineum [parasiticide]; casein dietary supplements; castor oil for medical purposes; cattle washes; caustic pencils; caustics for pharmaceutical purposes; cedar wood for use as an insect repellent; cellulose esters for pharmaceutical purposes; cellulose ethers for pharmaceutical purposes; cement for animal hooves; charcoal for pharmaceutical purposes; chemical preparations to treat mildew; chemical preparations to treat wheat blight [smut]; chemical preparations for treating phyloxera; chemical preparations for pharmaceutical purposes; chemical preparations for medical purposes; chemical preparations for veterinary purposes; chemical reagents for medical or veterinary purposes; chemico-pharmaceutical preparations; che-

wing gum for medical purposes; chilblain preparations; chinoline for medical purposes; chloroform; cocaine; cod liver oil; collodion for pharmaceutical purposes; collyrium; compresses; condurango bark for medical purposes; solutions for contact lenses; contact lens cleaning preparations; cooling sprays for medical purposes; corn rings for the feet; corn remedies; cotton for medical purposes; cotton swabs for medical purposes; creosote for pharmaceutical purposes; croton bark; cultures of microorganisms for medical and veterinary use; curare; decoctions for pharmaceutical purposes; dental abrasives; dental amalgams; dental cements; dental impression materials; dental lacquer; dental mastics; dental amalgams of gold; deodorants, other than for human beings or for animals; deodorants for clothing and textiles; depuratives; preparations for destroying noxious animals; preparations for destroying dry rot fungus; preparations for destroying mice; detergents for medical purposes; diabetic bread adapted for medical use; diagnostic preparations for medical purposes; diagnostic biomarker reagents for medical purposes; diagnostic preparations for veterinary purposes; diapers for pets; diastase for medical purposes; dietary fibre; dietary supplements for animals; dietetic beverages adapted for medical purposes; dietetic substances adapted for medical use; digestives for pharmaceutical purposes; digitalin; dill oil for medical purposes; disinfectants for hygiene purposes; disinfectants for chemical toilets; disinfectants; dog washes; dog lotions; douching preparations for medical purposes; dressings, medical; drugs for medical purposes; elixirs [pharmaceutical preparations]; enzyme preparations for medical purposes; enzyme preparations for veterinary purposes; enzyme dietary supplements; enzymes for medical purposes; enzymes for veterinary purposes; ergot for pharmaceutical purposes; esters for pharmaceutical purposes; ethers for pharmaceutical purposes; eucalyptol for pharmaceutical purposes; eucalyptus for pharmaceutical purposes; extracts of hops for pharmaceutical purposes; eye-washes; eyepatches for medical purposes; preparations to facilitate teething; febrifuges; fennel for medical purposes; ferments for pharmaceutical purposes; first-aid boxes, filled; fish meal for pharmaceutical purposes; flour for pharmaceutical purposes; flowers of sulfur for pharmaceutical purposes; fly catching paper; fly glue fly destroying preparations; formic aldehyde for pharmaceutical purposes; frost-bite salve for pharmaceutical purposes; fumigating sticks; fumigation preparations for medical purposes; fungicides; gallic acid for pharmaceutical purposes; gamboge for medical purposes; gases for medical purposes; gauze for dressings; gelatine for medical purposes; gentian for pharmaceutical purposes; germicides; glucose for medical purposes; glucose dietary supplements; glycerine for medical purposes; glycerophosphates; greases for medical

purposes; greases for veterinary purposes; guaiacol for pharmaceutical purposes; gum for medical purposes; guqun [guijon, gurjan] balsam for medical purposes; haematogen; haemoglobin; haemorrhoid preparations; haemostatic pencils; headache pencils; herbal teas for medicinal purposes; herbicides; hormones for medical purposes; hydrastine; hydrastinine; hydrated chloral for pharmaceutical purposes; hydrogen peroxide for medical purposes; insect repellents; insect repellent incense; insecticides; iodides for pharmaceutical purposes; iodine for pharmaceutical purposes; iodoform; irish moss for medical purposes; isotopes for medical purposes; jalap; jujube, medicated; lacteal flour for babies; larvae exterminating preparations; laxatives; lead water; lecithin for medical purposes; lecithin dietary supplements; leeches for medical purposes; preparations of lime for pharmaceutical purposes; liniments; linseed for pharmaceutical purposes; linseed meal for pharmaceutical purposes; linseed dietary supplements; linseed oil dietary supplements; lint for medical purposes; liquorice for pharmaceutical purposes; lotions for pharmaceutical purposes; lotions for veterinary purposes; lupulin for pharmaceutical purposes; magnesia for pharmaceutical purposes; malt for pharmaceutical purposes; malted milk beverages for medical purposes; mangrove bark for pharmaceutical purposes; medical preparations for slimming purposes; medicated animal feed; medicinal alcohol; medicinal mud; medicinal infusions; medicinal tea; medicinal oils; medicinal herbs; medicinal roots; medicinal drinks; medicinal hair growth preparations; medicine cases, portable, filled; medicines for alleviating constipation; medicines for dental purposes; medicines for human purposes; medicines for veterinary purposes; melissa water for pharmaceutical purposes; menstruation bandages; menthol; mercurial ointments; milk ferments for pharmaceutical purposes; milk sugar for pharmaceutical purposes; milk of almonds for pharmaceutical purposes; milking grease; mineral waters for medical purposes; mineral water salts; mineral food supplements; mint for pharmaceutical purposes; moleskin for medical purposes; mothproofing preparations; mothproofing paper; moulding wax for dentists; mouthwashes for medical purposes; mud for baths; mustard oil for medical purposes; mustard for pharmaceutical purposes; mustard plasters; myrobalan bark for pharmaceutical purposes; napkins for incontinents; narcotics; nerviness; nutritional supplements; nutritive substances for microorganisms; oil of turpentine for pharmaceutical purposes; ointments for pharmaceutical purposes; opiates; opium; opodoc; ophotherapy preparations; oxygen baths; oxygen for medical purposes; pants, absorbent, for incontinents; panty liners [sanitary]; paper for mustard plasters; parasiticides; pastilles for pharmaceutical purposes; pearl powder for medical

purposes; pectin for pharmaceutical purposes; pepsins for pharmaceutical purposes; peptones for pharmaceutical purposes; pesticides; petroleum jelly for medical purposes; pharmaceutical preparations; pharmaceutical preparations for skin care; pharmaceutical preparations for treating dandruff; phenol for pharmaceutical purposes; phosphates for pharmaceutical purposes; poisons; pollen dietary supplements; pomades for medical purposes; porcelain for dental prostheses; potassium salts for medical purposes; poultices; powder of cantharides; by-products of the processing of cereals for dietetic or medical purposes; propolis for pharmaceutical purposes; propolis dietary supplements; protein dietary supplements; protein supplements for animals; purgatives; pyrethrum powder; quassia for medical purposes; quebracho for medical purposes; quinine for medical purposes; quinquina for medical purposes; radioactive substances for medical purposes; radiological contrast substances for medical purposes; radium for medical purposes; rat poison; reagent paper for medical or veterinary purposes; preparations for reducing sexual activity; remedies for foot perspiration; remedies for perspiration; repellents for dogs; rhubarb roots for pharmaceutical purposes; royal jelly for pharmaceutical purposes; royal jelly dietary supplements; rubber for dental purposes; salts for mineral water baths; salts for medical purposes; sanitary panties; sanitary tampons; sanitary towels; sarsaparilla for medical purposes; scapulars for surgical purposes; sea water for medicinal bathing; sedatives; semen for artificial insemination; serotherapeutic medicines; serums; personal sexual lubricants; siccatives [drying agents] for medical purposes; slimming pills; slug exterminating preparations; smelling salts; smoking herbs for medical purposes; sodium salts for medical purposes; soil-sterilising preparations; solvents for removing adhesive plasters; soporifics; starch for dietetic or pharmaceutical purposes; stem cells for medical purposes; stem cells for veterinary purposes; sterilising preparations; steroids; stick liquorice for pharmaceutical purposes; strychnine; styptic preparations; sugar for medical purposes; sulfonamides [medicines]; sulfur sticks [disinfectants]; sunburn preparations for pharmaceutical purposes; sunburn ointments; suppositories; surgical dressings; surgical implants comprised of living tissues; surgical glues; syrups for pharmaceutical purposes; tanning pills; tartar for pharmaceutical purposes; teeth filling material; therapeutic preparations for the bath; thermal water; thymol for pharmaceutical purposes; tincture of iodine; tinctures for medical purposes; tissues impregnated with pharmaceutical lotions; tobacco extracts [insecticides]; tobacco-free cigarettes for medical purposes; tonics [medicines]; preparations of trace elements for human and animal use; preparations for the treatment of bums; turpentine for pharmaceutical purposes; vaccines; vaginal washes; vermifuges;

vermin destroying preparations; vesicants; veterinary preparations; vitamin preparations; vulnerary sponges; wadding for medical purposes; wart pencils; wheat germ dietary supplements; yeast for pharmaceutical purposes; yeast dietary supplements.

(260) AM 2016 85204 A

(800) 1276473

(891) 2015 10 12

(731) St. Jakobsbellerei Schuler & Cie AG Schwyz
ehemals Johann Jakob Castell & Cie
Franzosenstrasse 14 CH-6423 Seewen SZ,
Switzerland

(540)

NOA

(511)

33 – Red wine.

(260) AM 2016 85205 A

(800) 1276518

(891) 2015 10 12

(731) KUSUM PHARM LLC
54, Skriabina str. Sumy 40020, Ukraine

(540)

MONDEX

(511)

5 – Pharmaceutical and veterinary preparations; sanitary preparations for medical purposes; dietetic food and substances adapted for medical or veterinary use, food for babies; dietary supplements for humans and animals; plasters, materials for dressings; material for stopping teeth, dental wax; disinfectants; preparations for destroying vermin; fungicides, herbicides; absorbent cotton; acaricides; acetates for pharmaceutical purposes; acids for pharmaceutical purposes; acne treatment preparations; aconitine; adhesive plasters; adhesive tapes for medical purposes; adhesives for dentures; adjuvants for medical purposes; air purifying preparations; air deodorising preparations; albumin dietary supplements; albuminous foodstuffs for medical purposes; albuminous preparations for medical purposes; alcohol for pharmaceutical purposes; aldehydes for pharmaceutical purposes; algicides; alginate dietary supplements; alginates for pharmaceutical purposes; alkaline iodides for pharmaceutical purposes; alkaloids for medical purposes; alloys of precious metals for dental purposes; aloe vera preparations for pharmaceutical purposes; aluminium acetate for pharmaceutical purposes; amino acids for medical purposes; amino acids for veterinary purposes; anaesthetics; analgesics; angostura bark for medical purposes; animal washes; anti-rheumatism bracelets; anti-rheumatism rings; anti-uric preparations; antibiotics; anticryptogamic preparations; antioxidant pills; antiparasitic preparations; antiparasitic collars for animals;

antiseptic cotton; antiseptics; appetite suppressants for medical purposes; appetite suppressant pills; articles for headache; aseptic cotton; asthmatic tea; babies' napkins [diapers]; babies' napkin-pants [diaper-pants]; bacterial poisons; bacterial preparations for medical and veterinary use; bacteriological preparations for medical and veterinary use; balms for medical purposes; balsamic preparations for medical purposes; barks for pharmaceutical purposes; bath preparations for medical purposes; bath salts for medical purposes; belts for sanitary napkins [towels]; bicarbonate of soda for pharmaceutical purposes; biocides; biological preparations for medical purposes; biological preparations for veterinary purposes; biological tissue cultures for medical purposes; biological tissue cultures for veterinary purposes; bismuth preparations for pharmaceutical purposes; bismuth subnitrate for pharmaceutical purposes; blood plasma; blood for medical purposes; bone cement for surgical and orthopaedic purposes; bracelets for medical purposes; breast-nursing pads; bromine for pharmaceutical purposes; bronchodilating preparations; bunion pads; cachets for pharmaceutical purposes; cachou for pharmaceutical purposes; preparations for callouses; calomel; camphor oil for medical purposes; camphor for medical purposes; candy, medicated; candy for medical purposes; capsules for medicines; carbolineum [parasiticide]; casein dietary supplements; castor oil for medical purposes; cattle washes; caustic pencils; caustics for pharmaceutical purposes; cedar wood for use as an insect repellent; cellulose esters for pharmaceutical purposes; cellulose ethers for pharmaceutical purposes; cement for animal hooves; charcoal for pharmaceutical purposes; chemical preparations to treat mildew; chemical preparations to treat wheat blight [smut]; chemical preparations for treating phylloxera; chemical preparations for pharmaceutical purposes; chemical preparations for veterinary purposes; chemical reagents for medical or veterinary purposes; chemico-pharmaceutical preparations; chewing gum for medical purposes; chilblain preparations; chinoline for medical purposes; chloroform; cocaine; cod liver oil; colloid for pharmaceutical purposes; collyrium; compresses; condurango bark for medical purposes; solutions for contact lenses; contact lens cleaning preparations; cooling sprays for medical purposes; corn rings for the feet; corn remedies; cotton for medical purposes; cotton swabs for medical purposes; cream of tartar for pharmaceutical purposes; creosote for pharmaceutical purposes; croton bark; cultures of microorganisms for medical and veterinary use; curare; decoctions for pharmaceutical purposes; dental abrasives; dental amalgams; dental cements; dental impression materials; dental lacquer; dental mastics; dental amalgams of gold; deodorants, other than for human beings or for animals; deodorants for clothing and textiles; depuratives; preparations for destroying noxious animals; preparations for destroying dry rot fungus; preparations for destroying mice; de-

tergents for medical purposes; diabetic bread adapted for medical use; diagnostic preparations for medical purposes; diagnostic biomarker reagents for medical purposes; diagnostic preparations for veterinary purposes; diapers for pets; diastase for medical purposes; dietary fibre; dietary supplements for animals; dietetic beverages adapted for medical purposes; dietetic substances adapted for medical use; digestives for pharmaceutical purposes; digitalin; dill oil for medical purposes; disinfectants for hygiene purposes; disinfectants for chemical toilets; disinfectants; dog washes; dog lotions; douching preparations for medical purposes; dressings, medical; drugs for medical purposes; elixirs [pharmaceutical preparations]; enzyme preparations for medical purposes; enzyme preparations for veterinary purposes; enzyme dietary supplements; enzymes for medical purposes; enzymes for veterinary purposes; ergot for pharmaceutical purposes; esters for pharmaceutical purposes; ethers for pharmaceutical purposes; eucalyptol for pharmaceutical purposes; eucalyptus for pharmaceutical purposes; extracts of hops for pharmaceutical purposes; eye-washes; eyepatches for medical purposes; preparations to facilitate teething; febrifuges; fennel for medical purposes; ferments for pharmaceutical purposes; first-aid boxes, filled; fish meal for pharmaceutical purposes; flour for pharmaceutical purposes; flowers of sulfur for pharmaceutical purposes; fly catching paper; fly glue fly destroying preparations; formic aldehyde for pharmaceutical purposes; frostbite salve for pharmaceutical purposes; fumigating sticks; fumigation preparations for medical purposes; fungicides; gallic acid for pharmaceutical purposes; gamboge for medical purposes; gases for medical purposes; gauze for dressings; gelatine for medical purposes; gentian for pharmaceutical purposes; germicides; glucose for medical purposes; glucose dietary supplements; glycerine for medical purposes; glycerophosphates; greases for medical purposes; greases for veterinary purposes; guaiacol for pharmaceutical purposes; gum for medical purposes; gurjun [gurjon, gurjan] balsam for medical purposes; haematogen; haemoglobin; haemorrhoid preparations; haemostatic pencils; headache pencils; herbal teas for medicinal purposes; herbicides; hormones for medical purposes; hydrastine; hydrastinine; hydrated chloral for pharmaceutical purposes; hydrogen peroxide for medical purposes; insect repellents; insect repellent incense; insecticides; iodides for pharmaceutical purposes; iodine for pharmaceutical purposes; iodoform; Irish moss for medical purposes; isotopes for medical purposes; jalap; jujube, medicated; lacteal flour for babies; larvae exterminating preparations; laxatives; lead water; lecithin for medical purposes; lecithin dietary supplements; leeches for medical purposes; preparations of lime for pharmaceutical purposes; liniments; linseed for pharmaceutical purposes; linseed meal for pharmaceutical purposes; linseed dietary supplements; linseed oil dietary supplements; lint for medical purposes; liquorice for pharmaceutical purposes; lotions for pharmaceutical purposes;

lotions for veterinary purposes; lupulin for pharmaceutical purposes; magnesia for pharmaceutical purposes; malt for pharmaceutical purposes; malted milk beverages for medical purposes; mangrove bark for pharmaceutical purposes; medical preparations for slimming purposes; medicated animal feed; medicinal alcohol; medicinal mud; medicinal infusions; medicinal tea; medicinal oils; medicinal herbs; medicinal roots; medicinal drinks; medicinal hair growth preparations; medicine cases, portable, filled; medicines for alleviating constipation; medicines for dental purposes; medicines for human purposes; medicines for veterinary purposes; melissa water for pharmaceutical purposes; menstruation bandages; menthol; mercurial ointments; milk ferments for pharmaceutical purposes; milk sugar for pharmaceutical purposes; milk of almonds for pharmaceutical purposes; milking grease; mineral waters for medical purposes; mineral water salts; mineral food supplements; mint for pharmaceutical purposes; moleskin for medical purposes; mothproofing preparations; mothproofing paper; moulding wax for dentists; mouthwashes for medical purposes; mud for baths; mustard oil for medical purposes; mustard for pharmaceutical purposes; mustard plasters; myrobalan bark for pharmaceutical purposes; napkins for incontinents; narcotics; nerviness; nutritional supplements; nutritive substances for microorganisms; oil of turpentine for pharmaceutical purposes; ointments for pharmaceutical purposes; opiates; opium; opodeldoc; ophotherapy preparations; oxygen baths; oxygen for medical purposes; pants, absorbent, for incontinents; panty liners [sanitary]; paper for mustard plasters; parasiticides; pastilles for pharmaceutical purposes; pearl powder for medical purposes; pectin for pharmaceutical purposes; pepsins for pharmaceutical purposes; peptones for pharmaceutical purposes; pesticides; petroleum jelly for medical purposes; pharmaceutical preparations; pharmaceutical preparations for skin care; pharmaceutical preparations for treating dandruff; phenol for pharmaceutical purposes; phosphates for pharmaceutical purposes; poisons; pollen dietary supplements; pomades for medical purposes; porcelain for dental prostheses; potassium salts for medical purposes; poultices; powder of cantharides; by-products of the processing of cereals for dietetic or medical purposes; propolis for pharmaceutical purposes; propolis dietary supplements; protein dietary supplements; protein supplements for animals; purgatives; pyrethrum powder; quassia for medical purposes; quebracho for medical purposes; quinine for medical purposes; quinquina for medical purposes; radioactive substances for medical purposes; radiological contrast substances for medical purposes; radium for medical purposes; rat poison; reagent paper for medical or veterinary purposes; preparations for reducing sexual activity; remedies for foot perspiration; remedies for perspiration; repellents for dogs; rhubarb roots for pharmaceutical purposes; royal jelly for pharmaceutical

purposes; royal jelly dietary supplements; rubber for dental purposes; salts for mineral water baths; salts for medical purposes; sanitary panties; sanitary tampons; sanitary towels; sarsaparilla for medical purposes; scapulars for surgical purposes; sea water for medicinal bathing; sedatives; semen for artificial insemination; serotherapeutic medicines; serums; personal sexual lubricants; siccatives [drying agents] for medical purposes; slimming pills; slug exterminating preparations; smelling salts; smoking herbs for medical purposes; sodium salts for medical purposes; soil-sterilising preparations; solvents for removing adhesive plasters; soporifics; starch for dietetic or pharmaceutical purposes; stem cells for medical purposes; stem cells for veterinary purposes; sterilising preparations; steroids; stick liquorice for pharmaceutical purposes; strychnine; styptic preparations; sugar for medical purposes; sulfonamides [medicines]; sulfur sticks [disinfectants]; sunburn preparations for pharmaceutical purposes; sunburn ointments; suppositories; surgical dressings; surgical implants comprised of living tissues; surgical glues; syrups for pharmaceutical purposes; tanning pills; tartar for pharmaceutical purposes; teeth filling material; therapeutic preparations for the bath; thermal water; thymol for pharmaceutical purposes; tincture of iodine; tinctures for medical purposes; tissues impregnated with pharmaceutical lotions; tobacco extracts [insecticides]; tobacco-free cigarettes for medical purposes; tonics [medicines]; preparations of trace elements for human and animal use; preparations for the treatment of burns; turpentine for pharmaceutical purposes; vaccines; vaginal washes; vermifuges; vermin destroying preparations; vesicants; veterinary preparations; vitamin preparations; vulnery sponges; wadding for medical purposes; wart pencils; wheat germ dietary supplements; yeast for pharmaceutical purposes; yeast dietary supplements.

(260) AM 2016 85272 A

(800) 825978

(891) 2015 11 04

(731) WILKINSON SWORD GMBH

Schützenstraße 110, 42659

Solingen, Germany

(540)



(591) Black, white

(511)

3 – Cosmetic products for shaving, cosmetics.

8 – Cutlery, razors and razor blades.

(260) AM 2016 85273 A

(800) 1277128

(891) 2015 09 14

(731) GENDREAM AG
Seestrasse 103, CH-8806 Bäch SZ,
Switzerland

(540)



(591) black and white

(511)

5 – Pharmaceutical products; food supplements, for non-medical use.

10 – Medical apparatus and instruments.

(260) AM 2016 85274 A

(800) 1277134

(891) 2015 09 04

(731) GUERLAIN SOCIETE ANONYME
68 avenue des Champs-Élysées, F-75008
PARIS, France

(540)



(591) gold, blue, grey, white

(511)

3 – Perfumes; toilet water; eau de parfum; eau de Cologne.

(260) AM 2016 85276 A

(800) 1277191

(891) 2015 09 30

(731) KALCEKS, akciju sabiedrība
Krustpils iela 53, LV-1057 Rīga, Latvia

(540)



(591) Dark red, red, light red and white

(511)

1 – Chemicals used in industry and science; chemical substances for preserving foodstuffs; chemical products and preparations and the chemicals of natural origin for industry and science purposes.

5 – Pharmaceutical and veterinary preparations.

(260) AM 2016 85312 A

(800) 1277503

(891) 2015 09 01

(731) Otkrytoe aktsionerное obshchestvo
"INVESTITSIONNAYA KOMPANIYA
"OSNOVA"
poselok Krekshino RU-143391 Moscow,
Russian Federation

(540)

SKIMIR

(591) Black, white

(511)

25 – Clothing; footwear; headgear for wear; wimples; bandanas [neckerchiefs]; underwear; sweat-absorbent underclothing; berets; overalls; boas [necklets]; teddies [undergarments]; half-boots; ski boots; boots for sports; breeches for wear; trousers; football shoes; brassieres; detachable collars; collars [clothing]; pelerines; shirt yokes; veils [clothing]; gabardines [clothing]; galoshes; neckties; Ascots; leggings [leg warmers]; spats; boot uppers; corselets; jerseys [clothing]; vests; sports jerseys; hosiery; heels; hoods [clothing]; hat frames [skeletons]; pockets for clothing; neck scarves [mufflers]; tights; slippers [undergarments]; combinations [clothing]; wet suits for water-skiing; bodices [lingerie]; corsets [underclothing]; suits; bathing suits; masquerade costumes; beach clothes; jackets [clothing]; stuff jackets [clothing]; fishing vests; leggings [trousers]; liveries; camisoles; cuffs; short-sleeve shirts; mantillas; coats; sleep masks; furs [clothing]; mittens; muffs [clothing]; footmuffs, not electrically heated; heelpieces for footwear; bibs, not of paper; fur stoles; ear muffs [clothing]; socks; beach shoes; sports shoes; paper clothing; outerclothing; ready-made clothing; motorists' clothing; cyclists' clothing; clothing for gymnastics; clothing of imitations of leather; clothing of leather; uniforms; fittings of metal for footwear; maniples; overcoats; parkas; gloves [clothing]; ski gloves; pyjamas; bathing trunks; shirt fronts; scarfs; pocket squares; dresses; headbands [clothing]; garters; sock suspenders; stocking suspenders; ready-made linings [parts of clothing]; dress shields; soles for footwear; braces for clothing [suspenders]; lace boots; ponchos; girdles; belts [clothing]; money belts [clothing]; layettes [clothing]; non-slipping devices for footwear; sweaters; heelpieces for stockings; welts for footwear; chasubles; shirts; wooden shoes; sandals; bath sandals; boots; sarongs; jumper dresses; saris; footwear uppers; inner soles;

bath slippers; togas; knitwear [clothing]; underpants; gymnastic shoes; slippers; shoes; skull caps; turbans; aprons [clothing]; tee-shirts; dressing gowns; bath robes; top hats; tips for footwear; stockings; sweat-absorbent stockings; shawls; caps [headwear]; paper hats [clothing]; shower caps; bathing caps; sashes for wear; studs for football boots; hats; babies' pants [clothing]; trouser straps; pelisses; esparto shoes or sandals; skirts; petticoats; skorts.

28 – Games; playthings; gymnastic and sporting articles not included in other classes; arcade video game machines; video game machines; gaming machines for gambling; amusement machines, automatic and coin-operated; toy vehicles; swimming pools [play articles]; trampolines; novelties for parties, dances [party favors, favours]; scratch cards for playing lottery games; starting blocks for sports; bodyboards; skating boots with skates attached; dolls' feeding bottles; stationary exercise bicycles; creels [fishing traps]; shuttlecocks; spinning tops [toys]; jigsaw puzzles; clay pigeons [targets]; punching bags; bite sensors [fishing tackle]; hang gliders; flying discs [toys]; discs for sports; dolls' houses; dominoes; swimming kick boards; surfboards; spring boards [sports articles]; skateboards; sailboards; chessboards; checkerboards; darts; Christmas trees of synthetic material; cups for dice; swimming jackets; ascenders [mountaineering equipment]; kites; toys for domestic pets; stuffed toys; plush toys; mobiles [toys]; practical jokes [novelties]; parlor games; board games; ring games; building games; kaleidoscopes; bladders of balls for games; rosin used by athletes; edges of skis; bingo cards; playing cards; fairground ride apparatus; reels for fishing; rocking horses; swings; skittles; billiard cues; golf clubs; hockey sticks; seal skins [coverings for skis]; bells for Christmas trees; dolls' rooms; confetti; explosive bonbons [Christmas crackers]; ice skates; roller skates; in-line roller skates; dice; paintball guns [sports apparatus]; ski bindings; dolls' beds; roulette wheels; fish hooks; building blocks [toys]; dolls; flippers for swimming; lines for fishing; gut for fishing; bows for archery; skis; water-skis; surf skis; mah-jong; wax for skis; hunting game calls; puppets; carnival masks; theatrical masks; fencing masks; masts for sailboards; teddy bears; chalk for billiard cues; targets; electronic targets; scale model kits [toys]; scale model vehicles; balls for games; artificial fishing bait; billiard table cushions; knee guards [sports articles]; billiard cue tips; elbow guards [sports articles]; dolls' clothes; fencing weapons; twirling batons; paragliders; pachinkos; baseball gloves; boxing gloves; golf gloves; gloves for games; batting gloves [accessories for games]; fencing gauntlets; piñatas; toy pistols; air pistols [toys]; percussion caps [toys]; caps for pistols [toys]; rattles [playthings]; horseshoe games; candle holders for Christmas trees; Christmas tree stands; sole coverings for skis; water wings; floats for fishing; por-

table games with liquid crystal displays; swimming belts; decoys for hunting or fishing; scent lures for hunting or fishing; archery implements; kite reels; soap bubbles [toys]; divot repair tools [golf accessories]; billiard markers; protective paddings [parts of sports suits]; rackets; surfboard leashes; harness for sailboards; weight lifting belts [sports articles]; sling shots [sports articles]; rollers for stationary exercise bicycles; harpoon guns [sports articles]; scooters [toys]; sleds [sports articles]; bob-sleighs; butterfly nets; landing nets for anglers; nets for sports; tennis nets; bite indicators [fishing tackle]; scrapers for skis; slot machines [gaming machines]; appliances for gymnastics; quoits; bar-bells; climbers' harness; fishing tackle; artificial snow for Christmas trees; snowshoes; snowboards; clay pigeon traps; billiard tables; coin-operated billiard tables; tables for table tennis; strings for rackets; gut for rackets; cricket bags; golf bags, with or without wheels; slides [playthings]; radio-controlled toy vehicles; body-building apparatus; machines for physical exercises; backgammon games; men's athletic supporters [sports articles]; rods for fishing; ornaments for Christmas trees, except illumination articles and confectionery; tennis ball throwing apparatus; conjuring apparatus; apparatus for games; bowling apparatus and machinery; counters [discs] for games; chips for gambling; bags especially designed for skis and surfboards; marbles for games; billiard balls; playing balls; play balloons; paintballs [ammunition for paintball guns]; snow globes; chess games; checkers [games]; poles for pole vaulting; paper party hats; shin guards [sports articles]; camouflage screens [sports articles]; chest expanders [exercisers].

(260) AM 2016 85317 A

(800) 1277587

(891) 2015 10 13

(731) AVON PRODUCTS, INC.

World Headquarters, 777 Third Avenue,
New York NY 10017, USA

(540)

AVON PERFECTLY MATTE

(511)

3 – Non-medicated toilet preparations; toiletries; skin care preparations; skin moisturizers; body and beauty care preparations; powders, creams and lotions, all for the face, hands and body; cosmetic suntan preparations; soaps; shower and bath preparations; beauty masks; talcum powder; nail polish; nail polish remover; enamel for nails; false nails; adhesives for cosmetic purposes; cosmetics; eye makeup remover, eye shadow, eye liner, mascara, lipstick, lip liner, lip gloss; make-up foundation; blusher; tissues impregnated with cosmetic lotions; cotton sticks for cosmetic purposes; cotton wool for cosmetic purposes; preparations for cleaning, mois-

turising, colouring and styling the hair; preparations for cleaning the teeth; shaving and aftershave preparations; perfumes, fragrances, toilet waters, cologne; deodorants for human beings; anti-perspirants for personal use (toiletries); essential oils (cosmetic).

(260) AM 2016 85322 A

(800) 1277704

(891) 2015 06 10

(731) TIBET ITHALAT IHRACAT VE
KOZMETIK SANAYI ANONIM SIRKETI
Ankara Cad. No:344 Kurtköy Pendik –
Istanbul, Turkey

(540)



(591) Green, white, blue and dark blue.

(511)

3 – Bleaching and cleaning preparations, detergents other than for use in manufacturing operations and for medical purposes, laundry bleach, fabric softeners for laundry use; stain removers, dishwasher detergents; soaps; dental care preparations: dentifrices, denture polishes, tooth whitening preparations, mouth washes, not for medical purposes; abrasive preparations; emery cloth; sandpaper; pumice stone; abrasive pastes; polishing preparations for leather, vinyl, metal and wood, polishes and creams for leather, vinyl, metal and wood, wax for polishing; perfumery; cosmetics; fragrances; deodorants for personal use and animals.

4 – Industrial oils and greases; cutting fluids; dust absorbing, wetting and binding compositions; solid fuels, coal, firewood; liquid and gas-fuels; petrol, diesel oil, liquified petroleum gas, natural gas, fuel oil and their non-chemical additives; candles; wicks; semi-finished wax; wax and paraffin for lighting purposes.

5 – Pharmaceutical and veterinary preparations for medical purposes; chemical preparations for medical and veterinary purposes, chemical reagents for pharmaceutical and veterinary purposes; dietary supplements for pharmaceutical and veterinary purposes; dietary supplements; nutritional supplements; medical preparations for slimming purposes; food for babies; herbs and herbal beverages adapted for medicinal purposes; dental preparations and articles: teeth filling material, dental impression material, dental adhesives and material for repairing teeth; sanitary preparations for medical use; hygienic pads; hygienic tampons; plasters; materials for dressings; diapers, including those made of paper and textiles; preparations for destroying vermin; fungicides, herbicides; deodorants, other than for human beings or for

animals; air deodorising preparations; disinfectants; antiseptics; detergents for medical, purposes.

11 – Lighting installations; lights for vehicles and interior-exterior spaces; heating installations using solid, liquid or gas fuels or electricity, central heating boilers, boilers for heating installations, radiators [heating], heat exchangers, not parts of machines, stoves, kitchen stoves, solar thermal collectors [heating]; steam, gas and fog generators, steam boilers, other than parts of machines, acetylene generators, oxygen generators, nitrogen generators; installations for air-conditioning and ventilating; cooling installations and freezers; electric and gas-powered devices, installations and apparatus for cooking, drying and boiling: cookers, electric cooking pots, electric water heaters, barbecues, electric laundry driers: hair driers; hand drying apparatus; sanitary installations, taps [faucets], shower installations, toilets [water-closets], shower and bathing cubicles, bath tubs, toilet seats, sinks, wash-hand basins [parts of sanitary installations]; water softening apparatus; water purification apparatus; water purification installations; waste water purification installations; electric bed warmers and electric blankets, not for medical use; electric pillow warmers; electric or non-electric foot-warmers; hot water bottles; filters for aquariums and aquarium filtration apparatus; industrial type installations for cooking, drying and cooling purposes; pasteurizers and sterilizers; air purifying and deodorising apparatus and machines.

(260) AM 2016 85373 A

(800) 1278426

(891) 2015 10 21

(731) AKTIEBOLAGET ELECTROLUX
S:t Göransgatan 143, SE-105 45 Stockholm,
Sweden

(540)



(591) black and white

(511)

7 – Dishwashers.

(260) AM 2016 85448 A

(800) 1279209

(891) 2015 10 21

(731) BIOFARMA
50 rue Carnot, F-92284 SURESNES CEDEX,
France

(540)

КАРИВАЛАН

(591) Black, white

(511)

5 – Pharmaceutical and veterinary products; sanitary products for medical purposes; dietetic food and substances for medical or veterinary use, food for babies; food supplements for humans and animals; plasters, materials for dressings; material for dental fillings and dental impressions; disinfectants; products for destroying vermin; fungicides, herbicides.

(260) AM 2016 85451 A

(800) 1279220

(891) 2015 10 29

(731) RICHTER GEDEON NYRT.

Gyömrői út 19-21, H-1103 Budapest, Hungary

(540)

ЭСПАРТИН

(591) Black, white

(511)

5 – Pharmaceutical preparations.

(260) AM 2016 85452 A

(800) 1279221

(891) 2015 10 29

(731) RICHTER GEDEON NYRT.

Gyömrői út 19-21, H-1103 Budapest, Hungary

(540)

БЕРЕВИН

(591) Black, white

(511)

5 – Pharmaceutical preparations.

(260) AM 2016 85455 A

(800) 1279247

(891) 2015 07 24

(731) WENZHOU ZHONGMIN GLASSES CO., LTD.

No.17 Jingyu Road, Luoqiao Industrial Park, Ouhai, Wenzhou Zhejiang, China

(540)

BULGET

(591) Black, white

(511)

9 – Goggles for sports; correcting lenses [optics]; spectacle cases; sunglasses; spectacle frames; eyeglass frames; contact lenses; eyeglasses; spectacles [optics].

(260) AM 2016 85456 A

(800) 1279321

(891) 2015 09 17

(731) KRKA, tovarna zdravil, d.d., Novo mesto

Šmarješka cesta 6, SI-8000 Novo mesto, Slovenia

(540)

ДУЛОКСЕНТА

(591) Black, white

(511)

5 – Pharmaceutical preparations.

(260) AM 2016 85458 A

(800) 1279800

(891) 2015 04 27

(731) Limited Liability Company "SANTAN"

vyl. Prymakova, 46, m. Kharkiv 61004, Ukraine

(540)



(591) black and white

(511)

11 – Bidets, bath tubs, bath coatings, heaters for baths, bath installations, bath fittings, pipe line cocks [spigots], taps [faucets], whirlpool-jet apparatus, water conduits installations, water heaters [apparatus], water intake apparatus, water softening apparatus and installations, water heaters, water purification installations, water purifying apparatus and machines, water supply installations, water distribution installations, flushing tanks, flushing apparatus/water flushing installations, water filtering apparatus, regulating accessories for water or gas apparatus and pipes, hydromassage bath apparatus, showers, shower cubicles [enclosures], mixer taps for water pipes, clean chambers [sanitary installations]; level controlling valves in tanks, washers for water taps, anti-splash tap nozzles, radiator caps, radiators [heating], radiators, electric; sinks; regulating and safety accessories for water apparatus; regulating and safety accessories for gas pipes; sanitary apparatus and installations; sauna bath installations; bath tubs for sitz baths; toilet seats; pipes [parts of sanitary installations]/water-pipes for sanitary installations; toilet bowls; toilets [water-closets]; toilets, portable; Turkish bath cabinets, portable; wash-hand basins [parts of sanitary installations]; filters for drinking water; central heating radiators.

35 – Advertising; business management; business administration; office functions; marketing studies; demonstration of goods; business information; commercial information agencies; sales promotion for others; procurement services for others [purchasing goods and services for other businesses]; presentation of goods on communication media, for retail purposes; the bringing together, for the benefit of others, of a variety of goods, including the aforementioned goods of class 11, enabling customers to con-

veniently view and purchase those goods and order services in retail stores, wholesale outlets, through mail order catalogues or by means of electronic media, including web sites or television shopping programs; the bringing together via the Internet, web pages and web sites information concerning a variety of goods, including the aforementioned goods in class 11, enabling customers to conveniently view and purchase those goods, and to order necessary goods and services via the internet, web pages and web sites, and to obtain necessary information concerning those goods and services.

(260) AM 2016 85459 A
 (800) 1279807
 (891) 2015 10 15
 (731) CAPRI SUN AG
 Neugasse 22, CH-6300 Zug, Switzerland
 (540)



(591) black and white
 (511)

32 – Smoothies; syrups, powders as well as raw materials, namely concentrates, syrups, powders and water for making beverages and essences for making non-alcoholic beverages (included in class 32); sports beverages; mineral waters; carbonated waters; non-alcoholic beverages; fruit beverages; fruit juices.

(260) AM 2016 85463 A
 (800) 1279928
 (891) 2015 10 15
 (731) MAY-AGRO TOHUMCULUK SANAYİ VE
 TİCARET ANONİM ŞİRKETİ
 Samanlı Mahallesi, Yiğitler Caddesi, No:28,
 YILDIRIM-BURSA, Turkey
 (540)



(591) Green, red, grey and white
 (511)

1 – Chemicals used in industry, science, photography, agriculture, horticulture and forestry; manures and soils; unprocessed artificial resins and unprocessed plastics; fire extinguishing compositions; adhesives not for medical, household and stationery purposes.

31 – Agricultural and horticultural products not included in other classes; seeds; forestry products not included in other classes; live animals; fertilized eggs for hatching; plants; dried plants for decoration; fresh garden herbs; dried garden herbs for decoration; animal foodstuffs; malt not for human consumption.

35 – Advertising, marketing and public relations; organization of exhibitions and trade fairs for commercial or advertising purposes; office functions; secretarial services; arranging newspaper subscriptions for others; compilation of statistics; rental of office machines; systemization of information into computer databases; telephone answering for unavailable subscribers; business management, business administration and business consultancy; accounting; commercial consultancy services; personnel recruitment, personnel placement, employment agencies, import-export agencies; temporary personnel placement services; business appraisals; auctioneering; the bringing together, for the benefit of others, of chemicals used in industry, science and photography, as well as in agriculture, horticulture and forestry, unprocessed artificial resins, unprocessed plastics, manures, fire extinguishing compositions, tempering and soldering preparations, chemical substances for preserving foodstuffs, tanning substances, adhesives used in industry, pharmaceutical and veterinary preparations, sanitary preparations for medical purposes, dietetic food and substances adapted for medical or veterinary use, food for babies, dietary supplements for humans and animals, plasters, materials for dressings, material for stopping teeth, dental wax, disinfectants, preparations for destroying vermin, fungicides, herbicides, bleaching preparations and other substances for laundry use, cleaning, polishing, scouring and abrasive preparations, soaps, perfumery, essential oils, cosmetics, hair lotions, dentifrices, grains and agricultural, horticultural and forestry products, live animals, fresh fruits and vegetables, seeds, natural plants and flowers, foodstuffs for animals, malt, enabling customers to conveniently view and purchase those goods, such services may be provided by retail stores, wholesale outlets, by means of electronic media or through mail order catalogues.

44 – Medical services; beauty care services; veterinary services, animal husbandry, animal breeding, shoeing horses [farrier services]; agriculture, horticulture and forestry services; medical advisory services in the field of personnel health.

(260) AM 2016 85593 A
 (800) 1281167
 (891) 2015 10 29
 (731) REEMTSMA CIGARETTENFABRIKEN
 GMBH

Max-Born Strasse 4, 22761 Hamburg,
Germany

(540)



(591) black and white

(511)

34 – Tobacco, whether manufactured or unmanufactured; tobacco products; tobacco substitutes, none being for medicinal or curative purposes; cigarettes; cigarillos; cigars; hand-held machines for making cigarettes; cigarette tubes; cigarette filters; cigarette papers; electronic cigarettes; liquids for electronic cigarettes; matches and smokers' articles.

(260) AM 2016 85622 A

(800) 1232530

(891) 2015 10 19

(731) GEOPOST

9 rue Maurice Mallet F-92130 ISSY-LES-
MOULINEAUX, France

(540)



Your delivery experts

(591) Red

(511)

39 – Warehousing services, namely, the storage, distribution, removal and packaging of parcels and goods; shipping and delivery services, namely, removal, transport and delivery of parcels and letters via various modes of transport; freight forwarding services; transport of goods and parcels by air, rail, river, sea and road; shipping and delivery services, namely, the pickup, transportation and delivery of parcels and letters; computerized tracking and tracing services for packages and freight in transit, namely, provision of automated information on domestic and international transportation and delivery services; provision of control information to others relating to the state of progress of pickup and delivery, via the Internet and via telephone; transport brokerage; information services pertaining to transport services; transportation logistics services; servi-

ces for the provision of parcels in a traders' network; logistics services in the field of the delivery of parcels and mail.

(260) AM 2016 85638 A

(800) 1281679

(891) 2015 11 10

(731) CONSTANTIN FILM VERLEIH GMBH

Feilitzschstraße 6, 80802 München, Germany

(540)

Shadowhunters

(511)

9 – Prerecorded data carriers, namely magnetic data carriers, prerecorded disc, compact discs, DVDs, digital disc drives, DVRs, hard drives and USB flashes featuring films and music; downloadable electronic publications featuring text, images, and graphic data in digital format; downloadable digital audio and visual files featuring films, music and musical performances.

16 – Printed matter, namely publicity and marketing materials, synopses, press kits, scripts and books featuring text, images, and graphic data in the field of entertainment.

41 – Entertainment services in the nature of organizing community cultural events; film production; film distribution.

(260) AM 2016 85639 A

(800) 1281680

(891) 2015 11 13

(731) APPLE INC.

1 Infinite Loop, Cupertino CA 95014,
USA

(540)

APPLE NEWS
PUBLISHER

(591) Black, white

(526) NEWS.

(511)

42 – Providing online non-downloadable software used to create, prepare, format, update, publish, deliver, manage, and promote content for viewing on mobile devices and computers; support and consultation services for developing computer applications and providing computer software information online relating to the creation, preparation, formatting, updating, publication, delivery, management, and promotion of content for viewing on mobile devices and computers; providing online non-downloadable software used in connection with online advertising, advertising campaign management, market research, and monitoring readership, user engagement, advertising exposure, and consumer response; support and consultation services for developing computer appli-

cations and providing computer software information online relating to online advertising, advertising campaign management, market research, and monitoring readership, user engagement, advertising exposure, and consumer response.

(260) AM 2016 85640 A
(800) 1281682
(891) 2015 11 13
(731) APPLE INC.
1 Infinite Loop, Cupertino CA 95014,
USA

(540)

APPLE NEWS

(526) NEWS.
(511)
41 – Providing information in the field of entertainment, music, sports, news, and arts and culture, via websites and computer applications.

(260) AM 2016 85641 A
(800) 1281731
(891) 2015 11 26
(731) RECHI PRECISION CO., LTD.
No. 943, Chenggong Road, Section 2,
Guanyin District, Taoyuan City Taiwan,
China

(540)

The logo for DynaRECHI features the word "Dyna" in a stylized, italicized font with a circular element around the 'y', followed by "RECHI" in a bold, sans-serif font.

(591) Black, white
(511)
11 – Lamps; refrigerating appliances and installations; air conditioning apparatus; laundry dryers, electric; drying apparatus and installations; air driers; air conditioning installations; heating apparatus; heaters for baths; water purification installations.

(260) AM 2016 85707 A
(800) 1282306
(891) 2015 11 30
(731) CHINA NATIONAL HEAVY DUTY
TRUCK GROUP CO., LTD.
No.53, Wuyingshan Zhong Road, Jinan,
Shandong Province, China

(540)

The logo for S太尔 (Stair) consists of the Chinese characters "斯太尔" in a bold, white, sans-serif font, set against a black rectangular background.

(591) black and white
(511)
12 – Automobiles.

(260) AM 2016 85708 A
(800) 1282317
(891) 2015 12 04
(731) ABBOTT PRODUCTS OPERATIONS AG
Hegenheimermattweg 127, CH-4123
Allschwil, Switzerland

(540)

BETASERC RAPID ODT

(591) black and white
(511)
5 – Pharmaceutical preparations.

(260) AM 2016 85719 A
(800) 1282656
(891) 2015 06 29
(731) TRAVELERSBOX LIMITED
57/63 Line Wall Road, Gibraltar, Gibraltar

(540)

TRAVELERS BOX

(511)
9 – Interactive kiosks comprising computers, computer hardware and software, interfaces and computer peripherals, for use in converting foreign currency into gift cards, donations or deposit to an electronic account; computer hardware and software, interfaces and computer peripherals, and software applications for mobile devices, for use in converting foreign currency into gift cards, donations or deposit to an electronic account.

36 – Currency exchange services consisting in converting foreign currency into gift cards, donations or deposit to an electronic account; rental of interactive kiosks aimed to convert foreign currency into gift cards, donations or deposit to an electronic account.

(260) AM 2016 85801 A
(800) 1217200
(891) 2015 12 23
(731) ALMA LASERS LTD.
14 Halamish St., POB 3021, Caesarea
Industrial Park, 3088900 Caesarea, Israel

(540)

SOPRANO

(511)
10 – Medical apparatus and instruments, including among others, lasers for hair removal, lasers for skin rejuvenation, apparatus for removal of tattoos and pigmented lesions, lasers for cutaneous lesions removal, lasers for vein removal, lasers for vascular lesions removal, apparatus for bodyfat reduction, apparatus for body contouring, lasers for treatment of psoriasis, lasers for treatment of atopic dermatitis (eczema) and of seborrheic dermatitis, apparatus for treatment of vitiligo, treatment of cellulite and treatment of acne.

44 – Hygienic and beauty care for human beings, including among others, laser hair removal, skin rejuvenation, removal of tattoos and pigmented lesions, laser cutaneous lesions removal, laser vein removal, laser vascular lesions removal, bodyfat reduction, body contouring, laser treatments for psoriasis, atopic dermatitis (eczema) seborrheic, dermatitis, vitiligo.

(260) AM 2016 85804 A

(800) 1283445

(891) 2015 07 09

(731) WORLD VET İLAÇ SANAYİ VE TİCARET LİMİTED ŞİRKETİ

Evren Evren Mah. Camiyolu Cad., No.50

K.1, GÜNEŞLİ İSTANBUL, Turkey

(540)

VITADIAR
ВИТАДИАР

(591) Black, white

(511)

5 – Medicines for human purposes, medicines for veterinary purposes, vitamin preparations, chemical preparations for medical purposes, dietary supplements for animals; fodder supplements for veterinary purposes; dental preparations and articles; preparations for destroying noxious plants, preparations for destroying noxious animals, fungicides, deodorants other than for human beings or for animals, air deodorising preparations, disinfectants for hygiene purposes, antiseptics, detergents for medical purposes.

(260) AM 2016 85808 A

(800) 1283499

(891) 2015 10 21

(731) ADP GAUSELMANN GMBH

Merkur-Allee 1-15, 32339 Espelkamp,

Germany

(540)

Voyage of Discovery

(511)

9 – Scientific, nautical, surveying, photographic, cinematographic, optical, weighing, measuring, signalling, checking (supervision), life-saving and teaching apparatus and instruments; apparatus and instruments for conducting, switching, transforming, accumulating, regulating or controlling electricity; apparatus for recording, transmission or reproduction of sound or images; magnetic data carriers, recording discs; compact discs, DVDs and other digital recording media; cash registers, calculating machines, data processing equipment, computers; computer software; fire-extinguishing apparatus; musical jukeboxes and parts for the aforesaid automatic ma-

chines; automatic cash dispensers, automatic money counting and money changing machines; coin-operated mechanisms; computer and video games software; games software for use on any computer platform, including electronic entertainment and games consoles; computer game programs; computer games programs; video games (software); computer games provided through a global computer network or supplied by means of multi-media electronic broadcast or through telecommunications or electronic transmission or via the internet; computer games, leisure and recreational software, video games and computer software, all being provided in the form of storage media; programs for operating electric and electronic apparatus for games, amusement and/or entertainment purposes; automatic lottery machines; computer software for computer games on the internet; online games (software), in particular for online betting games, online prize games, online gambling games, online games of skill and online casino games; computer software in the form of an app for mobile devices and computers; calculating apparatus in coin-operated machines and parts for the aforesaid goods; apparatus for recording, transmission, processing or reproduction of data, including sound or images, including parts for all the aforesaid goods, except radio sets, television receivers, hi-fi systems, video recorders, telephone apparatus, fax machines and telephone answering machines; computer hardware and software for casino and amusement arcade games, for gaming machines, slot machines or video lottery gaming machines or games of chance via the internet; electric, electronic, optical or automatic apparatus, for identifying data carriers, identity cards and credit cards, bank notes and coins; electric, electronic or optical alarm and monitoring installations, including video cameras and apparatus for image transmission and image processing; data processing apparatus and computers, including data processing apparatus and computers being components for data networks and parts facilitating data network communications; electric wiring harnesses; circuit boards, printed circuit boards (electronic components) and combinations thereof, being assemblies and parts for apparatus, included in this class.

28 – Toys; toys; gymnastic and sporting articles not included in other classes; decorations for christmas trees; gaming apparatus (including coin-operated apparatus); coin-operated arcade games (machines); games for amusement arcades (included in this class); coin-operated video gaming apparatus; video games apparatus adapted for use with external screens or monitors only; casino fittings, namely roulette tables, roulette wheels; coin-operated automatic gaming machines and gaming machines, in particular for gaming arcades, with or without a prize payout; electronic or electrotechnical gaming apparatus, automatic gaming machines, gaming machines, slot machines operated by coins, tokens, banknotes, tic-

kets or by means of electronic, magnetic or biometric storage media, in particular for commercial use in casinos and amusement arcades, with or without a prize payout; automatic gaming machines and gaming machines, in particular for commercial use in casinos and gaming arcades, with or without a prize payout; coin-operated gaming machines and/or electronic money-based gaming apparatus (machines), with or without prizes; housings adapted for gaming machines, gaming apparatus and automatic gaming machines, operated by means of coins, tokens, tickets or by means of electronic, magnetic or biometric storage media, in particular for commercial use in casinos and gaming arcades, with or without a prize payout; electronic games; electronic game entertainment apparatus and accessories; video output game machines; drawing apparatus for prize games and lotteries, draws or raffles; housings of metal, plastic and/or wood for coin-operated automatic machines; apparatus for games (including video games), other than adapted for use with external screens or monitors only; electropneumatic and electric slot machines with pulling handles (gaming machines); gaming tables, in particular for table football, billiards, sliding games; arrows and flying discs (toys); gaming machines, namely, electric, electronic or electromechanical apparatus for bingo games, lotteries or video lottery games and for betting offices, networked or unnetworked; LCD games consoles; automatic gaming machines; all the aforesaid automatic gaming machines, gaming machines and apparatus operating in networks; apparatus and devices for accepting and storing money, being fittings for the aforesaid automatic machines, included in this class.

41 – Education; providing of training; entertainment; sporting and cultural activities; rental of automatic slot machines and entertainment machines for casinos; arranging and conducting games; gambling; operating of lotteries; operating games on the internet, including online and being applications for smartphones; on-line game services provided via the internet; provision of entertainment and/or educational content for apps for mobile devices and computers; conducting quizzes by means of smartphone applications; providing casino facilities (gambling), betting offices; operating gaming establishments, arcades and/or online internet casinos and betting platforms; gambling services via the internet.

(260) AM 2016 85876 A

(800) 1284029

(891) 2015 10 22

(731) ZIYLAN MAĞAZACILIK VE
PAZARLAMA ANONİM ŞİRKETİ
Merkez Mah. Taşocağı Cad. No.24 K.3,
Mahmutbey, İstanbul, Turkey

(540)

OXIDE

(591) brown

(511)

25 – Inner and outer clothing made from all kinds of material, except clothing for protective purposes, namely, socks, scarfs, mufflers, shawls, bandanas, belts as clothing accessories, headgear, namely, hats, caps, bonnets; footwear, namely, shoes, slippers, sandals.

(260) AM 2016 85907 A

(800) 1284819

(891) 2015 07 03

(731) TİBET İTHALAT İHRACAT VE
KOZMETİK SAN A.Ş.

Ankara Caddesi No: 344 Kurtköy, TR-34906
PENDİK – İSTANBUL, Turkey

(540)

FULNET

(591) Black, white

(511)

5 – Preparations for destroying vermin; fungicides, herbicides; deodorants, other than for human beings or for animals; air deodorizing preparations; deodorizers for rooms, air purifying preparations; disinfectants; antiseptics; detergents for medical purposes.

INTERNATIONAL TRADEMARKS PROTECTED IN GEORGIA

(260) AM 2016 83176 A
(800) 1236050
(151) 2014 10 29
(181) 2024 10 29
(891) 2015 05 18
(511) 09, 14, 18, 25, 35

(260) AM 2016 83386 A
(800) 1259477
(151) 2015 06 04
(181) 2025 06 04
(891) 2015 06 04
(511) 05

(260) AM 2016 83179 A
(800) 1255682
(151) 2015 05 05
(181) 2025 05 05
(891) 2015 05 05
(511) 09, 38, 41, 42

(260) AM 2016 83439 A
(800) 1258963
(151) 2015 04 22
(181) 2025 04 22
(891) 2015 04 22
(511) 18, 25, 35

(260) AM 2016 83182 A
(800) 1255779
(151) 2015 02 25
(181) 2025 02 25
(891) 2015 02 25
(511) 09

(260) AM 2016 83440 A
(800) 1259031
(151) 2015 06 15
(181) 2025 06 15
(891) 2015 06 15
(511) 12

(260) AM 2016 83204 A
(800) 1255910
(151) 2015 05 28
(181) 2025 05 28
(891) 2015 05 28
(511) 05

(260) AM 2016 83441 A
(800) 1259074
(151) 2015 06 04
(181) 2025 06 04
(891) 2015 06 04
(511) 05

(260) AM 2016 83208 A
(800) 1255949
(151) 2015 02 09
(181) 2025 02 09
(891) 2015 02 09
(511) 01, 03, 04

(260) AM 2016 83442 A
(800) 1259077
(151) 2015 05 21
(181) 2025 05 21
(891) 2015 05 21
(511) 05

(260) AM 2016 83355 A
(800) 1257670
(151) 2015 06 25
(181) 2025 06 25
(891) 2015 06 25
(511) 09

(260) AM 2016 83443 A
(800) 1259082
(151) 2015 06 25
(181) 2025 06 25
(891) 2015 06 25
(511) 35, 43

(260) AM 2016 83385 A
(800) 1259475
(151) 2015 06 04
(181) 2025 06 04
(891) 2015 06 04
(511) 05

(260) AM 2016 83445 A
(800) 1259117
(151) 2015 05 06
(181) 2025 05 06
(891) 2015 05 06
(511) 05, 25, 34

(260) AM 2016 83448 A
(800) 1259259
(151) 2015 01 30
(181) 2025 01 30
(891) 2015 01 30
(511) 03, 09

(260) AM 2016 83449 A
(800) 1259286
(151) 2015 03 30
(181) 2025 03 30
(891) 2015 03 30
(511) 11

(260) AM 2016 83451 A
(800) 1259324
(151) 2015 04 27
(181) 2025 04 27
(891) 2015 04 27
(511) 35, 42

(260) AM 2016 83452 A
(800) 1259373
(151) 2015 06 15
(181) 2025 06 15
(891) 2015 06 15
(511) 12

(260) AM 2016 83453 A
(800) 1259385
(151) 2015 04 28
(181) 2025 04 28
(891) 2015 04 28
(511) 09

(260) AM 2016 83455 A
(800) 1259412
(151) 2015 06 11
(181) 2025 06 11
(891) 2015 06 11
(511) 01, 02, 03, 04

(260) AM 2016 83466 A
(800) 1259884
(151) 2015 05 22
(181) 2025 05 22
(891) 2015 05 22
(511) 14, 18, 25, 35

(260) AM 2016 83525 A
(800) 1260835
(151) 2015 03 16

(181) 2025 03 16
(891) 2015 03 16
(511) 01, 05, 10

(260) AM 2016 83526 A
(800) 1260853
(151) 2015 06 17
(181) 2025 06 17
(891) 2015 06 17
(511) 32, 33

(260) AM 2016 83527 A
(800) 1260854
(151) 2015 06 17
(181) 2025 06 17
(891) 2015 06 17
(511) 32, 33

(260) AM 2016 83528 A
(800) 1260859
(151) 2015 06 17
(181) 2025 06 17
(891) 2015 06 17
(511) 32, 33

(260) AM 2016 83529 A
(800) 1260953
(151) 2015 01 29
(181) 2025 01 29
(891) 2015 01 29
(511) 12

(260) AM 2016 83531 A
(800) 1260993
(151) 2014 11 21
(181) 2024 11 21
(891) 2014 11 21
(511) 18, 25, 35

(260) AM 2016 83533 A
(800) 1261017
(151) 2015 01 29
(181) 2025 01 29
(891) 2015 01 29
(511) 18, 25, 42

(260) AM 2016 83536 A
(800) 1261053
(151) 2015 03 26
(181) 2025 03 26
(891) 2015 03 26
(511) 35, 41, 45

(260) AM 2016 83537 A
(800) 1261063
(151) 2015 03 16
(181) 2025 03 16
(891) 2015 03 16
(511) 01, 05, 10

(260) AM 2016 83539 A
(800) 1261077
(151) 2015 05 06
(181) 2025 05 06
(891) 2015 05 06
(511) 05

(260) AM 2016 83540 A
(800) 1261078
(151) 2015 05 06
(181) 2025 05 06
(891) 2015 05 06
(511) 05

(260) AM 2016 83541 A
(800) 1261115
(151) 2015 06 26
(181) 2025 06 26
(891) 2015 06 26
(511) 33

(260) AM 2016 83549 A
(800) 217816
(151) 1959 03 02
(181) 2019 03 02
(891) 2015 07 22
(511) 05

(260) AM 2016 83550 A
(800) 225137
(151) 1959 10 29
(181) 2019 10 29
(891) 2015 07 22
(511) 05

(260) AM 2016 83552 A
(800) 261865
(151) 1962 11 12
(181) 2022 11 12
(891) 2015 06 05
(511) 12

(260) AM 2016 83554 A
(800) 806486A
(151) 2003 04 07

(181) 2023 04 07
(891) 2015 06 01
(511) 32, 33

(260) AM 2016 83556 A
(800) 837071
(151) 2004 06 07
(181) 2024 06 07
(891) 2015 04 29
(511) 18

(260) AM 2016 83558 A
(800) 887782
(151) 2006 02 24
(181) 2026 02 24
(891) 2015 06 15
(511) 18, 25

(260) AM 2016 83560 A
(800) 966932
(151) 2008 05 23
(181) 2018 05 23
(891) 2015 06 15
(511) 20, 24, 25

(260) AM 2016 83561 A
(800) 972926
(151) 2007 09 13
(181) 2017 09 13
(891) 2015 04 11
(511) 06, 09, 11, 20

(260) AM 2016 83565 A
(800) 1092642
(151) 2011 08 02
(181) 2021 08 02
(891) 2015 07 28
(511) 05

(260) AM 2016 83566 A
(800) 1102244
(151) 2011 08 16
(181) 2021 08 16
(891) 2015 06 15
(511) 03, 09, 14, 16, 20, 21, 24, 26

(260) AM 2016 83569 A
(800) 1237398
(151) 2014 12 17
(181) 2024 12 17
(891) 2015 06 10
(511) 34

(260) AM 2016 83570 A
(800) 1237401
(151) 2014 12 17
(181) 2024 12 17
(891) 2015 06 10
(511) 34

(260) AM 2016 83571 A
(800) 1237402
(151) 2014 12 17
(181) 2024 12 17
(891) 2015 06 10
(511) 34

(260) AM 2016 83572 A
(800) 1237403
(151) 2014 12 17
(181) 2024 12 17
(891) 2015 06 10
(511) 34

(260) AM 2016 83604 A
(800) 1261555
(151) 2014 12 22
(181) 2024 12 22
(891) 2014 12 22
(511) 10

(260) AM 2016 83613 A
(800) 1261677
(151) 2015 02 03
(181) 2025 02 03
(891) 2015 02 03
(511) 45

(260) AM 2016 83659 A
(800) 1262461
(151) 2015 03 24
(181) 2025 03 24
(891) 2015 03 24
(511) 03, 04, 16

(260) AM 2016 83661 A
(800) 1262469
(151) 2015 03 16
(181) 2025 03 16
(891) 2015 03 16
(511) 05

(260) AM 2016 83662 A
(800) 1262473
(151) 2015 02 27

(181) 2025 02 27
(891) 2015 02 27
(511) 06

(260) AM 2016 83663 A
(800) 1262153
(151) 2014 12 18
(181) 2024 12 18
(891) 2014 12 18
(511) 09, 16, 18, 21, 25, 41

(260) AM 2016 83664 A
(800) 1262166
(151) 2015 03 31
(181) 2025 03 31
(891) 2015 03 31
(511) 30

(260) AM 2016 83665 A
(800) 1262212
(151) 2015 07 01
(181) 2025 07 01
(891) 2015 07 01
(511) 44

(260) AM 2016 83666 A
(800) 1262214
(151) 2015 06 10
(181) 2025 06 10
(891) 2015 06 10
(511) 30

(260) AM 2016 83667 A
(800) 1262479
(151) 2015 03 16
(181) 2025 03 16
(891) 2015 03 16
(511) 05

(260) AM 2016 83668 A
(800) 1262236
(151) 2015 05 15
(181) 2025 05 15
(891) 2015 05 15
(511) 30

(260) AM 2016 83669 A
(800) 1262490
(151) 2015 04 15
(181) 2025 04 15
(891) 2015 04 15
(511) 05

(260) AM 2016 83670 A
(800) 1262257
(151) 2015 01 15
(181) 2025 01 15
(891) 2015 01 15
(511) 05

(260) AM 2016 83771 A
(800) 1044211
(151) 2010 06 15
(181) 2020 06 15
(891) 2015 08 17
(511) 11, 19

(260) AM 2016 83772 A
(800) 1101573
(151) 2011 11 22
(181) 2021 11 22
(891) 2015 08 13
(511) 20

(260) AM 2016 83773 A
(800) 1102531
(151) 2011 11 22
(181) 2021 11 22
(891) 2015 08 13
(511) 20

(260) AM 2016 83781 A
(800) 1263082
(151) 2015 02 19
(181) 2025 02 19
(891) 2015 02 19
(511) 09, 42

(260) AM 2016 83844 A
(800) 1263966
(151) 2015 01 15
(181) 2025 01 15
(891) 2015 01 15
(511) 05

(260) AM 2016 83911 A
(800) 1265412
(151) 2015 08 05
(181) 2025 08 05
(891) 2015 08 05
(511) 45

(260) AM 2016 83913 A
(800) 1264494
(151) 2015 04 02

(181) 2025 04 02
(891) 2015 04 02
(511) 03, 05, 10

(260) AM 2016 83965 A
(800) 1264844
(151) 2015 06 08
(181) 2025 06 08
(891) 2015 06 08
(511) 01, 03, 04

(260) AM 2016 83966 A
(800) 1264852
(151) 2015 07 01
(181) 2025 07 01
(891) 2015 07 01
(511) 31

(260) AM 2016 83992 A
(800) 1265294
(151) 2015 08 17
(181) 2025 08 17
(891) 2015 08 17
(511) 21

(260) AM 2016 84002 A
(800) 1265536
(151) 2015 04 01
(181) 2025 04 01
(891) 2015 04 01
(511) 07

(260) AM 2016 84025 A
(800) 1265816
(151) 2015 06 05
(181) 2025 06 05
(891) 2015 06 05
(511) 09, 28, 41

(260) AM 2016 84028 A
(800) 1265824
(151) 2015 06 22
(181) 2025 06 22
(891) 2015 06 22
(511) 09, 16, 35, 41, 42

(260) AM 2016 84029 A
(800) 1082194
(151) 2010 12 23
(181) 2020 12 23
(891) 2015 06 29
(511) 33

(260) AM 2016 84031 A
(800) 1265846
(151) 2015 06 18
(181) 2025 06 18
(891) 2015 06 18
(511) 05

(181) 2025 08 21
(891) 2015 08 21
(511) 03

(260) AM 2016 84035 A
(800) 1172343
(151) 2013 07 23
(181) 2023 07 23
(891) 2015 08 12
(511) 09

(260) AM 2016 84036 A
(800) 1182240
(151) 2013 09 02
(181) 2023 09 02
(891) 2015 06 26
(511) 35

(260) AM 2016 84038 A
(800) 1243758
(151) 2015 01 08
(181) 2025 01 08
(891) 2015 09 04
(511) 24, 25

(260) AM 2016 84039 A
(800) 1243759
(151) 2014 12 12
(181) 2024 12 12
(891) 2015 07 09
(511) 14, 18, 25

(260) AM 2016 84040 A
(800) 1254859
(151) 2015 05 28
(181) 2025 05 28
(891) 2015 08 25
(511) 43

(260) AM 2016 84041 A
(800) 1217471
(151) 2014 03 28
(181) 2024 03 28
(891) 2015 07 22
(511) 09, 16, 35, 39, 42

(260) AM 2016 84052 A
(800) 1266027
(151) 2015 08 21

OFFICIAL NOTIFICATIONS

INVENTIONS

TRANSFER OF RIGHTS (I-III quarter of 2016 year)

NUMBER OF PATENT	OLD PATENTOWNERS (Transfer of Rights)	NEW PATENTOWNERS (Recipient of Rights)	DATE OF TRANSFER
6050/1	Amgen Inc. One Amgen Center Drive, Thousand Oaks, 91320-1799 (US); Medarex LLC Road 206 and Provinceline Road Princeton, New Jercey, 08540 (US)	Amgen Inc. One Amgen Center Drive, Thousand Oaks, 91320-1799 (US); I. R. Squibb & Sans LLC Road 206 and Provinceline Road Princeton, New Jercey, 08540 (US)	01 14 2016
6061/1	Santen Pharmaceuticall Co. Ltd 9-19, Shimoshinio 3- Chome, Higashiiodogava-ku, Osaka-shi 5338651 (JP)	IUM Pharmaceuticall Corporation 4-12-15 Ginza Chuo-ku, Tokio (JP)	05 04 2016
655/4	Khatia Khatiasvili Kakhetis gzatkecili 110a, 0198, Tbilisi (GE)	Jimsher Chkhaidze Paliashvilis q. 92/10, 0162, Tbilisi (GE)	05 13 2016
4579/1	Musion Systems Limited 6 Snow Hill, London, EC1A 2AY (GB)	Musion das Hologram Limited 90 High Holborn, London, WC1V 6XX (GB)	07 15 2016
1584/1	Vladimer Chargazia Mukhiani, IV mk/r "B", korp. 37, b. 12, 380072, Tbilisi (GE)	Lasha Norakidze Gldanis I mk/r, korp. 16, b. 176, 0167, Tbilisi (GE)	07 18 2016
6518/1	Lamara Sakhvadze G. Shavgulidzis q. 7, b. 72, 0183, Tbilisi (GE)	Ltd "Healthy Life" Broses q. 2, oficce 23, 0108, Tbilisi (GE)	09 16 2016

CHANGES IN NAMES AND/OR ADDRESSES OF PATENTOWNERS (I-III quarter of 2016 year)

NUMBER OF PATENT	OLD NAMES AND/OR ADDRESSES	NEW NAMES AND/OR ADDRESSES	DATE OF CHANGES
1	2	3	4
6281/1	Aptalis Pharmatech Inc. 845 Center Drive, Vandalia, Ohio, 45377 (US)	Adare Pharmaceuticals Inc. lenox drive suite 100 lawrence will, New Jercey, 08648 (US)	01 28 2016
6112/1	Biogen Idec Ma Inc. 14 Cambridge Center, Cambridge, MA 02142 (US); USB Pharma S.A. 60 Allee de la Recherche, B-1070, Brussels (BE)	Biogen Ma Inc. 250 Bini street, Cambridge, MA 02142 (US); USB Pharma S.A. 60 Allee de la Recherche, B-1070, Brussels (BE)	04 05 2016
4024/1	Biogen Idec Ma Inc. 14 Cambridge Center, Cambridge, MA 02142 (US)	Biogen Ma Inc. 250 Bini street, Cambridge, MA 02142 (US);	05 19 2016
4629/1	Biogen Idec Ma Inc. 14 Cambridge Center, Cambridge, MA 02142 (US)	Biogen Ma Inc. 250 Bini street, Cambridge, MA 02142 (US);	05 24 2016

1	2	3	4
5917/1	Biogen Idec Ma Inc. 14 Cambridge Center, Cambridge, MA 02142 (US)	Biogen Ma Inc. 250 Bini street, Cambridge, MA 02142 (US);	05 24 2016
5693/1	Biogen Idec Ma Inc. 14 Cambridge Center, Cambridge, MA 02142 (US)	Biogen Ma Inc. 250 Bini street, Cambridge, MA 02142 (US);	05 24 2016
4211/1	Le Laboratoires Servier 12, Pluce de la Defence, F-92415 Courbevoie Cédex, (FR)	Le Laboratoires Servier 35, Rue de Verdun, 92284 Suresnes Cédex (FR)	05 24 2016
4579/1	Musion Systems Limited Wooden House, 7a, Langley street, London, WC2H 9JA (GB)	Musion Systems Limited Westcott House, 35 Portland Place, London, W1B 1QF (GB)	07 11 2016
4579/1	Musion Systems Limited Westcott House, 35 Portland Place, London, W1B 1QF (GB)	Musion Systems Limited 1 th fl. Westcott House, 35 Portland Place, London, W1B 1QF (GB)	07 12 2016
4579/1	Musion Systems Limited 1 th fl. Westcott House, 35 Portland Place, London, W1B 1QF (GB)	Musion Systems Limited 6 Snow Hill, London, EC1A 2AY (GB)	07 15 2016
1434/2	ZAO "Pivovarnay Moskva-Efec" Ul. Podolcskikh Kursantov, dom 15B, RU-117546 Moskow (RU)	JSC "Pivovarnay Moskva- Efec" Ul. Podolcskikh Kursantov, dom 15B, RU-117546 Moskow (RU)	07 22 2016
5285/1	Liquide Light Inc. 701 Fifth Avenue, 42nd Floor, Seattle, Washington, 98104 (US)	Liquide Light Inc. 701 Fifth Avenue, 42nd Floor, Seattle, Washington, 98104 (US)	07 28 2016
4579/1	Musion das Hologram Limited 90 High Holborn, London, WC1V 6XX (GB)	MDH Hologram Limited 35 New Bridge street, London, EC4V 6BW (GB)	09 16 2016

RENEWAL OF A PATENTS

(11) P 2013 5873 B

(73) Manana Shubitidze (GE)

**(54) OINTMENT FOR SKIN SUPPURATIVE DISEASES, WOUNDS AND BURN
TREATMENT**DATE OF RENEWAL: 26 09 2016
_____**(11) P 2013 5874 B**

(73) Manana Shubitidze (GE)

(54) DRUG FOR TUBERCULOSIS (T.B.)DATE OF RENEWAL: 26 09 2016

(11) P 2013 5980 B

(73) Zurab Japaridze (GE);
Guram Maisuradze (GE);
Irakli Gamkrelidze (GE)

(54) METHOD OF NATURAL OPIOID ALKALOID LABELING

DATE OF RENEWAL: 26 09 2016

(11) P 2014 6102 B

(73) IRM LLC (US);
Novartis AG (CH)

(54) COMPOUNDS AND COMPOSITIONS AS PROTEIN KINASE INHIBITORS

DATE OF RENEWAL: 26 09 2016

(11) P 2002 2756 B

(73) Otar Dolidze (GE);
Teimuraz Dolidze (GE)

(54) METALLURGICAL SLAG PROCESSING METHOD

DATE OF RENEWAL: 26 09 2016

UTILITY MODELS

RENEWAL OF A PATENTS

(11) U 2013 1784 Y

(73) Omar MARSagishvili (GE)

(54) DEVICE FORMING KHINKALI

DATE OF RENEWAL: 26 09 2016

(11) U 2015 1864 Y

(73) Nikoloz Chikhradze (GE);
Leri Kurdadze (GE);
Guram Abashidze (GE)

(54) COMPOSITE, ABSORBING THERMAL NEUTRONS

DATE OF RENEWAL: 26 09 2016

DESIGNS

CANCELLED OF REGIATRATION

(11) D 2011 490 S

(73) Zaza Sukiashvili (GE)

II Kheivnis q. 3, 0114, Tbilisi (GE)

(54) **CAR**

(58) 2016 07 21

GROUND(S): The patent further 5-year extension fee is not paid

(11) D 2012 499 S

(73) Merab Peradze (GE)

Sop. Apeni, 2701, Lagodekhi (GE)

(54) **PASTRY CART**

(58) 2016 08 02

GROUND(S): The patent further 5-year extension fee is not paid

(11) D 2012 497 S

(73) LTD "BERTA" (GE)

Sop. Tserovani, 3318, Mtskheta (GE)

(54) **PACKAGE**

(58) 2016 08 23

GROUND(S): The patent further 5-year extension fee is not paid

RENEWAL OF INDUSTRIAL DESIGNS PATENTS

(11) D 2007 293 S

(73) Elbi Elektrik Ithalat Ihracat Sanayi Ve Ticaret Anonim Sirketi (TR)

Tasoluk-Mehmet Akif Ersoy Mah. Maltepe Cad. N 15 Arnavutkoy-Gaziosmanpasa, Istanbul, Turkey (TR)

(54) **POWER SWITCH (2 variants)**

(24) 2006 05 19

(18) 2021 05 19

(58) 2016 07 05

(11) D 2007 294 S

(73) Elbi Elektrik Ithalat Ihracat Sanayi Ve Ticaret Anonim Sirketi (TR)

Tasoluk-Mehmet Akif Ersoy Mah. Maltepe Cad. N 15 Arnavutkoy-Gaziosmanpasa, Istanbul, Turkey (TR)

(54) **POWER SWITCH (2 variants)**

(24) 2006 05 19

(18) 2021 05 19

(58) 2016 07 05

RENEWAL OF DESIGN REGISTRATION

(11) D 2012 493 S

(73) CHONGQING SOKON INDUSTRY GROUP STOCK CO., LTD (CN)

N61-1, Jinqiao Road Shapingba District, Chongqing China

(54) **Car**

(24) 2011 08 16

(18) 2021 08 16

(58) 2016 08 23

RENEWAL OF PATENTS ON INDUSTRIAL DESIGNS

(11) D 2007 295 S

(73) ORION CORPORATION (KR)

30-10 Munbae-Dong, Iongsan-Ku, Seoul (KR)

(54) **CONFECTIONERY**

(24) 2006 09 29

(18) 2021 09 29

(58) 2016 08 19

(11) D 2007 296 S

(73) ORION CORPORATION (KR)

30-10 Munbae-Dong, Iongsan-Ku, Seoul (KR)

(54) **PACKING BOX FOR CONFECTIONERY**

(24) 2006 09 29

(18) 2021 09 29

(58) 2016 08 19

(11) D 2007 297 S

(73) ORION CORPORATION (KR)

30-10 Munbae-Dong, Iongsan-Ku, Seoul (KR)

(54) **PACKING BOX FOR CONFECTIONERY**

(24) 2006 09 29

(18) 2021 09 29

(58) 2016 08 19

(11) D 2007 298 S

(73) ORION CORPORATION (KR)

30-10 Munbae-Dong, Iongsan-Ku, Seoul (KR)

(54) **CONFECTIONERY**

(24) 2006 09 29

(18) 2021 09 29

(58) 2016 08 19

LICENSE AGREEMENT

(11) D 2006 284 S

(54) Oil Bottle

LICENSOR (OWNER): ZAO "SOLAR PARADISE" (RU)
Ul. Tolstogo 8, 344037, Rostov on Don, Russian Federation (RU)

LICENSEE: Ltd "GOLD SUNFLOWER SEEDS" (RU)
Ul. Tolstogo 8, 344037, Rostov on Don, Russian Federation (RU)

REGISTERED NUMBER OF LICENSE AGREEMENT: 2016 005

DATE OF LICENSE AGREEMENT: 2016 08 04

PRELIMINARY DATE OF ACTION OF LICENSE AGREEMENT: 2016 08 04 - 2030 10 11

LICENSE FORM: Private, exclusive

VALIDITY OF THE LICENSE AREA: Georgia

INTERNATIONAL DESIGNS APPLICATION, WHICH WAS REGISTERED ON THE
TERRITORY OF GEORGIA

(11) DM/ 088 533
(15) 2015 10 21
(24) 2015 10 21
(18) 2020 10 21
(44) 7(443) 2016 04 11
(45) 2015/50, 2015 12 18

(11) DM/081 177
(15) 2013 06 21
(24) 2013 06 21
(18) 2018 06 21
(44) 7(443) 2016 04 11
(45) 2015/51, 2015 12 25

(11) DM/086 057
(15) 2015 03 30
(24) 2015 03 30
(18) 2020 03 21
(44) 7(443) 2016 04 11
(45) 2015/51, 2015 12 25

(11) DM/ 086 730
(15) 2015 06 19
(24) 2015 06 19
(18) 2020 06 19
(44) 7(443), 2016 04 11
(45) 2015/51, 2015 12 25

(11) DM/086 754
(15) 2015 06 22
(24) 2015 06 22
(18) 2020 06 22
(44) 7(443) 2016 04 11
(45) 2015/51, 2015 12 25

(11) DM/086 840
(15) 2015 06 30
(24) 2015 06 30
(18) 2020 06 30
(44) 7(443) 2016 04 11
(45) 2015/52, 2016 01 01

(11) DM/086 842
(15) 2015 07 01
(24) 2015 07 01
(18) 2020 07 01
(44) 7(443) 2016 04 11
(45) 2015/ 52, 2016 01 01

(11) DM/088 701
(15) 2015 12 14
(24) 2015 12 14
(18) 2020 12 14
(44) 7(443) 2016 04 11
(45) 2015/52, 2016 01 01

(11) DM/088 738
(15) 2015 12 14
(24) 2015 12 14
(18) 2020 12 14
(44) 7(443) 2016 04 11
(45) 2015/52, 2016 01 01

(11) DM/088 744
(15) 2015 12 17
(24) 2015 12 17
(18) 2020 12 17
(44) 7(443) 2016 04 11
(45) 2015/52, 2016 01 01

(11) DM/086 949
(15) 2015 07 08
(24) 2015 07 08
(18) 2020 07 08
(44) 7(443) 2016 04 11
(45) 2016/01, 2016 01 08

(11) DM/ 088 754
(15) 2015 08 14
(24) 2015 08 14
(18) 2020 08 14
(44) 7(443) 2016 04 11
(45) 2016/01, 2016 01 08

(11) DM/88 755
(15) 2015 09 09
(24) 2015 09 09
(18) 2020 09 09
(44) 7(443) 2016 04 11
(45) 2016/01, 2016 01 08

(11) DM/088 767
(15) 2015 12 21
(24) 2015 12 21
(18) 2020 12 21
(44) 7(443) 2016 04 11
(45) 2016/01, 2016 01 08

(11) DM/088768
(15) 2015 12 21
(24) 2015 12 21
(18) 2020 12 21
(44) 7(443) 2016 04 11
(45) 2016/01, 2016 01 08

(11) DM/088 769
(15) 2015 12 21
(24) 2015 12 21
(18) 2020 12 21
(44) 7(443) 2016 04 11
(45) 2016/01, 2016 01 08

(11) DM/088 771
(15) 2015 10 07
(24) 2015 10 07
(18) 2020 10 07
(44) 7(443) 2016 04 11
(45) 2016/01, 2016 01 08

(11) DM/088 792
(15) 2015 10 09
(24) 2015 10 09
(18) 2020 10 09
(44) 7(443) 2016 04 09
(45) 2016/01, 2016 01 08

(11) DM/088 807
(15) 2015 12 14
(24) 2015 12 14
(18) 2020 12 14
(44) 7(443) 2016 04 11
(45) 2016/ 01, 2016 01 08

(11) DM/088 828
(15) 2015 12 14
(24) 2015 12 14
(18) 2020 12 14
(44) 7(443) 2016 04 11
(45) 2016/01, 2016 01 08

(11) DM/088 829
(15) 2015 12 14
(24) 2015 12 14
(18) 2020 12 14
(44) 7(443) 2016 04 11
(45) 2016/01, 2016 01 08

(11) DM/ 088 864
(15) 2015 04 10
(24) 2015 04 10

(18) 2020 04 10
(44) 7(443) 2016 04 11
(45) 2016/02, 2016 01 15

(11) DM/087 003
(15) 2015 07 17
(24) 2015 07 17
(18) 2020 07 17
(44) 7(443) 2016 04 11
(45) 2016/03, 2016 01 22

(11) DM/ 085 431
(15) 2015 01 22
(24) 2015 01 22
(18) 2020 01 22
(44) 7(443) 2016 04 11
(45) 2016/04, 2016 01 29

(11) DM/085 432
(15) 2015 01 22
(24) 2015 01 22
(18) 2020 01 22
(44) 7(443) 2016 04 11
(45) 2016/04, 2016 01 29

(11) DM/087 044
(15) 2015 07 24
(24) 2015 07 24
(18) 2020 07 24
(44) 7(443) 2016 04 11
(45) 2016/04, 2016 01 29

(11) DM/088 983
(15) 2016 01 08
(24) 2016 01 08
(18) 2021 01 08
(44) 7(443) 2016 04 11
(45) 2016/04, 2016 01 29

(11) DM/088 984
(15) 2016 01 11
(24) 2016 01 11
(18) 2021 01 11
(44) 7(443) 2016 04 11
(45) 2016/ 04, 2016 01 29

(11) DM/ 088 991
(15) 2015 08 05
(24) 2015 08 05
(18) 2020 08 05
(44) 7(443) 2016 04 11
(45) 2016/04, 2016 01 29

(11) DM/ 088 998
(15) 2015 08 05
(24) 2015 08 05
(18) 2020 08 05
(44) 7(443) 2016 04 11
(45) 2016/04, 2016 01 29

(11) DM/ 089 018
(15) 2015 12 08
(24) 2015 12 08
(18) 2020 12 08
(44) 7(443) 2016 04 11
(45) 2016/04, 2016 01 29

(11) DM/089 019
(15) 2015 12 08
(24) 2015 12 08
(18) 2020 12 08
(44) 7(443) 2016 04 11
(45) 2016/04, 2016 01 29

(11) DM/087 209
(15) 2015 07 31
(24) 2015 07 31
(18) 2020 07 31
(44) 9 (445) 2016 05 10
(45) 2016/05, 2016 02 05

(11) DM/089 049
(15) 2015 07 17
(24) 2015 07 17
(18) 2020 07 17
(44) 9(445) 2016 05 10
(45) 2016/05, 2016 02 05

(11) DM/89 216
(15) 2016 01 27
(24) 2016 01 27
(18) 2021 01 27
(44) 9(445) 2016 05 10
(45) 2016/06, 2016 02 12

(11) DM/087 275
(15) 2015 08 19
(24) 2015 08 19
(18) 2020 08 19
(44) 9(445) 2016 05 10
(45) 2016/07, 2016 02 19

(11) DM/087 329
(15) 2015 08 24
(24) 2015 08 24

(18) 2020 08 24
(44) 9(445) 2016 05 10
(45) 2016/08, 2016 02 26

(11) DM/ 087 598
(15) 2015 08 26
(24) 2015 08 26
(18) 2020 08 26
(44) 9(445) 2016 05 10
(45) 2016/08, 2016 02 26

(11) DM/089 346
(15) 2015 09 04
(24) 2015 09 04
(18) 2020 09 04
(44) 9(445) 2016 05 10
(45) 2016/08, 2016 02 26

(11) DM/089 347
(15) 2015 07 13
(24) 2015 07 13
(18) 2020 07 13
(44) 9(445) 2016 05 10
(45) 2016/08, 2016 02 26

(11) DM/089 368
(15) 2016 02 12
(24) 2016 02 12
(18) 2021 02 12
(44) 9(445) 2016 05 10
(45) 2016/08, 2016 02 26

(11) DM/087 433
(15) 2015 09 03
(24) 2015 09 03
(18) 2020 09 03
(44) 9(445) 2016 05 10
(45) 2016/09, 2016 03 04

(11) DM/087 439
(15) 2015 08 31
(24) 2015 08 31
(18) 2020 08 31
(44) 9(445) 2016 05 10
(45) 2016/09, 2016 03 04

(11)DM/087 446
(15) 2015 09 03
(24) 2015 09 03
(18) 2020 09 03
(44) 9(445) 2016 05 10
(45) 2016/09, 2016 03 04

(11) DM/087 937
(15) 2015 08 31
(24) 2015 08 31
(18) 2020 08 31
(44) 9(445) 2016 05 10
(45) 2016/09, 2016 03 04

(11) DM/088 914
(15) 2015 08 31
(24) 2015 08 31
(18) 2020 08 31
(44) 9(445) 2016 05 10
(45) 2016/09, 2016 03 04

(11) DM/089 461
(15) 2016 02 12
(24) 2016 02 12
(18) 2021 02 12
(44) 9(445) 2016 05 10
(45) 2016/09, 2016 03 04

(11) DM/ 087 451
(15) 2015 09 08
(24) 2015 09 08
(18) 2020 09 08
(44) 9(445) 2016 05 10
(45) 2016/10, 2016 03 11

(11) DM/087 498
(15) 2015 09 07
(24) 2015 09 07
(18) 2020 09 07
(44) 9(445) 2016 05 10
(45) 2016/10, 2016 03 11

(11) DM/087 499
(15) 2015 09 07
(24) 2015 09 07
(18) 2020 09 07
(44) 9(445) 2016 05 10
(45) 2016/10, 2016 03 11

(11) DM/087 512
(15) 2015 09 11
(24) 2015 09 11
(18) 2020 09 11
(44) 9(445) 2016 05 10
(45) 2016/10, 2016 03 11

(11) DM/087 548
(15) 2015 09 11
(24) 2015 09 11

(18) 2020 09 11
(44) 9(445) 2016 05 10
(45) 2016/10, 2016 03 11

(11) DM/087 582
(15) 2015 09 09
(24) 2015 09 09
(18) 2020 09 09
(44) 9(445) 2016 05 10
(45) 2016/10, 2016 03 11

(11) DM/089 511
(15) 2015 11 13
(24) 2015 11 13
(18) 2020 11 13
(44) 9(445) 2016 05 10
(45) 2016/ 10, 2016 03 11

(11) DM/089 545
(15) 2015 10 30
(24) 2015 10 30
(18) 2020 10 30
(44) 9(445) 2016 05 10
(45) 2016/10, 2016 03 11

(11) DM/089 546
(15) 2015 10 31
(24) 2015 10 31
(18) 2020 10 31
(44) 9(445) 2016 05 10
(45) 2016/10, 2016 03 11

TRADEMARKS

RENEWAL OF REGISTRATIONS

(111) M 2006 16840 R1
(156) 2016 08 31
(186) 2026 08 31
(732) INTERSUN HOLDING FZCO
P.O. box:61051 Jebel Ali Free Zone, Dubai,
United Arab Emirates

(111) M 2006 16841 R1
(156) 2016 08 31
(186) 2026 08 31
(732) INTERSUN HOLDING FZCO
P.O. box: 61051 Jebel Ali Free Zone, Dubai,
United Arab Emirates

(111) M 2006 16842 R1
(156) 2016 08 31
(186) 2026 08 31
(732) INTERSUN HOLDING FZCO
P.O. box:61051 Jebel Ali Free Zone, Dubai,
United Arab Emirates

(111) M 2006 16843 R1
(156) 2016 08 31
(186) 2026 08 31
(732) INTERSUN HOLDING FZCO
P.O. box: 61051 Jebel Ali Free Zone, Dubai,
United Arab Emirates

(111) M 1996 2586 R2
(156) 2016 07 22
(186) 2026 07 08
(732) MASAI S.A.
44, avenue J.F. Kennedy, L-1855,
Luxembourg

(111) M 1996 2684 R2
(156) 2016 07 19
(186) 2026 07 19
(732) GEDUMA S.A.
1, rue Jean Piret, L-2350, Luxembourg,
Luxembourg

(111) M 1996 2726 R2
(156) 2016 07 25
(186) 2026 07 25
(732) OXOID LIMITED
Wade Road, BASINGSTOKE, Hampshire,
United Kingdom

(111) M 1996 2844 R2
(156) 2016 08 02
(186) 2026 08 02
(732) MANPOWER INC.
a Wisconsin corporation
100 Manpower Place, Milwaukee, Wisconsin,
USA

(111) M 1996 2853 R2
(156) 2016 08 15
(186) 2026 08 15
(732) CHEVRON INTELLECTUAL PROPERTY
LLC
a State of Delaware, Limited Liability
Company 6001 Bollinger Canyon Road,
San Ramon, California 94583, USA

(111) M 1996 2859 R2
(156) 2016 08 23
(186) 2026 08 23
(732) FERRERO S.P.A.
Piazzale Pietro Ferrero 1, 12051 Alba,
Cuneo, Italy

(111) M 1996 2863 R2
(156) 2016 08 23
(186) 2026 08 23
(732) FERRERO S.P.A.
Piazzale Pietro Ferrero 1, 12051 Alba,
Cuneo, Italy

(111) M 1996 2865 R2
(156) 2016 08 23
(186) 2026 08 23
(732) SOREMARTEC S.A.
Findel Business Center, Complexe B,
Rue de Treves, L-2632 Findel, Luxembourg

(111) M 1996 2866 R2
(156) 2016 08 23
(186) 2026 08 23
(732) SOREMARTEC S.A.
Findel Business Center, Complexe B,
Rue de Treves, L-2632 Findel, Luxembourg

(111) M 1996 2879 R2
(156) 2016 09 05
(186) 2026 09 05

(732) BIOPHARM
50, rue Carnot, 92284 Suresnes cedex,
France

(111) M 1996 2880 R2
(156) 2016 09 05
(186) 2026 09 05

(732) BIOPHARM
50, rue Carnot, 92284 Suresnes cedex,
France

(111) M 1996 2881 R2
(156) 2016 09 05
(186) 2026 09 05

(732) BIOPHARM
50, rue Carnot, 92284 Suresnes cedex,
France

(111) M 1996 2882 R2
(156) 2016 09 05
(186) 2026 09 05

(732) BIOPHARM
50, rue Carnot, 92284 Suresnes cedex,
France

(111) M 1996 2883 R2
(156) 2016 09 05
(186) 2026 09 05

(732) BIOPHARM
50, rue Carnot, 92284 Suresnes cedex,
France

(111) M 1996 2888 R2
(156) 2016 09 05
(186) 2026 09 05

(732) BIOPHARM
50, rue Carnot, 92284 Suresnes cedex,
France

(111) M 1996 2889 R2
(156) 2016 09 05
(186) 2026 09 05

(732) BIOPHARM
50, rue Carnot, 92284 Suresnes cedex,
France

(111) M 1996 2890 R2
(156) 2016 09 05
(186) 2026 09 05

(732) BIOPHARM
50, rue Carnot, 92284 Suresnes cedex,
rance

(111) M 1996 2891 R2
(156) 2016 09 05
(186) 2026 09 05

(732) BIOPHARM
50, rue Carnot, 92284 Suresnes cedex,
France

(111) M 1996 2892 R2
(156) 2016 09 05
(186) 2026 09 05

(732) BIOPHARM
50, rue Carnot, 92284 Suresnes cedex,
France

(111) M 1996 2896 R2
(156) 2016 09 05
(186) 2026 09 05

(732) BIOPHARM
50, rue Carnot, 92284 Suresnes cedex,
France

(111) M 1996 2897 R2
(156) 2016 09 05
(186) 2026 09 05

(732) BIOPHARM
50, rue Carnot, 92284 Suresnes cedex,
France

(111) M 1996 2899 R2
(156) 2016 09 05
(186) 2026 09 05

(732) BIOPHARM
50, rue Carnot, 92284 Suresnes cedex,
France

(111) M 1996 2900 R2
(156) 2016 09 05
(186) 2026 09 05

(732) BIOPHARM
50, rue Carnot, 92284 Suresnes cedex,
France

(111) M 1996 2905 R2
(156) 2016 09 05
(186) 2026 09 05

(732) WILLIAM GRANT & SONS LIMITED
The Glenfiddich Distillery, Dufftown,
Banffshire, Scotland, United Kingdom

(111) M 1996 2927 R2
(156) 2016 09 05
(186) 2026 09 05

(732) COMPAGNIE GERVAIS DANONE, societe
anonyme
17 Boulevard Haussmann, 75009 Paris,
France

(111) M 1996 2932 R2
(156) 2016 09 05
(186) 2026 09 05

(732) MERCK SHARP & DOHME CORP.
One Merck Drive, Whitehouse Station,
New Jersey 08889, USA

(111) M 1996 2936 R2
(156) 2016 09 06
(186) 2026 09 06

(732) KONINKLIJKE DOUWE EGBERTS B.V.
Oosterdoksstraat 80, 1011 DK Amsterdam,
Netherlands

(111) M 1996 2937 R2
(156) 2016 09 06
(186) 2026 09 06

(732) BAYER INTELLECTUAL PROPERTY
GMBH
Alfred-Nobel-Strasse 10, 40789 Monheim
am Rhein, Germany

(111) M 1996 2941 R2
(156) 2016 09 06
(186) 2026 09 06

(732) AUGUST STORCK KG
Waldstrase 27, D-13403 Berlin, Germany

(111) M 1996 2954 R2
(156) 2016 09 06
(186) 2026 09 06

(732) AUGUST STORCK KG
Waldstrase 27, D-13403 Berlin, Germany

(111) M 1996 2955 R2
(156) 2016 09 06
(186) 2026 09 06

(732) AUGUST STORCK KG
Waldstrase 27, D-13403 Berlin, Germany

(111) M 1996 2959 R2
(156) 2016 09 09
(186) 2026 09 09

(732) VISA INTERNATIONAL SERVICE
ASSOCIATION
900 Metro Center Boulevard, Foster
City, California 94404, USA

(111) M 1996 2970 R2
(156) 2016 09 09
(186) 2026 09 09

(732) DOW CORNING CORPORATION
Midland, Michigan 48686-0994, USA

(111) M 1996 2971 R2
(156) 2016 09 09
(186) 2026 09 09

(732) DOW CORNING CORPORATION
Midland, Michigan 48686-0994, USA

(111) M 1996 2973 R2
(156) 2016 09 09
(186) 2026 09 09

(732) The Coca-Cola Company
One Coca-Cola Plaza, Atlanta, Georgia
30313, USA

(111) M 1996 2974 R2
(156) 2016 09 10
(186) 2026 09 10

(732) DENSO Holding GmbH & Co.
Leverkusen, Germany

(111) M 1996 2979 R2
(156) 2016 09 10
(186) 2026 09 10

(732) RICOH COMPANY, LTD
Tokyo, Japan

(111) M 1996 2980 R2
(156) 2016 09 10
(186) 2026 09 10

(732) RICOH COMPANY, LTD
Tokyo, Japan

(111) M 1996 2987 R2
(156) 2016 09 10
(186) 2026 09 10

(732) DIAGEO NORTH AMERICA, INC.
801 Main Avenue, Norwalk CT 06851-1127,
USA

(111) M 1996 2988 R2
(156) 2016 09 10
(186) 2026 09 10

(732) DIAGEO NORTH AMERICA, INC.
801 Main Avenue, Norwalk CT 06851-1127,
USA

(111) M 1996 2989 R2
(156) 2016 09 10
(186) 2026 09 10
(732) MILLER BREWING INTERNATIONAL,
INC.
3939 West Highland Boulevard, Milwaukee,
Wisconsin 53208, USA

(111) M 1996 2994 R2
(156) 2016 09 10
(186) 2026 09 10
(732) SEMPERIT REIFEN GESELLSCHAFT
MBH
Triester. Str. 14, 2351 Wiener Neudorf,
Austria

(111) M 1996 2995 R2
(156) 2016 09 10
(186) 2026 09 10
(732) TOTAL BELGIUM
93, rue du Commerce, 1040 Brussels,
Belgium

(111) M 1996 3014 R2
(156) 2016 09 11
(186) 2026 09 11
(732) HERAEUS KULZER GMBH
Grüner Weg 11, 63450 Hanau, Germany

(111) M 1996 3072 R2
(156) 2016 09 13
(186) 2026 09 13
(732) PANASONIC CORPORATION
1006, Oaza- Kadoma, Kadoma-shi, Osaka
571-8501, Japan

(111) M 1996 3073 R2
(156) 2016 09 13
(186) 2026 09 13
(732) PANASONIC CORPORATION
1006, Oaza- Kadoma, Kadoma-shi, Osaka
571-8501, Japan

(111) M 1996 3074 R2
(156) 2016 09 13
(186) 2026 09 13
(732) UNIVERSAL CITY STUDIOS LLC
100 Universal City Plaza, Universal
City, California 91608, USA

(111) M 1996 3075 R2
(156) 2016 09 13
(186) 2026 09 13

(732) UNIVERSAL CITY STUDIOS LLC
100 Universal City Plaza, Universal
City, California 91608, USA

(111) M 1996 3076 R2
(156) 2016 09 13
(186) 2026 09 13
(732) UNIVERSAL CITY STUDIOS LLC
100 Universal City Plaza, Universal
City, California 91608, USA

(111) M 1996 3078 R2
(156) 2016 09 13
(186) 2026 09 13
(732) UNIVERSAL CITY STUDIOS LLC
100 Universal City Plaza, Universal
City, California 91608, USA

(111) M 1996 3102 R2
(156) 2016 09 16
(186) 2026 09 16
(732) CANON KABUSHIKI KAISHA
30-2, 3-chome, shimomaruko, Ohta-ku,
Tokyo, Japan

(111) M 1996 3103 R2
(156) 2016 09 16
(186) 2026 09 16
(732) CANON KABUSHIKI KAISHA
30-2, 3-chome, shimomaruko, Ohta-ku,
Tokyo, Japan

(111) M 1996 3104 R2
(156) 2016 09 16
(186) 2026 09 16
(732) CANON KABUSHIKI KAISHA
30-2, 3-chome, shimomaruko, Ohta-ku,
Tokyo, Japan

(111) M 1996 3105 R2
(156) 2016 09 16
(186) 2026 09 16
(732) CANON KABUSHIKI KAISHA
30-2, 3-chome, shimomaruko, Ohta-ku,
Tokyo, Japan

(111) M 1996 3106 R2
(156) 2016 09 16
(186) 2026 09 16
(732) CANON KABUSHIKI KAISHA
30-2, 3-chome, shimomaruko, Ohta-ku,
Tokyo, Japan

(111) M 1996 3107 R2
(156) 2016 09 16
(186) 2026 09 16
(732) CANON KABUSHIKI KAISHA
30-2, 3-chome, shimomaruko, Ohta-ku,
Tokyo, Japan

(111) M 1996 3108 R2
(156) 2016 09 16
(186) 2026 09 16
(732) CANON KABUSHIKI KAISHA
30-2, 3-chome, shimomaruko, Ohta-ku,
Tokyo, Japan

(111) M 1996 3109 R2
(156) 2016 09 16
(186) 2026 09 16
(732) CANON KABUSHIKI KAISHA
30-2, 3-chome, shimomaruko, Ohta-ku,
Tokyo, Japan

(111) M 1996 3110 R2
(156) 2016 09 16
(186) 2026 09 16
(732) CANON KABUSHIKI KAISHA
30-2, 3-chome, shimomaruko, Ohta-ku,
Tokyo, Japan

(111) M 1996 3111 R2
(156) 2016 09 16
(186) 2026 09 16
(732) CANON KABUSHIKI KAISHA
30-2, 3-chome, shimomaruko, Ohta-ku,
Tokyo, Japan

(111) M 1996 3112 R2
(156) 2016 09 16
(186) 2026 09 16
(732) CANON KABUSHIKI KAISHA
30-2, 3-chome, shimomaruko, Ohta-ku,
Tokyo, Japan

(111) M 1996 3115 R2
(156) 2016 09 16
(186) 2026 09 16
(732) ANTEC INTERNATIONAL LIMITED
Chilton Industrial Estate, SUDBURY CO
106 XD, United Kingdom

(111) M 1996 3119 R2
(156) 2016 09 16
(186) 2026 09 16

(732) SABIC Global Technologies B.V.
Plasticslaan 1, 4612 PX Bergen op Zoom,
Netherlands

(111) M 1996 3120 R2
(156) 2016 09 16
(186) 2026 09 16
(732) SABIC Global Technologies B.V.
Plasticslaan 1, 4612 PX Bergen op Zoom,
Netherlands

(111) M 1996 3123 R2
(156) 2016 09 16
(186) 2026 09 16
(732) SABIC Global Technologies B.V.
Plasticslaan 1, 4612 PX Bergen op Zoom,
Netherlands

(111) M 1996 3149 R2
(156) 2016 09 17
(186) 2026 09 17
(732) LANCOME PARFUMS ET BEAUTE & Cie
29, rue du Faubourg Saint-Honore, F-75008
Paris, France

(111) M 1996 3154 R2
(156) 2016 09 17
(186) 2026 09 17
(732) LANCOME PARFUMS ET BEAUTE & Cie
29, rue du Faubourg Saint-Honore, F-75008
Paris, France

(111) M 1996 3158 R2
(156) 2016 09 17
(186) 2026 09 17
(732) LANCOME PARFUMS ET BEAUTE & Cie
29, rue du Faubourg Saint-Honore, 75008
Paris, France

(111) M 1996 3159 R2
(156) 2016 09 17
(186) 2026 09 17
(732) LANCOME PARFUMS ET BEAUTE & Cie
29, rue du Faubourg Saint-Honore, 75008
Paris, France

(111) M 1996 3161 R2
(156) 2016 09 17
(186) 2026 09 17
(732) LANCOME PARFUMS ET BEAUTE & Cie
29, rue du Faubourg Saint-Honore, F-75008
Paris, France

(111) M 1996 3163 R2
(156) 2016 09 17
(186) 2026 09 17
(732) LANCOME PARFUMS ET BEAUTE & Cie
29, rue du Faubourg Saint-Honore, 75008
Paris, France

(111) M 1996 3165 R2
(156) 2016 09 17
(186) 2026 09 17
(732) MEDA Pharma GmbH & Co. KG
Benzstrasse 1, D-61352 Bad Homburg,
Germany

(111) M 1996 3166 R2
(156) 2016 09 17
(186) 2026 09 17
(732) AVENTIS PHARMA S.A.
20, avenue Raymond Aron, 92160 Antony,
France

(111) M 1996 3167 R2
(156) 2016 09 17
(186) 2026 09 17
(732) AVENTIS PHARMA S.A.
20, avenue Raymond Aron, 92160 Antony,
France

(111) M 1996 3171 R2
(156) 2016 09 17
(186) 2026 09 17
(732) AVENTIS PHARMA S.A.
20, avenue Raymond Aron, 92160 Antony,
France

(111) M 1996 3175 R2
(156) 2016 09 17
(186) 2026 09 17
(732) E.G.O. ELEKTRO-GERATEBAU GmbH
Rote-Tor-Strasse 14, D-75038 Oberderdingen,
Germany

(111) M 1996 3182 R2
(156) 2016 09 17
(186) 2026 09 17
(732) FLUX-GERATE GmbH
45, Alte Stuttgarter Str, 70195 Stuttgart,
Germany

(111) M 1996 3184 R2
(156) 2016 09 18
(186) 2026 09 18

(732) DIVAPHARMA CHUR AG
Wiesentalstrasse 126, CH-7006 Chur,
Switzerland

(111) M 1996 3187 R2
(156) 2016 09 18
(186) 2026 09 18
(732) ROBERT BOSCH GmbH;
Abteilung ZGW, Postfach 300220, D-70442,
Stuttgart, Germany

(111) M 1996 3188 R2
(156) 2016 09 18
(186) 2026 09 18
(732) ROBERT BOSCH GmbH
Abteilung ZGW, Postfach 300220, D-70442,
Stuttgart, Germany

(111) M 1996 3189 R2
(156) 2016 09 18
(186) 2026 09 18
(732) ROBERT BOSCH GmbH
Abteilung ZGW, Postfach 300220, D-70442,
Stuttgart, Germany

(111) M 1996 3190 R2
(156) 2016 09 18
(186) 2026 09 18
(732) ROBERT BOSCH GmbH
Abteilung ZGW, Postfach 300220, D-70442,
Stuttgart, Germany

(111) M 1996 3192 R2
(156) 2016 09 18
(186) 2026 09 18
(732) ROBERT BOSCH GmbH
Abteilung ZGW, Postfach 300220, D-70442,
Stuttgart, Germany

(111) M 1996 3193 R2
(156) 2016 09 18
(186) 2026 09 18
(732) Bosch Termotechnik GmbH
Sophienstrasse 30-32 D-35576 Wetzlar,
Germany

(111) M 1996 3194 R2
(156) 2016 09 18
(186) 2026 09 18
(732) HONDA GIKEN KOGYO KABUSHIKI
KAISHA (Also trading as" HONDA
MOTOR CO.,Ltd)

1-1, 2-chome, Minami-aoyama, Minato-ku, Tokyo, Japan	(111) M 1996 3219 R2 (156) 2016 09 19 (186) 2026 09 19 (732) ROBERT BOSCH GmbH Abteilung ZGW, Postfach 300220, D-70442, Stuttgart, Germany
(111) M 1996 3195 R2 (156) 2016 09 18 (186) 2026 09 18 (732) HONDA GIKEN KOGYO KABUSHIKI KAISHA (Also trading as" HONDA MOTOR CO., Ltd") 1-1, 2-chome, Minami-aoyama, Minato-ku, Tokyo, Japan	(111) M 1996 3220 R2 (156) 2016 09 19 (186) 2026 09 19 (732) BOSCH TERMOTECHNIK GMBH Sophienstrasse 30-32 D-35576 Wetzlar, Germany
(111) M 1996 3196 R2 (156) 2016 09 18 (186) 2026 09 18 (732) HONDA GIKEN KOGYO KABUSHIKI KAISHA (Also trading as" HONDA MOTOR CO., Ltd") 1-1, 2-chome, Minami-aoyama, Minato-ku, Tokyo, Japan	(111) M 1996 3223 R2 (156) 2016 09 19 (186) 2026 09 19 (732) HONDA GIKEN KOGYO KABUSHIKI KAISHA (Also trading as" HONDA MOTOR CO., Ltd"); 1-1, 2-chome, Minami-aoyama, Minato-ku, Tokyo, Japan
(111) M 1996 3197 R2 (156) 2016 09 18 (186) 2026 09 18 (732) HONDA GIKEN KOGYO KABUSHIKI KAISHA (Also trading as" HONDA MOTOR CO., Ltd") 1-1, 2-chome, Minami-aoyama, Minato-ku, Tokyo, Japan	(111) M 1996 3242 R2 (156) 2016 09 20 (186) 2026 09 20 (732) DEVRO PLC Moodiesburn, Chryston, Glasgow G69 0JE, United Kingdom
(111) M 1996 3198 R2 (156) 2016 09 18 (186) 2026 09 18 (732) HONDA GIKEN KOGYO KABUSHIKI KAISHA (Also trading as" HONDA MOTOR CO., Ltd") 1-1, 2-chome, Minami-aoyama, Minato-ku, Tokyo, Japan	(111) M 1996 3301 R2 (156) 2016 09 24 (186) 2026 09 24 (732) L' OREAL 14 Rue Royale, 75008 Paris, France
(111) M 1996 3199 R2 (156) 2016 09 18 (186) 2026 09 18 (732) HONDA GIKEN KOGYO KABUSHIKI KAISHA (Also trading as" HONDA MOTOR CO., Ltd") 1-1, 2-chome, Minami-aoyama, Minato-ku, Tokyo, Japan	(111) M 1996 3302 R2 (156) 2016 09 24 (186) 2026 09 24 (732) L' OREAL 14 Rue Royale, 75008 Paris, France
(111) M 1996 3218 R2 (156) 2016 09 19 (186) 2026 09 19 (732) ROBERT BOSCH GmbH Abteilung ZGW, Postfach 300220, D-70442, Stuttgart, Germany	(111) M 1996 3313 R2 (156) 2016 09 24 (186) 2026 09 24 (732) RENAULT s.a.s. 92100 BOULOGNE-BILLANCOURT, France
	(111) M 1996 3325 R2 (156) 2016 09 24 (186) 2026 09 24

(732) RENAULT s.a.s.
92100 BOULOGNE-BILLANCOURT,
France

(111) M 1996 3407 R2
(156) 2016 09 30
(186) 2026 09 30
(732) L'OREAL
14, rue Royale, F-75008 Paris, France

(111) M 1996 3408 R2
(156) 2016 09 30
(186) 2026 09 30
(732) L' OREAL
14 Rue Royale, 75008 Paris, France

(111) M 1996 3411 R2
(156) 2016 09 30
(186) 2026 09 30
(732) L' OREAL
14 Rue Royale, 75008 Paris, France

(111) M 1996 3412 R2
(156) 2016 09 30
(186) 2026 09 30
(732) L'OREAL S.A.
14, rue Royale 75008 PARIS, France

(111) M 1996 3774 R2
(156) 2016 10 30
(186) 2026 10 30
(732) Nissin Foods Holdings Co., Ltd
1-1 Nishinakajima 4-chome, Yodogawa-ku,
Osaka, Japan

(111) M 1996 4068 R2
(156) 2016 11 22
(186) 2026 11 22
(732) NIKON CORPORATION
2-15-3, Konan, Minato-ku, Tokyo, Japan

(111) M 1997 4517 R2
(156) 2017 02 05
(186) 2027 02 05
(732) VAN CLEEF & ARPELS SA
8, Route de Biches, CH-1752 Villars-sur-
Glane, Switzerland

COMPLETE TRANSFER OF RIGHTS

(111) M 2002 014760 R1
(732) SAZERAC BRANDS, LLC
10400 Linn Station Road, Suite 300
Louisville, Kentucky 40223, USA
(770) SOUTHERN COMFORT PROPERTIES,
INC.
4040 Civic Center Drive, Suite 528, San
Rafael, CA 94903, USA
(580) 2016 08 26

(111) M 2007 018095 R
(732) MEDIOLANUM FARMACEUTICI S.p.A.
Via, S.G. Cottolengo 15/31, 20143 Milano,
Italy
(770) EURODRUG LABORATORIES B.V.
Laan Copes van Cattenburch 74, 2585
GD The Hague, Netherlands
(580) 2016 09 15

(111) M 1996 001830 R2
(732) KAO KABUSHIKI KAISHA
(also trading as KAO Corporation)
14-10, Nihonbashi Kaybacho 1-chome,
Chuo-ku, Tokyo, Japan
(770) KABUSHIKI KAISHA KANEBO
KESHOHIN (KANEBO COSMETICS INC)
14-10, Nihonbashi Kaybacho 1-chome,
Chuo-ku, Tokyo, Japan
(580) 2016 09 06

(111) M 2014 024682 R
(732) SAZERAC BRANDS, LLC
10400 Linn Station Road, Suite 300
Louisville, Kentucky 40223, USA
(770) SOUTHERN COMFORT PROPERTIES,
INC.
4040 Civic Center Drive, Suite 528, San
Rafael, CA 94903, USA
(580) 2016 08 26

(111) M 1995 000649 R2
(732) SAZERAC BRANDS, LLC
10400 Linn Station Road, Suite 300
Louisville, Kentucky 40223, USA
(770) SOUTHERN COMFORT PROPERTIES,
INC.
4040 Civic Center Drive, Suite 528, San
Rafael, CA 94903, USA
(580) 2016 08 26

(111) M 1997 007011 R1
(732) SAZERAC BRANDS, LLC
10400 Linn Station Road, Suite 300
Louisville, Kentucky 40223, USA
(770) SOUTHERN COMFORT PROPERTIES,
INC.
4040 Civic Center Drive, Suite 528, San
Rafael, California 94903, USA
(580) 2016 08 26

(111) M 1997 007111 R1
(732) ETONIC HOLDINGS, LLC
287 Bowman Avenue, Purchase, NY 10577,
USA
(770) ETONIC WORLDWIDE LLC
260 Charls Street, Waltham, Massachusetts,
USA
(580) 2016 08 25

(111) M 1998 009914 R1
(732) GLAXOSMITHKLINE CONSUMER
HEALTHCARE (UK) IP LIMITED
980 Great West Road, Brentford, Middlesex
TW8 9GS, United Kingdom
(770) GLAXOSMITHKLINE LLC,
CORPORATION SERVICE COMPANY
2711 Centerville Road, Suite 400,
Wilmington, Delaware 19808, USA
(580) 2016 09 16

CHANGES IN NAMES AND/OR ADDRESSES OF OWNERS

(111) M 2004 015617 R1
 (732) Biogen MA Inc.
 a Massachusetts Corporation
 250 Binney Street, Cambridge, Massachusetts
 02142, USA
 (770) BIOGEN IDEC MA, INC.
 14 Cambridge Center, Cambridge,
 Massachusetts 02142, USA
 (580) 2016 09 16

(111) M 2006 016833 R
 (732) AWI LICENSING COMPANY
 (a Delaware corporation)
 1105 North Market Street, Suite 1300,
 Wilmington, Delaware 19801, USA
 (770) AWI LICENSING COMPANY
 (a Delaware corporation)
 802 West Street, Wilmington, Delaware
 19801, USA
 (580) 2016 09 16

(111) M 2006 016925 R
 (732) GRIFOLS WORLDWIDE OPERATIONS
 LIMITED
 GRANGE CASTLE BUSINESS PARK,
 GRANGE CASTLE, CLONDALKIN,
 DUBLIN 22, Ireland
 (770) GRIFOLS WORLDWIDE OPERATIONS
 LIMITED
 EMBASSY HOUSE, BALLSBRIDGE,
 DUBLIN 4, Ireland
 (580) 2016 08 25

(111) M 2007 018011 R
 (732) BIOGEN MA INC.
 a Massachusetts Corporation
 250 Binney Street, Cambridge, Massachusetts
 02142, USA
 (770) BIOGEN IDEC MA INC.
 14 Cambridge Center, Cambridge,
 Massachusetts 02142, USA
 (580) 2016 09 16

(111) M 1996 001830 R2
 (732) KABUSHIKI KAISHA KANEBO
 KESHOHIN (KANEBO COSMETICS INC)
 14-10, Nihonbashi Kaybacho 1-chome,
 Chuo-ku, Tokyo, Japan
 (770) KABUSHIKI KAISHA KANEBO
 KESHOHIN (KANEBO COSMETICS INC)
 11-2, Toranomom 5-chome, Minato-ku,
 Tokyo, Japan

(580) 2016 09 06

(111) M 2009 019490 R
 (732) BIOGEN MA INC.
 a Massachusetts Corporation,
 250 Binney Street, Cambridge, Massachusetts
 02142, USA
 (770) BIOGEN IDEC MA INC.
 a Massachusetts Corporation
 14 Cambridge Center, Cambridge,
 Massachusetts 02142, USA
 (580) 2016 09 16

(111) M 2009 019491 R
 (732) BIOGEN MA INC.
 a Massachusetts Corporation
 250 Binney Street, Cambridge, Massachusetts
 02142, USA
 (770) BIOGEN IDEC MA INC.
 a Massachusetts Corporation
 14 Cambridge Center, Cambridge,
 Massachusetts 02142, USA
 (580) 2016 09 16

(111) M 2009 019554 R
 (732) BIOGEN MA INC.
 a Massachusetts Corporation
 250 Binney Street, Cambridge, Massachusetts
 02142, USA
 (770) BIOGEN IDEC MA INC.
 a Massachusetts Corporation
 14 Cambridge Center, Cambridge,
 Massachusetts 02142, USA
 (580) 2016 09 16

(111) M 2009 019555 R
 (732) BIOGEN MA INC.
 a Massachusetts Corporation
 250 Binney Street, Cambridge, Massachusetts
 02142, USA
 (770) BIOGEN IDEC MA INC.
 a Massachusetts Corporation
 14 Cambridge Center, Cambridge,
 Massachusetts 02142, USA
 (580) 2016 09 16

(111) M 2009 019556 R
 (732) BIOGEN MA INC.
 a Massachusetts Corporation
 250 Binney Street, Cambridge, Massachusetts
 02142, USA

(770) BIOGEN IDEC MA INC.
 a Massachusetts Corporation
 14 Cambridge Center, Cambridge,
 Massachusetts 02142, USA
 (580) 2016 09 16

(111) M 2009 019687 R
 (732) ENERGYBEVERAGES LLC
 a Delaware Limited Liability company
 2329 Anselmo Drive, Corona, California
 92879, USA
 (770) ENERGYBEVERAGES LLC
 a Delaware Limited Liability company
 1 Monster Way, Corona, California 92879,
 USA
 (580) 2016 08 26

(111) M 2009 019688 R
 (732) ENERGYBEVERAGES LLC
 a Delaware Limited Liability company
 2329 Anselmo Drive, Corona, California
 92879, USA
 (770) ENERGYBEVERAGES LLC
 a Delaware Limited Liability company
 1 Monster Way, Corona, California 92879,
 USA
 (580) 2016 08 26

(111) M 2009 019953 R
 (732) ENERGYBEVERAGES LLC
 a Delaware Limited Liability company
 2329 Anselmo Drive, Corona, California
 92879,
 USA
 (770) ENERGYBEVERAGES LLC
 a Delaware Limited Liability company,
 1 Monster Way, Corona, California 92879,
 USA
 (580) 2016-08-26

(111) M 2010 020157 R
 (732) BIOGEN MA INC.
 A MASSACHUSETTS CORPORATION
 250 Binney Street, Cambridge, Massachusetts
 02142, USA
 (770) BIOGEN IDEC MA INC.
 14 Cambridge Center, Cambridge,
 Massachusetts 02142, USA
 (580) 2016 09 16

(111) M 2010 020158 R
 (732) BIOGEN MA INC.
 a Massachusetts Corporation
 250 Binney Street, Cambridge, Massachusetts
 02142, USA

(770) BIOGEN IDEC MA INC.
 14 Cambridge Center, Cambridge,
 Massachusetts 02142, USA
 (580) 2016 09 16

(111) M 2010 020772 R
 (732) BIOGEN MA INC.
 a Massachusetts Corporation
 250 Binney Street, Cambridge, Massachusetts
 02142, USA
 (770) BIOGEN IDEC MA INC.
 a Massachusetts Corporation
 14 Cambridge Center, Cambridge,
 Massachusetts 02142, USA
 (580) 2016 09 16

(111) M 2010 020807 R
 (732) BIOGEN MA INC.
 a Massachusetts Corporation
 250 Binney Street, Cambridge, Massachusetts
 02142, USA
 (770) BIOGEN IDEC MA INC.
 a Massachusetts Corporation
 14 Cambridge Center, Cambridge,
 Massachusetts 02142, USA
 (580) 2016 09 16

(111) M 2011 021194 R
 (732) ENERGYBEVERAGES LLC
 a Delaware Limited Liability company
 2329 Anselmo Drive, Corona, California
 92879, USA
 (770) ENERGYBEVERAGES LLC
 a Delaware Limited Liability company
 1 Monster Way, Corona, California 92879,
 USA
 (580) 2016 08 26

(111) M 2013 023317 R
 (732) BIOGEN MA INC.
 a Massachusetts Corporation
 250 Binney Street, Cambridge, Massachusetts
 02142, USA
 (770) BIOGEN IDEC MA INC.
 a Massachusetts Corporation
 14 Cambridge Center, Cambridge,
 Massachusetts 02142, USA
 (580) 2016 09 16

(111) M 2013 023318 R
 (732) BIOGEN MA INC.
 a Massachusetts Corporation
 250 Binney Street, Cambridge, Massachusetts
 02142, USA

(770) BIOGEN IDEC MA INC.
a Massachusetts Corporation
14 Cambridge Center, Cambridge,
Massachusetts 02142, USA
(580) 2016 09 16

(111) M 2013 023320 R
(732) BIOGEN MA INC.
a Massachusetts Corporation
250 Binney Street, Cambridge, Massachusetts
02142, USA
(770) BIOGEN IDEC MA INC.
a Massachusetts Corporation
14 Cambridge Center, Cambridge,
Massachusetts 02142, USA
(580) 2016 09 16

(111) M 2013 023321 R
(732) BIOGEN MA INC.
a Massachusetts Corporation
250 Binney Street, Cambridge, Massachusetts
02142, USA
(770) BIOGEN IDEC MA INC.
a Massachusetts Corporation
14 Cambridge Center, Cambridge,
Massachusetts 02142, USA
(580) 2016 09 16

(111) M 2013 023323 R
(732) BIOGEN MA INC.
a Massachusetts Corporation
250 Binney Street, Cambridge, Massachusetts
02142, USA
(770) BIOGEN IDEC MA INC.
a Massachusetts Corporation
14 Cambridge Center, Cambridge,
Massachusetts 02142, USA
(580) 2016 09 16

(111) M 2014 024621 R
(732) BIOGEN MA INC.
a Massachusetts Corporation
250 Binney Street, Cambridge, Massachusetts
02142, USA
(770) BIOGEN IDEC MA INC.
a Massachusetts Corporation
14 Cambridge Center, Cambridge,
Massachusetts 02142, USA
(580) 2016 09 16

(111) M 2014 024703 R
(732) BIOGEN MA INC.
a Massachusetts Corporation
250 Binney Street, Cambridge, Massachusetts
02142, USA

(770) BIOGEN IDEC MA INC.
a Massachusetts Corporation
14 Cambridge Center, Cambridge,
Massachusetts 02142, USA
(580) 2016 09 16

(111) M 2014 025063 R
(732) BIOGEN MA INC.
a Massachusetts Corporation
250 Binney Street, Cambridge, Massachusetts
02142, USA
(770) BIOGEN IDEC MA INC.
a Massachusetts Corporation
14 Cambridge Center, Cambridge,
Massachusetts 02142, USA
(580) 2016 09 16

(111) M 2014 025073 R
(732) BIOGEN MA INC.
a Massachusetts Corporation
250 Binney Street, Cambridge, Massachusetts
02142, USA
(770) BIOGEN IDEC MA INC.
a Massachusetts Corporation
14 Cambridge Center, Cambridge,
Massachusetts 02142, USA
(580) 2016 09 16

(111) M 2014 025118 R
(732) JSC "PERMALKO"
614990, q. perm, ul. Okulova, d.73, Russian
Federation
(770) ОАО "ПЕРМАЛКО"
г. Пермь, ул. Окулова, д. 73, Russian
Federation
(580) 2016 08 26

(111) M 2014 025144 R
(732) BIOGEN MA INC.
a Massachusetts Corporation
250 Binney Street, Cambridge, Massachusetts
02142, USA
(770) BIOGEN IDEC MA INC.
a Massachusetts Corporation
14 Cambridge Center, Cambridge,
Massachusetts 02142, USA
(580) 2016 09 16

(111) M 2015 025680 R
(732) BIOGEN MA INC.
a Massachusetts Corporation
250 Binney Street, Cambridge, Massachusetts
02142, USA
(770) BIOGEN IDEC MA INC.

a Massachusetts Corporation
14 Cambridge Center, Cambridge,
Massachusetts 02142, USA
(580) 2016 09 16

(111) M 1996 002684 R2
(732) GEDUMA S.A.
1, rue Jean Piret, L-2350, Luxembourg,
Luxembourg
(770) GEDUMA S.A.
5 Boulevard de la Foire, L-1528,
Luxembourg
(580) 2016 09 15

(111) M 1996 002994 R2
(732) SEMPERIT REIFEN GESELLSCHAFT
MBH
Triester. Str. 14, 2351 Wiener Neudorf,
Austria
(770) SEMPERIT REIFEN GESELLSCHAFT
MBH
Wienersdorfer Strasse 20-24, 2514
Traiskirchen, Austria
(580) 2016 08 25

(111) M 1996 003141 R1
(732) LCS INTERNATIONAL SAS
19 Rue Icare, Aéroparc 1-67960 Entzheim,
France
(770) LCS INTERNATIONAL B.V.
Thomas Mannsplaats 311, 3069 NJ
ROTTERDAM, Netherlands
(580) 2016 09 16

(111) M 1996 003142 R1
(732) LCS INTERNATIONAL SAS
19 Rue Icare, Aéroparc 1-67960 Entzheim,
France
(770) LCS INTERNATIONAL B.V.
Thomas Mannsplaats 311, 3069 NJ
ROTTERDAM, Netherlands
(580) 2016 09 16

(111) M 1996 003591 R2
(732) MAGNA STEYR AG & CO KG
Liebenauer Hauptstrasse 317, 8041 Graz,
Austria
(770) MAGNA STEYR AG & CO. KG
Magna-Strasse 1, 2522 Oberwaltersdorf,
Austria
(580) 2016 09 15

(111) M 1997 004361 R1
(732) COTT BEVERAGES INC.
A GEORGIA CORPORATION
4211 W. Boy Scout Blvd., Corporate Center
II, Tampa, Florida 33607, USA
(770) COTT BEVERAGES INC.
A GEORGIA CORPORATION
5405 Cypress Center Drive, Suite 100,
Tampa, Florida USA 33069, USA
(580) 2016 09 15

(111) M 1997 004361 R1
(732) COTT BEVERAGES INC.
A GEORGIA CORPORATION
5519 West Idlewild Avenue, Tampa, Florida
33634-8016, USA
(770) COTT BEVERAGES INC.
A GEORGIA CORPORATION
4211 W. Boy Scout Blvd., Corporate Center
II, Tampa, Florida 33607, USA
(580) 2016 09 15

(111) M 1997 004362 R1
(732) COTT BEVERAGES INC.
A GEORGIA CORPORATION
4211 W. Boy Scout Blvd., Corporate Center
II, Tampa, Florida 33607, USA
(770) COTT BEVERAGES INC.
A GEORGIA CORPORATION
5405 Cypress Center Drive, Suite 100,
Tampa, Florida USA 33069, USA
(580) 2016 09 15

(111) M 1997 004362 R1
(732) COTT BEVERAGES INC.
A GEORGIA CORPORATION
5519 West Idlewild Avenue, Tampa,
Florida 33634-8016, USA
(770) COTT BEVERAGES INC.
A GEORGIA CORPORATION
4211 W. Boy Scout Blvd., Corporate Center
II, Tampa, Florida 33607, USA
(580) 2016 09 15

(111) M 1997 004969 R1
(732) BIOGEN MA INC.
a Massachusetts Corporation
250 Binney Street, Cambridge, Massachusetts
02142, USA
(770) BIOGEN IDEC MA, INC.
14 Cambridge Center, Cambridge,
Massachusetts 02142, USA
(580) 2016 09 16

INVALIDATION OF TRADEMARKS REGISTRATION

(111) M 1996 1396 R1
 (141) 2006 01 31, Not payment for prolongation of registration on the following of 10 years
 (732) LTD "KAUKAZAN"
 Dzmebi Kakabadzebis q.3, Tbilisi, Georgia

(111) M 1996 1433 R1
 (141) 2006 02 02, Not payment for prolongation of registration on the following of 10 years
 (732) PHILIP MORRIS BRANDS SARL
 Quai Jeanrenaud 3, 2000 Neuchâtel, Switzerland

(111) M 1996 1435 R1
 (141) 2006 02 02 Not payment for prolongation of registration on the following of 10 years
 (732) PHILIP MORRIS BRANDS SARL
 Quai Jeanrenaud 3, 2000 Neuchâtel, Switzerland

(111) M 1996 1437 R1
 (141) 2006 08 02, Not payment for prolongation of registration on the following of 10 years
 (732) TORF ESTABLISHMENT
 Stadtle 36 FL-9490 Vaduz Liechtenstein, Liechtenstein

(111) M 1996 1442 R1
 (141) 2006 02 07 Not payment for prolongation of registration on the following of 10 years
 (732) PHILIP MORRIS PRODUCTS S.A.
 Quai Jeanrenaud 3, 2000 NEUCHATEL, Switzerland

(111) M 1996 1443 R1
 (141) 2006 02 07, Not payment for prolongation of registration on the following of 10 years
 (732) PHILIP MORRIS PRODUCTS S.A.
 Quai Jeanrenaud 3, 2000 NEUCHATEL, Switzerland

(111) M 1996 1444 R1
 (141) 2006 02 07, Not payment for prolongation of registration on the following of 10 years
 (732) PHILIP MORRIS BRANDS SARL
 Quai Jeanrenaud 3, 2000 Neuchâtel, Switzerland

(111) M 1996 1445 R1
 (141) 2006 08 07, Not payment for prolongation of registration on the following of 10 years
 (732) PHILIP MORRIS PRODUCTS S.A.
 Quai Jeanrenaud 3, 2000 NEUCHATEL, Switzerland

(111) M 1996 1446 R1
 (141) 2006 08 07, Not payment for prolongation of registration on the following of 10 years
 (732) PHILIP MORRIS BELGIUM S.A.
 189 chausse de la Hulpe, 1170 Bruxelles, Belgium

(111) M 1996 1447 R1
 (141) 2006 02 07, Not payment for prolongation of registration on the following of 10 years
 (732) PHILIP MORRIS BRANDS SARL
 Quai Jeanrenaud 3, 2000 Neuchâtel, Switzerland

(111) M 1996 1448 R1
 (141) 2006 02 07, Not payment for prolongation of registration on the following of 10 years
 (732) PHILIP MORRIS BRANDS SARL
 Quai Jeanrenaud 3, 2000 Neuchâtel, Switzerland

(111) M 1996 1449 R1
 (141) 2006 02 07, Not payment for prolongation of registration on the following of 10 years
 (732) PHILIP MORRIS BRANDS SARL
 Quai Jeanrenaud 3, 2000 Neuchâtel, Switzerland

(111) M 1996 1450 R1
 (141) 2006 02 07, Not payment for prolongation of registration on the following of 10 years
 (732) PHILIP MORRIS BRANDS SARL
 Quai Jeanrenaud 3, 2000 Neuchâtel, Switzerland

(111) M 1996 1451 R1
 (141) 2006 02 07, Not payment for prolongation of registration on the following of 10 years
 (732) PHILIP MORRIS BRANDS SARL
 Quai Jeanrenaud 3, 2000 Neuchâtel, Switzerland

(111) M 1996 1452 R1
(141) 2006 08 07, Not payment for prolongation of registration on the following of 10 years
(732) PHILIP MORRIS BELGIUM S.A.
189 chaussée de la Hulpe, 1170 Bruxelles, Belgium

(111) M 1996 1453 R1
(141) 2006 02 07, Not payment for prolongation of registration on the following of 10 years
(732) PHILIP MORRIS BRANDS SARL
Quai Jeanrenaud 3, 2000 Neuchâtel, Switzerland

(111) M 1996 1454 R1
(141) 2006 02 07, Not payment for prolongation of registration on the following of 10 years
(732) PHILIP MORRIS BRANDS SARL
Quai Jeanrenaud 3, 2000 Neuchâtel, Switzerland

(111) M 1996 1455 R1
(141) 2006 02 07, Not payment for prolongation of registration on the following of 10 years
(732) PHILIP MORRIS BRANDS SARL
Quai Jeanrenaud 3, 2000 Neuchâtel, Switzerland

(111) M 1996 1456 R1
(141) 2006 02 07, Not payment for prolongation of registration on the following of 10 years
(732) PHILIP MORRIS BRANDS SARL
Quai Jeanrenaud 3, 2000 Neuchâtel, Switzerland

(111) M 1996 1457 R1
(141) 2006 02 07, Not payment for prolongation of registration on the following of 10 years
(732) PMPI LLC
Hunton & Williams, 951 East Byrd Street, Richmond, VA 23219, USA

(111) M 1996 1459 R1
(141) 2006 08 08, Not payment for prolongation of registration on the following of 10 years
(732) PHILIP MORRIS BRANDS SARL
Quai Jeanrenaud 3, 2000 Neuchâtel, Switzerland

(111) M 1996 1461 R1
(141) 2006 08 08, Not payment for prolongation of registration on the following of 10 years
(732) PHILIP MORRIS BRANDS SARL

Quai Jeanrenaud 3, 2000 Neuchâtel, Switzerland

(111) M 1996 1465 R1
(141) 2006 02 07, Not payment for prolongation of registration on the following of 10 years
(732) PHILIP MORRIS PRODUCTS INC.
3601 Commerce Road, RICHMOND, Virginia 23234, USA

(111) M 1996 1467 R1
(141) 2006 08 08, Not payment for prolongation of registration on the following of 10 years
(732) TORF ESTABLISHMENT
Stadtle 36 FL-9490 Vaduz Liechtenstein, Liechtenstein

(111) M 1996 1470 R1
(141) 2006 02 07, Not payment for prolongation of registration on the following of 10 years
(732) PMPI LLC
Hunton & Williams, 951 East Byrd Street, Richmond, VA 23219, USA

(111) M 1996 1471 R1
(141) 2006 02 07, Not payment for prolongation of registration on the following of 10 years
(732) PMPI LLC
Hunton & Williams, 951 East Byrd Street, Richmond, VA 23219, USA

(111) M 1996 1481 R1
(141) 2006 02 07, Not payment for prolongation of registration on the following of 10 years
(732) BAYER AG
D-51368 Leverkusen, Germany

(111) M 1996 1486 R1
(141) 2006 02 07, Not payment for prolongation of registration on the following of 10 years
(732) BAYER INTELLECTUAL PROPERTY GMBH
Alfred-Nobel-Strasse 10, 40789 Monheim am Rhein, Germany

(111) M 1996 1493 R1
(141) 2006 02 08, Not payment for prolongation of registration on the following of 10 years
(732) BAYER INTELLECTUAL PROPERTY GMBH
Alfred-Nobel-Strasse 10, 40789 Monheim am Rhein, Germany

(111) M 1996 1496 R1
(141) 2006 02 08, Not payment for prolongation of registration on the following of 10 years
(732) BAYER INTELLECTUAL PROPERTY GMBH
Alfred-Nobel-Strasse 10, 40789 Monheim am Rhein, Germany

(111) M 1996 1500 R1
(141) 2006 02 08, Not payment for prolongation of registration on the following of 10 years
(732) BAYER AG
D-51368 Leverkusen, Germany

(111) M 1996 1516 R1
(141) 2006 02 14, Not payment for prolongation of registration on the following of 10 years
(732) BAYER AG
D-51368 Leverkusen, Germany

(111) M 1996 1520 R1
(141) 2006 02 14, Not payment for prolongation of registration on the following of 10 years
(732) SHELL BRANDS INTERNATIONAL AG
Baarermatte, 6340 Baar, Switzerland

(111) M 1996 1521 R1
(141) 2006 02 14, Not payment for prolongation of registration on the following of 10 years
(732) SHELL BRANDS INTERNATIONAL AG
Baarermatte, 6340 Baar, Switzerland

(111) M 1996 1522 R1
(141) 2006 02 14, Not payment for prolongation of registration on the following of 10 years
(732) SHELL BRANDS INTERNATIONAL AG
Baarermatte, 6340 Baar, Switzerland

(111) M 1996 1523 R1
(141) 2006 02 14, Not payment for prolongation of registration on the following of 10 years
(732) SHELL BRANDS INTERNATIONAL AG
Baarermatte, 6340 Baar, Switzerland

(111) M 1996 1528 R1
(141) 2006-08-15, Not payment for prolongation of registration on the following of 10 years
(732) SHELL BRANDS INTERNATIONAL AG
Baarermatte, 6340 Baar, Switzerland

(111) M 1996 1529 R1
(141) 2006 02 14, Not payment for prolongation of registration on the following of 10 years

(732) SHELL BRANDS INTERNATIONAL AG
Baarermatte, 6340 Baar, Switzerland

(111) M 1996 1530 R1
(141) 2006 02 14, Not payment for prolongation of registration on the following of 10 years
(732) SHELL BRANDS INTERNATIONAL AG
Baarermatte, 6340 Baar, Switzerland

(111) M 1996 1531 R1
(141) 2006 02 14, Not payment for prolongation of registration on the following of 10 years
(732) SHELL BRANDS INTERNATIONAL AG
Baarermatte, 6340 Baar, Switzerland

(111) M 1996 1535 R1
(141) 2006 02 14, Not payment for prolongation of registration on the following of 10 years
(732) SHELL BRANDS INTERNATIONAL AG
Baarermatte, 6340 Baar, Switzerland

(111) M 1996 1536 R1
(141) 2006 02 14, Not payment for prolongation of registration on the following of 10 years
(732) SHELL BRANDS INTERNATIONAL AG
Baarermatte, 6340 Baar, Switzerland

(111) M 1996 1537 R1
(141) 2006 02 14, Not payment for prolongation of registration on the following of 10 years
(732) SHELL BRANDS INTERNATIONAL AG
Baarermatte, 6340 Baar, Switzerland

(111) M 1996 1538 R1
(141) 2006 02 14, Not payment for prolongation of registration on the following of 10 years
(732) SHELL BRANDS INTERNATIONAL AG
Baarermatte, 6340 Baar, Switzerland

(111) M 1996 1540 R1
(141) 2006 02 14, Not payment for prolongation of registration on the following of 10 years
(732) SHELL BRANDS INTERNATIONAL AG
Baarermatte, 6340 Baar, Switzerland

(111) M 1996 1542 R1
(141) 2006 02 14, Not payment for prolongation of registration on the following of 10 years
(732) SHELL BRANDS INTERNATIONAL AG
Baarermatte, 6340 Baar, Switzerland

(111) M 1996 1543 R1
(141) 2006 02 14, Not payment for prolongation of registration on the following of 10 years
(732) SHELL BRANDS INTERNATIONAL AG
Baarermatte, 6340 Baar, Switzerland

(111) M 1996 1544 R1
(141) 2006 02 14, Not payment for prolongation of registration on the following of 10 years
(732) SHELL BRANDS INTERNATIONAL AG
Baarermatte, 6340 Baar, Switzerland

(111) M 1996 1545 R1
(141) 2006 02 15, Not payment for prolongation of registration on the following of 10 years
(732) SHELL BRANDS INTERNATIONAL AG
Baarermatte, 6340 Baar, Switzerland

(111) M 1996 1547 R1
(141) 2006 02 15, Not payment for prolongation of registration on the following of 10 years
(732) SHELL BRANDS INTERNATIONAL AG
Baarermatte, 6340 Baar, Switzerland

(111) M 1996 1548 R1
(141) 2006 02 15, Not payment for prolongation of registration on the following of 10 years
(732) SHELL BRANDS INTERNATIONAL AG
Baarermatte, 6340 Baar, Switzerland

(111) M 1996 1550 R1
(141) 2006 02 15, Not payment for prolongation of registration on the following of 10 years
(732) SHELL BRANDS INTERNATIONAL AG
Baarermatte, 6340 Baar, Switzerland

(111) M 1996 1551 R1
(141) 2006 02 15, Not payment for prolongation of registration on the following of 10 years
(732) SHELL BRANDS INTERNATIONAL AG
Baarermatte, 6340 Baar, Switzerland

(111) M 1996 1552 R1
(141) 2006 02 15, Not payment for prolongation of registration on the following of 10 years
(732) SHELL BRANDS INTERNATIONAL AG
Baarermatte, 6340 Baar, Switzerland

(111) M 1996 1555 R1
(141) 2006 02 15, Not payment for prolongation of registration on the following of 10 years

(732) SHELL BRANDS INTERNATIONAL AG
Baarermatte, 6340 Baar, Switzerland

(111) M 1996 1556 R1
(141) 2006 02 15 Not payment for prolongation of registration on the following of 10 years
(732) SHELL BRANDS INTERNATIONAL AG
Baarermatte, 6340 Baar, Switzerland

(111) M 1996 1562 R1
(141) 2006 02 21, Not payment for prolongation of registration on the following of 10 years
(732) NOVO NORDISK A/S
Novo Alle, DK-2880 Bagsvaerd, Denmark

(111) M 1996 1566 R1
(141) 2006 02 21, Not payment for prolongation of registration on the following of 10 years
(732) NOVO NORDISK A/S
Novo Alle, DK-2880 Bagsvaerd, Denmark

(111) M 1996 1573 R1
(141) 2006 02 21, Not payment for prolongation of registration on the following of 10 years
(732) SHELL BRANDS INTERNATIONAL AG
Baarermatte, 6340 Baar, Switzerland

(111) M 1996 1575 R1
(141) 2006 02 21, Not payment for prolongation of registration on the following of 10 years
(732) SHELL BRANDS INTERNATIONAL AG
Baarermatte, 6340 Baar, Switzerland

(111) M 1996 1576 R1
(141) 2006 02 21, Not payment for prolongation of registration on the following of 10 years
(732) SHELL BRANDS INTERNATIONAL AG
Baarermatte, 6340 Baar, Switzerland

(111) M 1996 1577 R1
(141) 2006 02 21, Not payment for prolongation of registration on the following of 10 years
(732) SHELL BRANDS INTERNATIONAL AG
Baarermatte, 6340 Baar, Switzerland

(111) M 1996 1578 R1
(141) 2006 02 21, Not payment for prolongation of registration on the following of 10 years
(732) SHELL BRANDS INTERNATIONAL AG
Baarermatte, 6340 Baar, Switzerland

(111) M 1996 1583 R1
(141) 2006 02 21, Not payment for prolongation of registration on the following of 10 years
(732) SHELL BRANDS INTERNATIONAL AG
Baarermatte, 6340 Baar, Switzerland

(111) M 1996 1584 R1
(141) 2006 02 21, Not payment for prolongation of registration on the following of 10 years
(732) BEYER INTELLECTUAL PROPERTY GMBH
Alfred-Nobel-Strasse 10, 40789 Monheim am Rhein, Germany

(111) M 1996 1587 R1
(141) 2006 02 21, Not payment for prolongation of registration on the following of 10 years
(732) ALTADIS S.A.
Eloy Gonzalo 10, 28010 Madrid, Spain

(111) M 1996 1588 R1
(141) 2006 02 21, Not payment for prolongation of registration on the following of 10 years
(732) PERNOD RICARD
12, Place des Etats-Unis, 75016 Paris, France

(111) M 1996 1590 R1
(141) 2006 02 21, Not payment for prolongation of registration on the following of 10 years
(732) SCHWAN STABILO SCHWANHAUSSER GmbH & Co. KG
Schwanweg No 1, D-90562 Heroldsberg, Germany

(111) M 1996 1592 R1
(141) 2006 02 23, Not payment for prolongation of registration on the following of 10 years
(732) SCHWAN STABILO SCHWANHAUSSER GmbH & Co. KG
Schwanweg No 1, D-90562 Heroldsberg, Germany

(111) M 1996 1597 R1
(141) 2006 02 23, Not payment for prolongation of registration on the following of 10 years
(732) DIVAPHARMA CHUR AG
Wiesentalstrasse 126, CH-7006 Chur, Switzerland

(111) M 1996 1600 R1
(141) 2006 02 23, Not payment for prolongation of registration on the following of 10 years

(732) BAYER S.A.S.
16, rue Jean-Marie Leclair, 69009 Lyon, France

(111) M 1996 1601 R1
(141) 2006 03 23, Not payment for prolongation of registration on the following of 10 years
(732) GOEDECKE AKTIENGESELLSCHAFT
16, Salzufer, D-10587 Berlin, Germany

(111) M 1996 1609 R1
(141) 2006 02 28, Not payment for prolongation of registration on the following of 10 years
(732) FESTINA LOTUS, S.A.
Via Layetana, 20-4, ES-08 003
BARCELONA, Spain

(111) M 1996 1610 R1
(141) 2006 08 28, Not payment for prolongation of registration on the following of 10 years
(732) TARKETT AG
Nachweideweng 1-7, 67227 Frankenthal, Germany

(111) M 1996 1615 R1
(141) 2006 02 28, Not payment for prolongation of registration on the following of 10 years
(732) PFIZER MANUFACTURING DEUTSCHLAND GMBH
Heinrich-Mack-Strasse, 35 D-89257 Illertissen, Germany

(111) M 1996 1623 R1
(141) 2006 02 28, Not payment for prolongation of registration on the following of 10 years
(732) E.G.O. ELEKTRO-GERATEBAU GmbH
Rote-Tor-Strasse 14, D-75038 Oberderdingen, Germany

(111) M 2006 16424 R
(141) 2016 07 18, Not payment for prolongation of registration on the following of 10 years
(732) LTD "SABA ART GRUP"
Budapeshtis q.7, 0160, Tbilisi, Georgia

(111) M 2006 16426 R
(141) 2016 07 18, Not payment for prolongation of registration on the following of 10 years
(732) GEORGIA-PACIFIC S.a.r.l.
25, route d'Esch, L-1470, Luxembourg

(111) M 1996 1643 R
(141) 2006 08 31, Not payment for prolongation of registration on the following of 10 years
(732) ASTELLAS PHARMA INC.
3-11, Nihonbashi-Honcho 2-Chome, Chuo-ku, Tokyo, Japan

(111) M 2006 16430 R
(141) 2016 07 18, Not payment for prolongation of registration on the following of 10 years
(732) Societe Nationale d'Exploitation Industrielle des Tabacs et Allumettes (SEITA)
182/188 Avenue de France, 75639 Paris, Cedex 13, France

(111) M 2006 16438 R
(141) 2016 08 01, Not payment for prolongation of registration on the following of 10 years
(732) LTD "MEGA-ALCO-GROUP"
140152 Moskow region, Ramenskiy raion, Celo Kuznetsovo, Russian Federation

(111) M 2006 16439 R
(141) 2016 08 01, Not payment for prolongation of registration on the following of 10 years
(732) LTD "IRAO KONSALTINGI"
Vazha-Pshavelas me-7 kv., I korp. b. 44, 0186, Tbilisi, Georgia

(111) M 2006 16440 R
(141) 2016 08 01, Not payment for prolongation of registration on the following of 10 years
(732) LTD "GEO FITNES"
Ilia Chavchavadzis gamz., 49b, 0162, Tbilisi, Georgia

(111) M 2006 16441 R
(141) 2016 08 01, Not payment for prolongation of registration on the following of 10 years
(732) KOÇ HOLDING A.Ş.
Azizbey Sokak No:1, 81207 KUZGUNCUK, Istanbul, Turkey

(111) M 2006 16444 R
(141) 2016 08 01, Not payment for prolongation of registration on the following of 10 years
(732) PHARMASOFT HOLDINGS LIMITED
Egypt Street,12, P.C. 1097, Nicosia, Cyprus

(111) M 2006 16445 R
(141) 2016 08 01, Not payment for prolongation of registration on the following of 10 years

(732) PHARMASOFT HOLDINGS LIMITED
Egypt Street,12, P.C. 1097, Nicosia, Cyprus

(111) M 2006 16446 R
(141) 2016 08 01, Not payment for prolongation of registration on the following of 10 years
(732) PHARMASOFT HOLDINGS LIMITED
Egypt Street,12, P.C. 1097, Nicosia, Cyprus

(111) M 2006 16446P R
(141) 2016 08 01, Not payment for prolongation of registration on the following of 10 years
(732) Obshchestvo s ogranichennoi otvetstvennostiu "EKO FARMINVEST"
Ostapovskii pr-d, d.5, str.6, 109316, Moskva, Russian Federation

(111) M 2006 16447 R
(141) 2016 08 17, Not payment for prolongation of registration on the following of 10 years
(732) LTD "SANTE GMT PRODUCTS"
Kakhetis gzat. me-10 km, 0182, Tbilisi, Georgia

(111) M 2006 16448 R
(141) 2016 08 17, Not payment for prolongation of registration on the following of 10 years
(732) LTD "SANTE GMT PRODUCTS"
Kakhetis gzat. me-10 km, 0182, Tbilisi, Georgia

(111) M 2006 16450 R
(141) 2016 08 17, Not payment for prolongation of registration on the following of 10 years
(732) BIOFARM Sp. zo.o.
ul. Walbrzyska 13, 60-198 Poznań, Poland

(111) M 2006 16451 R
(141) 2016 08 17, Not payment for prolongation of registration on the following of 10 years
(732) BIOFARM Sp. zo.o.
ul. Walbrzyska 13, 60-198 Poznań, Poland

(111) M 2006 16452 R
(141) 2016 08 17, Not payment for prolongation of registration on the following of 10 years
(732) BIOFARM Sp. zo.o.
ul. Walbrzyska 13, 60-198 Poznań, Poland

(111) M 2006 16453 R
(141) 2016 08 17, Not payment for prolongation of registration on the following of 10 years

(732) BIOFARM Sp. zo.o.
ul. Walbrzyska 13, 60-198 Poznań, Poland

(111) M 2006 16456 R
(141) 2016 08 17, Not payment for prolongation of registration on the following of 10 years
(732) E.I. DU PONT de NEMOURS and COMPANY
1007 Market Street, Wilmington, Delaware 19898, USA

(111) M 2006 16458 R
(141) 2016 08 17, Not payment for prolongation of registration on the following of 10 years
(732) E.I. DU PONT de NEMOURS and COMPANY
1007 Market Street, Wilmington, Delaware 19898, USA

(111) M 2006 16461 R
(141) 2016 08 17, Not payment for prolongation of registration on the following of 10 years
(732) IMPERIAL TOBACCO LIMITED
P.O. Box 244, Southville BRISTOL, BS99 7UJ, United Kingdom

(111) M 2006 16462 R
(141) 2016 08 17, Not payment for prolongation of registration on the following of 10 years
(732) LTD "TFILISIS MARANI"
Faliashvilis q. 33, b.6, 0179, Tbilisi, Georgia

(111) M 2006 16472 R
(141) 2016 08 17, Not payment for prolongation of registration on the following of 10 years
(732) SMITHKLINE BEECHAM PLC
980 Great West Road, Brentford, Middlesex TW8 9GS, United Kingdom

(111) M 2006 16473 R
(141) 2016 08 17, Not payment for prolongation of registration on the following of 10 years
(732) SMITHKLINE BEECHAM PLC
980 Great West Road, Brentford, Middlesex TW8 9GS, United Kingdom

(111) M 2006 16474 R
(141) 2016 08 17, Not payment for prolongation of registration on the following of 10 years
(732) LTD "DZVELI SAKHLI"
Marjvena sanapiro 3, 0105, Tbilisi, Georgia

(111) M 2006 16475 R
(141) 2016 08 17 Not payment for prolongation of registration on the following of 10 years
(732) TORREFAZIONE IONIA S.p.A.
95014 Giarre (CT) Viale Don Minzoni, 34, Italy

(111) M 2006 16477 R
(141) 2016 08 17, Not payment for prolongation of registration on the following of 10 years
(732) LTD "SHROSHANI"
Iosebidsis q. 53, b.38, 0160, Tbilisi, Georgia

(111) M 1996 1648 R1
(141) 2006 02 28, Not payment for prolongation of registration on the following of 10 years
(732) ANVIL KNITWEAR, INC.
228 East 45th Street, New York, New York 10017, USA

(111) M 2006 16484 R
(141) 2016 08 17, Not payment for prolongation of registration on the following of 10 years
(732) Kent Gida Maddeleri Sanay ve Ticaret Anonim Şirket
Cumhuriyet Mah. 2253. Sok. No:11 Gebze / Kocaeli, Turkey

(111) M 2006 16485 R
(141) 2016 08 17, Not payment for prolongation of registration on the following of 10 years
(732) Kent Gida Maddeleri Sanay ve Ticaret Anonim Şirket
Cumhuriyet Mah. 2253. Sok. No:11 Gebze / Kocaeli, Turkey

(111) M 2006 16488 R
(141) 2016 08 17, Not payment for prolongation of registration on the following of 10 years
(732) E.I. DU PONT de NEMOURS and COMPANY
1007 Market Street, Wilmington, Delaware 19898, USA

(111) M 2006 16489 R
(141) 2016 08 17, Not payment for prolongation of registration on the following of 10 years
(732) E.I. DU PONT DE NEMOURS AND COMPANY
Market Street, Wilmington, Delaware 19898, USA

(111) M 2006 16490 R

(141) 2016 08 17, Not payment for prolongation of registration on the following of 10 years
(732) E.I. DU PONT DE NEMOURS AND COMPANY
Market Street, Wilmington, Delaware 19898, USA

(111) M 2006 16491 R
(141) 2016 08 17, Not payment for prolongation of registration on the following of 10 years
(732) E.I. DU PONT DE NEMOURS AND COMPANY
Market Street, Wilmington, Delaware 19898, USA

(111) M 2006 16492 R
(141) 2016 08 17, Not payment for prolongation of registration on the following of 10 years
(732) E.I. DU PONT de NEMOURS and COMPANY
1007 Market Street, Wilmington, Delaware 19898, USA

(111) M 2006 16504 R
(141) 2016 08 17, Not payment for prolongation of registration on the following of 10 years
(732) SAQARTVELOS MUDMIVMOQMEDI ARBITRAZHI
Zhiuli Shartavas q.7, 0122, Tbilisi, Georgia

(111) M 2006 16505 R
(141) 2016 08 17, Not payment for prolongation of registration on the following of 10 years
(732) LTD "POLMED-GEO"
Mrevlishvilis q.2, 0103, Tbilisi, Georgia

(111) M 1996 1651 R1
(141) 2006 02 28, Not payment for prolongation of registration on the following of 10 years
(732) L'OREAL (Societe anonyme)
14, rue Royale, 75008 Paris, France

(111) M 1996 1658 R1
(141) 2006 08 31, Not payment for prolongation of registration on the following of 10 years
(732) L'OREAL (Societe anonyme)
14, rue Royale, 75008 Paris, France

CLASSIFICATION INDEXES

INVENTIONS

CONCORDANCE TABLE OF INTERNATIONAL CLASSIFICATION INDEX AND PUBLICATION NUMBERS

INTERNATIONAL CLASSIFICATION INDEXES (51)	NUMBER OF PUBLISHED APPLICATION (10)
A 01 D 46/04; A 01 G 23/00	AP 2016 13790 A
A 01 D 46/04; A 01 G 23/00	AP 2016 13935 A
A 01 H 5/00; C 12 N 15/82; C 12 N 15/29	AP 2016 12842 A
A 01 N 25/12; A 01 N 25/14; A 01 N 39/02; A 01 N 43/40; A 01 N 43/54; A 01 N 43/76; A 01 N 43/90; A 01 N 47/36; A 01 P 13/00	AP 2016 13558 A
A 61 K 9/00; A 61 K 33/04; A 61 P 15/02	AP 2016 13231 A
A 61 K 31/21	AP 2016 13565 A
A 61 K 31/4745; B 67 B 5/00	AP 2016 13020 A
B 23 P 6/00; B 23 K 9/00	AP 2016 13930 A
C 04 B 14/04; C 04 B 14/10; C 04 B 14/20; C 04 B 28/04; B 28 B 3/006; C 04 B 111/20; C 04 B 111/27	AP 2016 13912 A
C 07 D 213/26; C 07 D 213/30; C 07 D 213/40; C 07 D 213/61; C 07 D 213/64; C 07 D 213/71; C 07 D 213/74; C 07 D 213/78; C 07 D 405/12; C 07 D 491/04; A 61 K 31/44; A 61 K 31/4355; A 61 K 31/436; A 61 K 31/505; A 61 P 25/00	AP 2016 13378 A
C 07 D 401/04; A 61 K 31/4155; A 61 K 31/454; A 61 P 29/00; A 61 P 35/00	AP 2016 13816 A
C 07 D 413/12; A 61 K 31/422; A 61 P 33/00; A 61 P 31/00	AP 2016 13660 A
C 07 D 471/04; A 61 K 31/437	AP 2016 13820 A
C 07 D 487/04; A 61 K 31/519; C 07 D 519/00; A 61 P 37/00	AP 2016 13916 A
C 08 B 37/08; C 08 L 5/08; A 61 K 31/737	AP 2016 13319 A
C 12 N 1/20; A 61 K 35/74; A 61 P 17/00; C 12 R 1/36	AP 2016 13131 A
C 12 N 15/09	AP 2016 12972 A

CONCORDANCE TABLE OF PUBLICATION NUMBERS AND INTERNATIONAL CLASSIFICATION INDEX

NUMBER OF PUBLISHED APPLICATION (10)	INTERNATIONAL CLASSIFICATION INDEXES (51)
1	2
AP 2016 12842 A	A 01 H 5/00; C 12 N 15/82; C 12 N 15/29
AP 2016 12972 A	C 12 N 15/09
AP 2016 13020 A	A 61 K 31/4745; B 67 B 5/00
AP 2016 13131 A	C 12 N 1/20; A 61 K 35/74; A 61 P 17/00; C 12 R 1/36
AP 2016 13231 A	A 61 K 9/00; A 61 K 33/04; A 61 P 15/02
AP 2016 13319 A	C 08 B 37/08; C 08 L 5/08; A 61 K 31/737
AP 2016 13378 A	C 07 D 213/26; C 07 D 213/30; C 07 D 213/40; C 07 D 213/61; C 07 D 213/64; C 07 D 213/71; C 07 D 213/74; C 07 D 213/78; C 07 D 405/12; C 07 D 491/04; A 61 K 31/44; A 61 K 31/4355; A 61 K 31/436; A 61 K 31/505; A 61 P 25/00
AP 2016 13558 A	A 01 N 25/12; A 01 N 25/14; A 01 N 39/02; A 01 N 43/40; A 01 N 43/54; A 01 N 43/76; A 01 N 43/90; A 01 N 47/36; A 01 P 13/00
AP 2016 13565 A	A 61 K 31/21

1	2
AP 2016 13660 A	C 07 D 413/12; A 61 K 31/422; A 61 P 33/00; A 61 P 31/00
AP 2016 13790 A	A 01 D 46/04; A 01 G 23/00
AP 2016 13816 A	C 07 D 401/04; A 61 K 31/4155; A 61 K 31/454; A 61 P 29/00; A 61 P 35/00
AP 2016 13820 A	C 07 D 471/04; A 61 K 31/437
AP 2016 13912 A	C 04 B 14/04; C 04 B 14/10; C 04 B 14/20; C 04 B 28/04; B 28 B 3/006; C 04 B 111/20; C 04 B 111/27
AP 2016 13916 A	C 07 D 487/04; A 61 K 31/519; C 07 D 519/00; A 61 P 37/00
AP 2016 13930 A	B 23 P 6/00; B 23 K 9/00
AP 2016 13935 A	A 01 D 46/04; A 01 G 23/00

**CONCORDANCE TABLE OF INTERNATIONAL CLASSIFICATION INDEX,
PATENT NUMBERS AND PUBLICATION NUMBERS**

INTERNATIONAL CLASSIFICATION INDEX (51)	NUMBER OF PATENT (11)	NUMBER OF PUBLISHED APPLICATION (10)
A 01 H 5/00; C 12 N 15/82; C 12 N 15/29	P 2016 6544 B	AP 2016 12837 A
A 23 L 2/00	P 2016 6546 B	AP 2016 13576 A
A 61 K 9/28; A 61 K 31/215; A 61 P 17/06	P 2016 6543 B	AP 2016 12819 A
C 07 C 67/29; C 07 C 69/18; C 07 F 7/18; C 12 P 41/00; C 07 C 47/565; C 07 C 47/575; C 07 C 51/377; C 07 C 59/72	P 2016 6548 B	AP 2016 13668 A
C 07 D 279/08; A 61 K 31/5415; A 61 P 31/06	P 2016 6545 B	AP 2016 13122 A
C 12 N 1/21; C 07 K 14/555; C 12 N 9/02; C 12 N 9/00	P 2016 6542 B	AP 2016 13338 A
E 01 D 21/00	P 2016 6549 B	AP 2016 13698 A
E 02 D 29/02; E 02 D 17/20; E 02 B 3/04	P 2016 6547 B	AP 2016 13601 A

**CONCORDANCE TABLE OF PATENT NUMBERS,
PUBLICATION NUMBERS AND INTERNATIONAL CLASSIFICATION INDEX**

NUMBER OF PATENT (11)	NUMBER OF PUBLISHED APPLICATION (10)	INTERNATIONAL CLASSIFICATION INDEX (51)
P 2016 6542 B	AP 2016 13338 A	C 12 N 1/21; C 07 K 14/555; C 12 N 9/02; C 12 N 9/00
P 2016 6543 B	AP 2016 12819 A	A 61 K 9/28; A 61 K 31/215; A 61 P 17/06
P 2016 6544 B	AP 2016 12837 A	A 01 H 5/00; C 12 N 15/82; C 12 N 15/29
P 2016 6545 B	AP 2016 13122 A	C 07 D 279/08; A 61 K 31/5415; A 61 P 31/06
P 2016 6546 B	AP 2016 13576 A	A 23 L 2/00
P 2016 6547 B	AP 2016 13601 A	E 02 D 29/02; E 02 D 17/20; E 02 B 3/04
P 2016 6548 B	AP 2016 13668 A	C 07 C 67/29; C 07 C 69/18; C 07 F 7/18; C 12 P 41/00; C 07 C 47/565; C 07 C 47/575; C 07 C 51/377; C 07 C 59/72
P 2016 6549 B	AP 2016 13698 A	E 01 D 21/00

**CONCORDANCE TABLE OF APPLICATION NUMBERS, PUBLICATION NUMBERS
AND PATENTS**

NUMBER OF APPLICATION (21)	NUMBER OF PUBLISHED APPLICATION (10)	NUMBER OF PATENT (11)
AP 2010 012819	AP 2016 12819 A	P 2016 6543 B
AP 2011 012837	AP 2016 12837 A	P 2016 6544 B
AP 2011 013122	AP 2016 13122 A	P 2016 6545 B
AP 2012 013338	AP 2016 13338 A	P 2016 6542 B
AP 2014 013576	AP 2016 13576 A	P 2016 6546 B
AP 2013 013601	AP 2016 13601 A	P 2016 6547 B
AP 2013 013668	AP 2016 13668 A	P 2016 6548 B
AP 2015 013698	AP 2016 13698 A	P 2016 6549 B

UTILITY MODELS

**CONCORDANCE TABLE OF INTERNATIONAL CLASSIFICATION INDEX
AND PUBLICATION NUMBERS**

INTERNATIONAL CLASSIFICATION INDEXES (51)	NUMBER OF PUBLISHED APPLICATION (10)
A 61 K 9/10; A 61 K 36/00	AU 2016 13963 U
A 61 K 47/06, 47/30, 35/12, 35/56	AU 2016 13993 U
B 66 B 3/00; B 66 B 5/00; G 02 B 25/10	AU 2016 13928 U
C 25 D 3/44	AU 2016 13873 U
F 26 B 17/22; F 26 B 17/18	AU 2016 13885 U

**CONCORDANCE TABLE OF PUBLICATION NUMBERS
AND INTERNATIONAL CLASSIFICATION INDEX**

NUMBER OF PUBLISHED APPLICATION (10)	INTERNATIONAL CLASSIFICATION INDEXES (51)
AU 2016 13873 U	C 25 D 3/44
AU 2016 13885 U	F 26 B 17/22; F 26 B 17/18
AU 2016 13928 U	B 66 B 3/00; B 66 B 5/00; G 02 B 25/10
AU 2016 13963 U	A 61 K 9/10; A 61 K 36/00
AU 2016 13993 U	A 61 K 47/06, 47/30, 35/12, 35/56

**CONCORDANCE TABLE OF INTERNATIONAL CLASSIFICATION INDEX,
PATENT NUMBERS AND PUBLICATION NUMBERS**

INTERNATIONAL CLASSIFICATION INDEX (51)	NUMBER OF PATENT (11)	NUMBER OF PUBLISHED APPLICATION (10)
F 16 D 69/02	U 2016 1907 Y	AU 2016 13693 U

**CONCORDANCE TABLE OF PATENT NUMBERS,
PUBLICATION NUMBERS AND INTERNATIONAL CLASSIFICATION INDEX**

NUMBER OF PATENT (11)	NUMBER OF PUBLISHED APPLICATION (10)	INTERNATIONAL CLASSIFICATION INDEX (51)
U 2016 1907 Y	AU 2016 13693 U	F 16 D 69/02

**CONCORDANCE TABLE OF APPLICATION NUMBERS, PUBLICATION NUMBERS
AND PATENTS**

NUMBER OF APPLICATION (21)	NUMBER OF PUBLISHED APPLICATION (10)	NUMBER OF PATENT (11)
AU 2015 013693	AU 2016 13693 U	U 2016 1907 Y

DESIGNS

REGISTERED DESIGN

**CONCORDANCE TABLE OF INTERNATIONAL CLASSIFICATION INDEX,
PATENT NUMBERS AND PUBLICATION NUMBERS**

INTERNATIONAL CLASSIFICATION INDEX (51)	NUMBER OF PATENT (11)	NUMBER OF PUBLISHED APPLICATION (10)
27-99	D 2016 691 S	AD 2016 901 S

**CONCORDANCE TABLE OF PATENT NUMBERS,
PUBLICATION NUMBERS AND INTERNATIONAL CLASSIFICATION INDEX**

NUMBER OF PATENT (11)	NUMBER OF PUBLISHED APPLICATION (10)	INTERNATIONAL CLASSIFICATION INDEX (51)
D 2016 691 S	AD 2016 901 S	27-99

**CONCORDANCE TABLE OF APPLICATION NUMBERS, PUBLICATION NUMBERS
AND PATENTS**

NUMBER OF APPLICATION (21)	NUMBER OF PUBLISHED APPLICATION (10)	NUMBER OF PATENT (11)
AD 2016 000901	AD 2016 901 S	D 2016 691 S

TRADEMARKS

CONCORDANCE TABLE OF REGISTRATION NUMBERS, APPLICATION NUMBERS, PUBLICATION NUMBERS AND BULLETIN NUMBERS

NUMBER OF REGISTRATION (111)	NUMBER OF APPLICATIONS (210)	NUMBER OF PUBLISHED APPLICATIONS (260)	NUMBER OF BULLETIN
M 2016 27565 R	AM 88396	-	18(454)2016
M 2016 27566 R	AM 88372	-	18(454)2016
M 2016 27567 R	AM 88459	-	18(454)2016
M 2016 27568 R	AM 88458	-	18(454)2016
M 2016 27569 R	AM 77157	AM 2016 77157 A	7(443)2016
M 2016 27570 R	AM 77627	AM 2016 77627 A	8(444)2016
M 2016 27571 R	AM 80516	AM 2016 80516 A	7(443)2016
M 2016 27572 R	AM 81626	AM 2016 81626 A	4(440)2016
M 2016 27573 R	AM 81693	AM 2015 81693 A	24(436)2015
M 2016 27574 R	AM 81709	AM 2016 81709 A	3(439)2016
M 2016 27575 R	AM 81725	AM 2016 81725 A	4(440)2016
M 2016 27576 R	AM 81926	AM 2016 81926 A	4(440)2016
M 2016 27577 R	AM 82235	AM 2016 82235 A	6(442)2016
M 2016 27578 R	AM 82236	AM 2016 82236 A	6(442)2016
M 2016 27579 R	AM 82343	AM 2016 82343 A	7(443)2016
M 2016 27580 R	AM 82570	AM 2016 82570 A	7(443)2016
M 2016 27581 R	AM 82620	AM 2016 82620 A	5(441)2016
M 2016 27582 R	AM 82621	AM 2016 82621 A	5(441)2016
M 2016 27583 R	AM 82640	AM 2016 82640 A	6(442)2016
M 2016 27584 R	AM 82740	AM 2016 82740 A	5(441)2016
M 2016 27585 R	AM 82870	AM 2016 82870 A	5(441)2016
M 2016 27586 R	AM 82871	AM 2016 82871 A	5(441)2016
M 2016 27587 R	AM 82874	AM 2016 82874 A	6(442)2016
M 2016 27588 R	AM 83052	AM 2016 83052 A	7(443)2016
M 2016 27589 R	AM 83110	AM 2016 83110 A	6(442)2016
M 2016 27590 R	AM 83117	AM 2016 83117 A	10(446)2016
M 2016 27591 R	AM 83249	AM 2016 83249 A	5(441)2016
M 2016 27592 R	AM 83263	AM 2016 83263 A	7(443)2016
M 2016 27593 R	AM 83265	AM 2016 83265 A	8(444)2016
M 2016 27594 R	AM 83268	AM 2016 83268 A	11(447)2016
M 2016 27595 R	AM 83322	AM 2016 83322 A	7(443)2016
M 2016 27596 R	AM 83408	AM 2016 83408 A	7(443)2016
M 2016 27597 R	AM 83586	AM 2016 83586 A	10(446)2016
M 2016 27598 R	AM 83607	AM 2016 83607 A	7(443)2016
M 2016 27599 R	AM 83608	AM 2016 83608 A	7(443)2016
M 2016 27600 R	AM 83609	AM 2016 83609 A	7(443)2016
M 2016 27601 R	AM 83610	AM 2016 83610 A	7(443)2016
M 2016 27602 R	AM 83631	AM 2016 83631 A	7(443)2016
M 2016 27603 R	AM 83682	AM 2016 83682 A	8(444)2016
M 2016 27604 R	AM 83702	AM 2016 83702 A	7(443)2016
M 2016 27605 R	AM 83729	AM 2016 83729 A	9(445)2016
M 2016 27606 R	AM 83730	AM 2016 83730 A	9(445)2016
M 2016 27607 R	AM 83731	AM 2016 83731 A	9(445)2016
M 2016 27608 R	AM 83736	AM 2016 83736 A	9(445)2016
M 2016 27609 R	AM 83738	AM 2016 83738 A	10(446)2016
M 2016 27610 R	AM 83753	AM 2016 83753 A	9(445)2016
M 2016 27611 R	AM 83119	AM 2016 83119 A	7(443)2016

1	2	3	4
M 2016 27612 R	AM 83833	AM 2016 83833 A	10(446)2016
M 2016 27613 R	AM 83880	AM 2016 83880 A	9(445)2016
M 2016 27614 R	AM 83883	AM 2016 83883 A	9(445)2016
M 2016 27615 R	AM 84013	AM 2016 84013 A	8(444)2016
M 2016 27616 R	AM 84015	AM 2016 84015 A	9(445)2016
M 2016 27617 R	AM 84019	AM 2016 84019 A	9(445)2016
M 2016 27618 R	AM 84026	AM 2016 84026 A	9(445)2016
M 2016 27619 R	AM 84030	AM 2016 84030 A	9(445)2016
M 2016 27620 R	AM 84061	AM 2016 84061 A	8(444)2016
M 2016 27621 R	AM 84062	AM 2016 84062 A	7(443)2016
M 2016 27622 R	AM 84081	AM 2016 84081 A	8(444)2016
M 2016 27623 R	AM 84223	AM 2016 84223 A	8(444)2016
M 2016 27624 R	AM 84224	AM 2016 84224 A	8(444)2016
M 2016 27625 R	AM 84264	AM 2016 84264 A	10(446)2016
M 2016 27626 R	AM 88367	-	18(454)2016
M 2016 27627 R	AM 88368	-	18(454)2016
M 2016 27628 R	AM 88369	-	18(454)2016
M 2016 27629 R	AM 88370	-	18(454)2016
M 2016 27630 R	AM 88481	-	18(454)2016
M 2016 27631 R	AM 88410	-	18(454)2016
M 2016 27632 R	AM 88411	-	18(454)2016

CONCORDANCE TABLE OF PUBLICATION NUMBERS
AND APPLICATION NUMBERS

NUMBER OF PUBLISHED APPLICATION (260)	NUMBER OF APPLICATION (210)	1	2
		1	2
AM 2016 84934 A	AM 84934 A	AM 2016 85237 A	AM 85237 A
AM 2016 84952 A	AM 84952 A	AM 2016 85306 A	AM 85306 A
AM 2016 85083 A	AM 85083 A	AM 2016 85736 A	AM 85736 A
AM 2016 85084 A	AM 85084 A	AM 2016 85749 A	AM 85749 A
AM 2016 85086 A	AM 85086 A	AM 2016 85751 A	AM 85751 A
AM 2016 85109 A	AM 85109 A	AM 2016 85755 A	AM 85755 A
AM 2016 85115 A	AM 85115 A	AM 2016 85763 A	AM 85763 A
AM 2016 85236 A	AM 85236 A	AM 2016 85765 A	AM 85765 A
		AM 2016 85825 A	AM 85825 A
		AM 2016 85887 A	AM 85887 A
		AM 2016 85892 A	AM 85892 A
		AM 2016 85990 A	AM 85990 A
		AM 2016 86130 A	AM 86130 A

**CONCORDANCE TABLE OF INDEX OF GOODS AND/OR SERVICES
AND APPLICATION NUMBERS**

INDEX OF GOODS AND/OR SERVICES (511)	NUMBER OF PUBLISHED APPLICATIONS (26)	1	2
1	2	34	AM 2016 85237 A
3	AM 2016 85749 A	35	AM 2016 85083 A
3	AM 2016 85751 A	35	AM 2016 85084 A
3	AM 2016 85755 A	35	AM 2016 85086 A
3	AM 2016 85892 A	35	AM 2016 85109 A
5	AM 2016 85892 A	35	AM 2016 85306 A
5	AM 2016 85990 A	35	AM 2016 85892 A
25	AM 2016 85306 A	36	AM 2016 85083 A
29	AM 2016 85736 A	36	AM 2016 85084 A
30	AM 2016 84952 A	36	AM 2016 85086 A
30	AM 2016 85887 A	36	AM 2016 86130 A
30	AM 2016 85887 A	39	AM 2016 86130 A
32	AM 2016 84952 A	41	AM 2016 85083 A
33	AM 2016 84934 A	41	AM 2016 85084 A
33	AM 2016 85763 A	41	AM 2016 85086 A
33	AM 2016 85765 A	43	AM 2016 85083 A
33	AM 2016 85765 A	43	AM 2016 85084 A
34	AM 2016 85115 A	43	AM 2016 85086 A
34	AM 2016 85236 A	43	AM 2016 85825 A
		43	AM 2016 85887 A
		43	AM 2016 86130 A

**CONCORDANCE TABLE OF INDEX OF GOODS AND/OR SERVICES
AND NUMBERS OF TRADEMARKS REGISTERED ACCORDING
TO THE ACCELERATED PROCEDURE**

INDEX OF GOODS AND/OR SERVICES (511)	NUMBERS OF REGISTERED ACCORDING TO THE ACCELERATED PROCEDURE (111)
3	M 2016 27565 R
35	M 2016 27626 R
35	M 2016 27627 R
35	M 2016 27628 R
35	M 2016 27629 R
35	M 2016 27630 R
39	M 2016 27631 R
39	M 2016 27632 R
43	M 2016 27626 R
43	M 2016 27627 R
43	M 2016 27628 R
43	M 2016 27629 R
43	M 2016 27630 R
44	M 2016 27566 R
44	M 2016 27568 R
44	M 2016 27567 R

OFFICIAL BULLETIN OF THE INDUSTRIAL PROPERTY

18(454)

EDITOR-IN-CHIEF: N. Bebrishvili

EDITORS-TRANSLATORS: E. Gabunia

PROOFREADER: A. Shikhashvili

COMPUTER LAYOUT: M. Ordenidze
K. Svanidze

www.sakpatenti.org.ge

E-mail: info@sakpatenti.org.ge